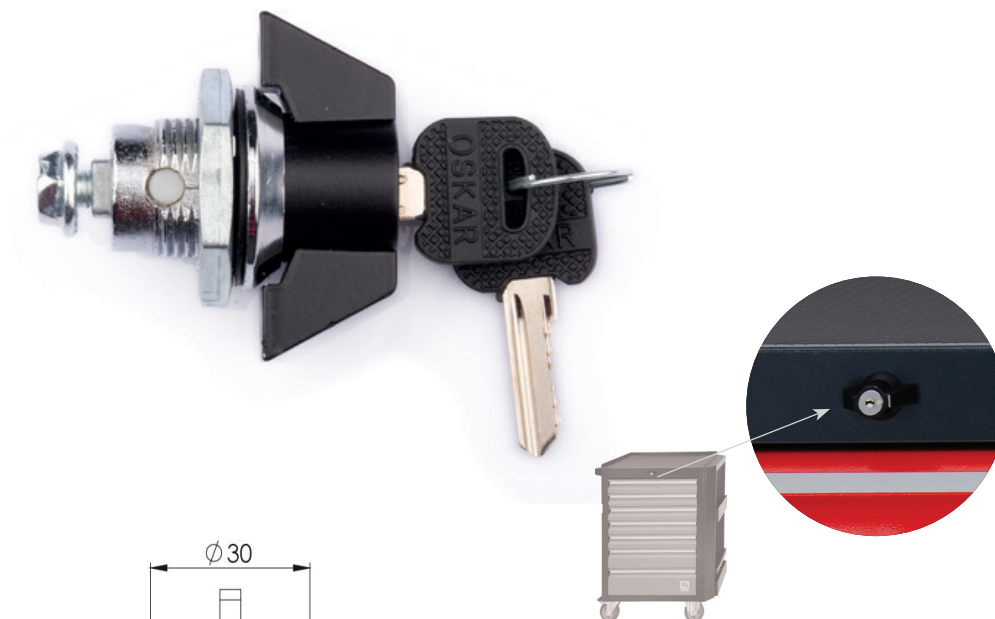




Datasheet

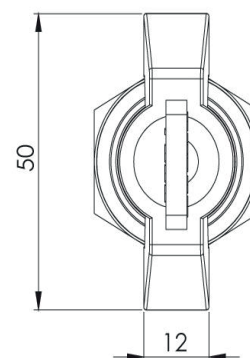
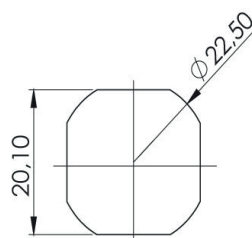
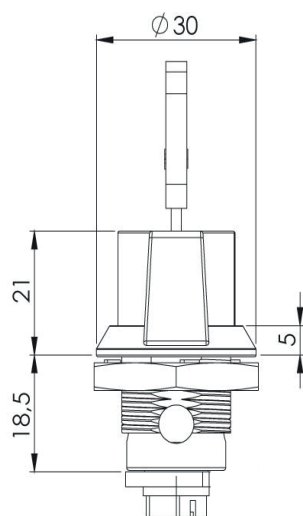
RS PRO Tool Cabinet Spare Lock

EN



Product features:

- Body : Zinc Alloy
- Insert : Zinc Alloy
- Nut : Zinc Alloy
- Cam : Steel
- Gasket : Rubber
- Key Rotation Angle 90°



RS PRO Tool Cabinets Contains Lock:

1253045, 8755789, 8335900, 8335903, 8335916, 1253044, 7531573, 7531576, 7531570, 7531589, 7531582, 7531598, 1253046, 1253047, 1253048

RS CODE NO	h mm	W mm	L mm	 gr
1944704	50	50	30	20