



Brand of NTN Group

Technical data

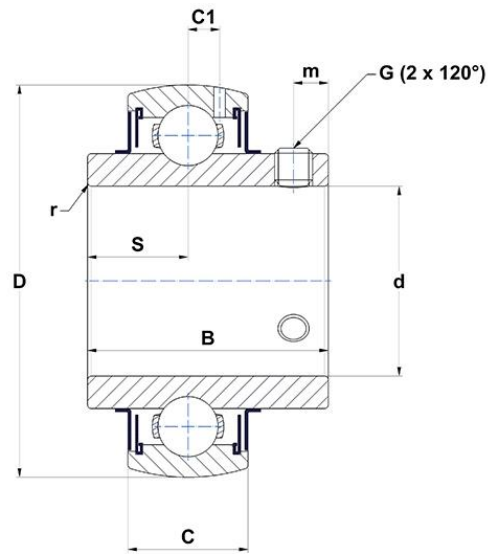
UC216G2T20

Insert bearings



Spherical outer diameter, fixing by socket set screw, labyrinth seal, for high-temp. applications

VISUAL (S)



PRODUCT DEFINITION

Brand	SNR
B - Width of Inner Ring	82,6 mm
C - Width of Outer Ring	33 mm
C1 - Distance center of OR to center of lubrication zone	10,3 mm
d - Shaft diameter	80 mm
D - Outer diameter of OR	140 mm
G - Set screw size	M12x1,25
m - Distance to set screw	14 mm



NTN Europe

1 rue des Usines · BP 2017 · 74010 Annecy Cedex · France · Tel. +33 (0)4 50 65 30 00
S.A. au capital de 322 639 919 € · RCS ANNECY B 325 821 072 · Id. Fiscale : FR 48 325 821 072
SIRET 325 821 072 00015 · Code APE 2815 Z · Code NACE 28.15

PRODUCT DEFINITION

r - Radius Inner Ring	2
S - Distance front side/bearing centre	33,3 mm
f0 - Factor	14.7
SW - Wrench size	6 mm

PRODUCT PERFORMANCE

C - Dynamic load rating	72500000 mN
C0 - Static load rating	54200000 mN
Operating temperature min.	253,15 °K
Operating temperature max.	473,15 °K

OTHER FEATURES

Mass	2,79 kg
Recommended tightening torque for set screw	33 N-m

BEARING FREQUENCIES

BPFO - Over rolling frequency on outer ring (60 rpm)	4.13409090909091 Hz
BPMF - Over rolling frequency on inner (60 rpm)	5.86590909090909 Hz
BSF - Over rolling frequency on rolling element (60 rpm)	5.60109639704128 Hz
BRF - Rotational frequency - rolling element (60 rpm)	2.80054819852064 Hz
FTF - Rotational frequency - cage (60 rpm)	0.413409090909091 Hz

