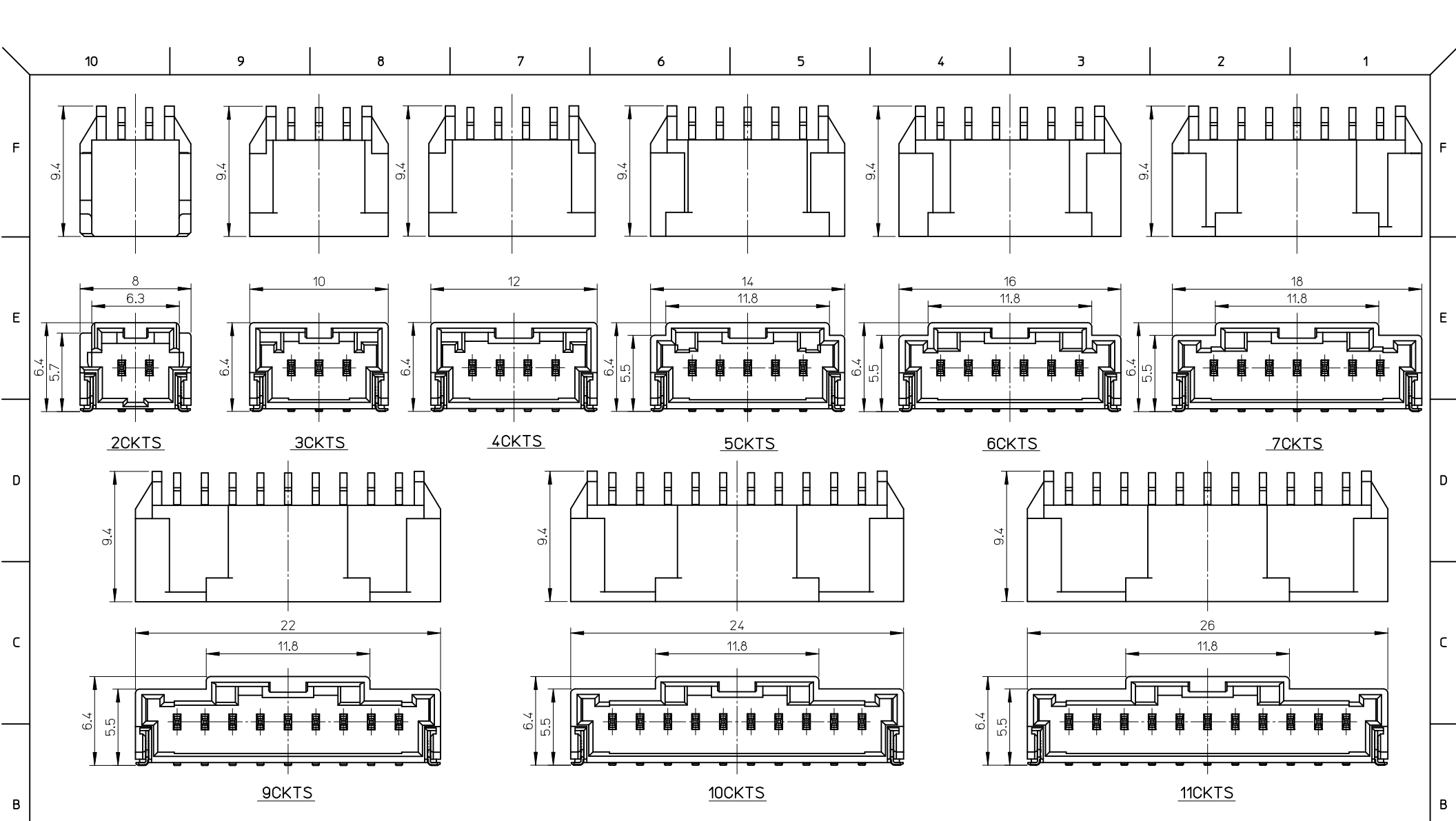


注記 NOTES

- 材質
ハウジング: 耐熱性ナイロン UL94V-0
ピン: 銅合金、ニッケル下地、錫メッキ、金メッキ
フィッティングネール: 銅合金、ニッケル下地、錫メッキ
MATERIAL
HOUSING: POLYAMIDE UL94V-0
PIN: COPPER ALLOY, GOLD OR TIN OVER NICKEL PLATE.
FITTING NAIL: COPPER ALLOY, TIN OVER NICKEL PLATE.
- 色: ナチュラル、黒
COLOR: NATURAL, BLACK
- 嵌合相手
ハウジング: 502351-**0*
錫メッキ端子: 50212-8*00, 50372-8*00, 560085-0101
金メッキ端子: 56161-8*81
MATES WITH
HOUSING: 502351-**0*
SN PLATING TERMINAL: 50212-8*00, 50372-8*00, 560085-0101
AU PLATING TERMINAL: 56161-8*81
- エンボス梱包品の詳細はSD-502352-002参照
DETAILED TAPING PACKAGE, SEE SD-502352-002.
- ELV及びRoHS適合
ELV AND RoHS COMPLIANT
- 半田付け面のコプラナリティ: 0.1mm MAX.
CO-PLANARITY OF SOLDERING TAILS TO BE 0.1mm MAX.

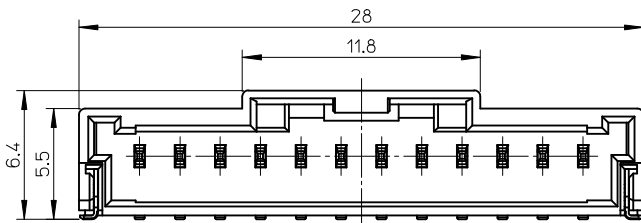
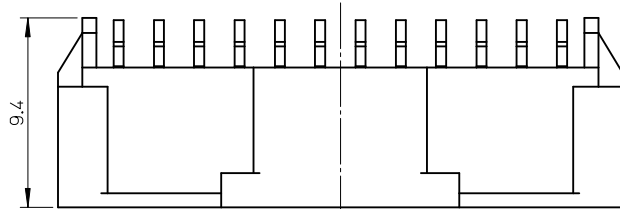
- 一般公差
GENERAL TOLERANCES
10 UNDER: 0.2
10 OVER 30 UNDER: 0.25
30 OVER: 0.3
ANGULAR: ±3°

| | | | | | | | | | | | |
|--|---|---------------------------------------|----------------------|--|---------------------|---------------------------|------------------------|------------------------|-------------------------------|---|--|
| REVISED EC NO: JTR2015-0089 DRWN: Y.TAMAKI 2015/02/18 CHKD: H.KOMATSU 2015/02/18 APPR: M.YAMAMOTO 2015/04/28 | QUALITY SYMBOLS ▽E=0 ▽F=0 ▽P=0 | GENERAL TOLERANCES (UNLESS SPECIFIED) | | DIMENSION STYLE MM ONLY | | SCALE 5:1 | DESIGN UNITS METRIC | THIRD ANGLE PROJECTION | | | |
| | | 4 PLACES ± --- ± --- | 3 PLACES ± --- ± --- | 2 PLACES ± --- ± --- | 1 PLACE ± --- ± --- | 0 PLACE ± --- ± --- | DRAWN BY SHSHIBATA | | DATE 2007/12/18 | TITLE 2.0MM PITCH W/B CONN. WAFER ASSY R/A SMT | |
| | | ANGULAR ± - ° | | DRAFT WHERE APPLICABLE MUST REMAIN WITHIN DIMENSIONS | | APPROVED BY AKANESHIGE | | DATE 2007/12/18 | DOCUMENT NO. SD-502352-001 | | |
| | | SIZE A3 | | THIS DRAWING CONTAINS INFORMATION THAT IS PROPRIETARY TO MOLEX INCORPORATED AND SHOULD NOT BE USED WITHOUT WRITTEN PERMISSION | | | | | | SHEET NO. 1 OF 4 | |

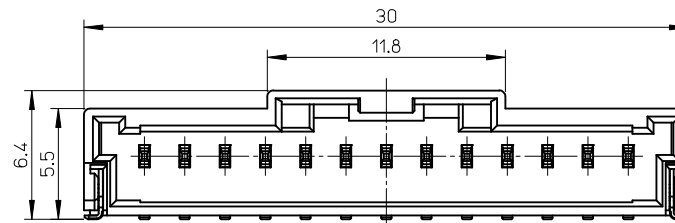
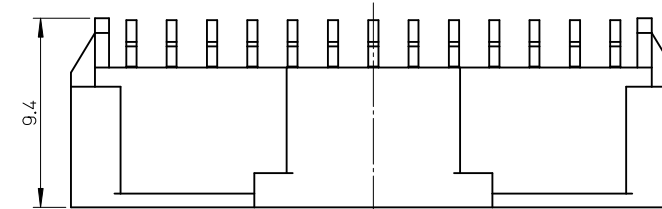


| REVISED EC NO: JTR2015-0089 DRWN: Y. TANAKI 2015/02/18 CHKD: H. KOMATSU 2015/02/18 APPR: M. YAMAMOTO 2015/04/28 | QUALITY SYMBOLS $\nabla = 0$ $\nabla = 0$ $\nabla = 0$ | GENERAL TOLERANCES (UNLESS SPECIFIED) | | DIMENSION STYLE MM ONLY | SCALE 4:1 | DESIGN UNITS METRIC | THIRD ANGLE PROJECTION | | | | | | | | | | | | | | | | | | |
|--|--|--|--------------------------------------|---|---------------------|-------------------------------|------------------------|---------|----------|--------|---------|----------|--------|---------|---------|--------|---------|---------|--------|---------|--|--|--|--|--|
| | | <table border="1"> <thead> <tr> <th></th> <th>mm</th> <th>INCH</th> </tr> </thead> <tbody> <tr> <td>4 PLACES</td> <td>± 0.10</td> <td>± 0.004</td> </tr> <tr> <td>3 PLACES</td> <td>± 0.15</td> <td>± 0.006</td> </tr> <tr> <td>2 PLACES</td> <td>± 0.20</td> <td>± 0.008</td> </tr> <tr> <td>1 PLACE</td> <td>± 0.30</td> <td>± 0.012</td> </tr> <tr> <td>0 PLACE</td> <td>± 0.40</td> <td>± 0.016</td> </tr> </tbody> </table> | | mm | INCH | 4 PLACES | ± 0.10 | ± 0.004 | 3 PLACES | ± 0.15 | ± 0.006 | 2 PLACES | ± 0.20 | ± 0.008 | 1 PLACE | ± 0.30 | ± 0.012 | 0 PLACE | ± 0.40 | ± 0.016 | DRAWN BY: SHSHIBATA CHECKED BY: HKOMATSU APPROVED BY: AKANESHIGE | DATE: 2007/12/18 DATE: 2007/12/18 DATE: 2007/12/18 | TITLE 2.0MM PITCH W/B CONN. WAFER ASSY R/A SMT | | |
| | | | mm | INCH | | | | | | | | | | | | | | | | | | | | | |
| | | 4 PLACES | ± 0.10 | ± 0.004 | | | | | | | | | | | | | | | | | | | | | |
| 3 PLACES | ± 0.15 | ± 0.006 | | | | | | | | | | | | | | | | | | | | | | | |
| 2 PLACES | ± 0.20 | ± 0.008 | | | | | | | | | | | | | | | | | | | | | | | |
| 1 PLACE | ± 0.30 | ± 0.012 | | | | | | | | | | | | | | | | | | | | | | | |
| 0 PLACE | ± 0.40 | ± 0.016 | | | | | | | | | | | | | | | | | | | | | | | |
| ANGULAR ± 0.5° DRAFT WHERE APPLICABLE MUST REMAIN WITHIN DIMENSIONS | SEE CHART | | DOCUMENT NO. SD-502352-001 | | | SHEET NO. 2 OF 4 | | | | | | | | | | | | | | | | | | | |
| REV | DESCRIPTION | SIZE A3 | | THIS DRAWING CONTAINS INFORMATION THAT IS PROPRIETARY TO MOLEX INCORPORATED AND SHOULD NOT BE USED WITHOUT WRITTEN PERMISSION | | | | | | | | | | | | | | | | | | | | | |

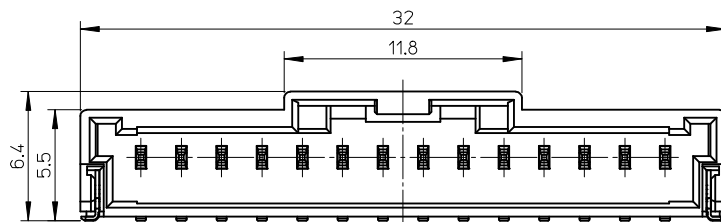
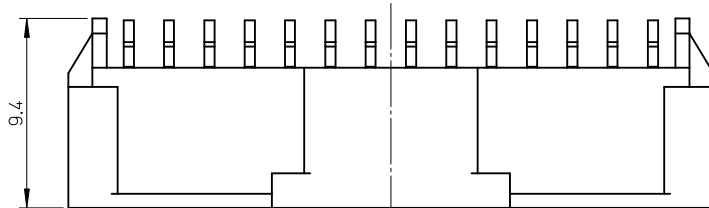
10 9 8 7 6 5 4 3 2 1



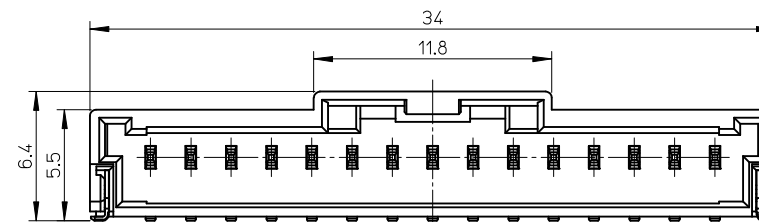
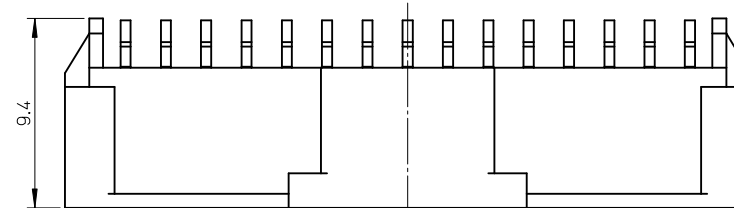
12CKTS



13CKTS



14CKTS



15CKTS

| | | | | | | | | | |
|--|---|---------------------------------------|----------------------|--|---------------------|-------------------------------|--|--------------------------------------|--|
| REVISED EC NO: JTR2015-0089 DRWN: Y. TAKAKI 2015/02/18 CHKD: H. KOMATSU 2015/02/18 APPR: M. YAMAMOTO 2015/04/28 | QUALITY SYMBOLS ∇ = 0 ∇ = 0 ∇ = 0 | GENERAL TOLERANCES (UNLESS SPECIFIED) | | DIMENSION STYLE MM ONLY | SCALE 4:1 | DESIGN UNITS METRIC | THIRD ANGLE PROJECTION | | |
| | | 4 PLACES ± --- ± --- | 3 PLACES ± --- ± --- | 2 PLACES ± --- ± --- | 1 PLACE ± --- ± --- | 0 PLACE ± ± | TITLE 2.0MM PITCH W/B CONN. WAFER ASSY R/A SMT | | |
| | | ANGULAR ± - ° | | DRAFT WHERE APPLICABLE MUST REMAIN WITHIN DIMENSIONS | | DRAWN BY SHSHIBATA | DATE 2007/12/18 | DOCUMENT NO. SD-502352-001 | |
| | | SEE CHART | | MATERIAL NO. | | APPROVED BY AKANESHIGE | | DATE 2007/12/18 | |



SHEET NO.
3 OF 4

9 8 7 6 5 4 3 2 1

| | 10 | 9 | 8 | 7 | 6 | 5 | 4 | 3 | 2 | 1 | | | | |
|---|---------------|----------------------------------|-------------|----------------------------|---------------|----------------------------------|---------------|----|----------------------------|------|--|--|--|--|
| F | Sn NATURAL | 34.0 | 502352-1500 | 15 | Au NATURAL | 34.0 | 502352-1510 | 15 | | | | | | |
| | | 32.0 | 502352-1400 | 14 | | 32.0 | 502352-1410 | 14 | | | | | | |
| | | 30.0 | 502352-1300 | 13 | | 30.0 | 502352-1310 | 13 | | | | | | |
| | | 28.0 | 502352-1200 | 12 | | 28.0 | 502352-1210 | 12 | | | | | | |
| | | 26.0 | 502352-1100 | 11 | | 26.0 | 502352-1110 | 11 | | | | | | |
| | | 24.0 | 502352-1000 | 10 | | 24.0 | 502352-1010 | 10 | | | | | | |
| | | 22.0 | 502352-0900 | 9 | | 22.0 | 502352-0910 | 9 | | | | | | |
| | | 20.0 | 502352-0800 | 8 | | 20.0 | 502352-0810 | 8 | | | | | | |
| | | 18.0 | 502352-0700 | 7 | | 18.0 | 502352-0710 | 7 | | | | | | |
| | | 16.0 | 502352-0600 | 6 | | 16.0 | 502352-0610 | 6 | | | | | | |
| E | | 14.0 | 502352-0500 | 5 | | 14.0 | 502352-0510 | 5 | | | | | | |
| | | 12.0 | 502352-0400 | 4 | | 12.0 | 502352-0410 | 4 | | | | | | |
| | | 10.0 | 502352-0300 | 3 | | 10.0 | 502352-0310 | 3 | | | | | | |
| | | 8.0 | 502352-0200 | 2 | | 8.0 | 502352-0210 | 2 | | | | | | |
| | | PLATING COLOR | A | EMBOSSED PACKAGE ORDER NO. | | CKTS | PLATING COLOR | A | EMBOSSED PACKAGE ORDER NO. | CKTS | | | | |
| | | CONNECTOR SERIES NO. 502352-**08 | | | | CONNECTOR SERIES NO. 502352-**18 | | | | | | | | |

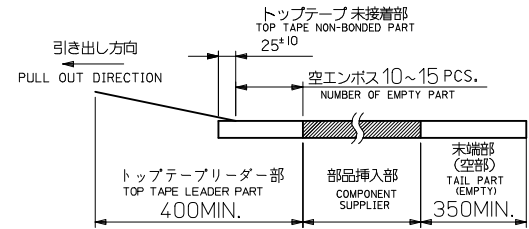
| | | | | | |
|---|-------------|----------------------------------|-------------|----------------------------|------|
| D | Sn BLACK | | | 15 | |
| | | | | 14 | |
| | | | | 13 | |
| | | | | 12 | |
| | | | | 11 | |
| | | | | 10 | |
| | | | | 9 | |
| | | 20.0 | 502352-0801 | 8 | |
| | | 18.0 | 502352-0701 | 7 | |
| | | 16.0 | 502352-0601 | 6 | |
| C | | 14.0 | 502352-0501 | 5 | |
| | | 12.0 | 502352-0401 | 4 | |
| | | 10.0 | 502352-0301 | 3 | |
| | | 8.0 | 502352-0201 | 2 | |
| | | PLATING COLOR | A | EMBOSSED PACKAGE ORDER NO. | CKTS |
| | | CONNECTOR SERIES NO. 502352-**28 | | | |

B

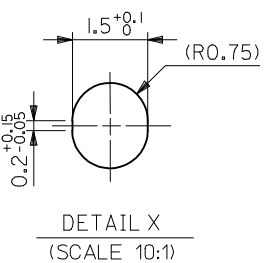
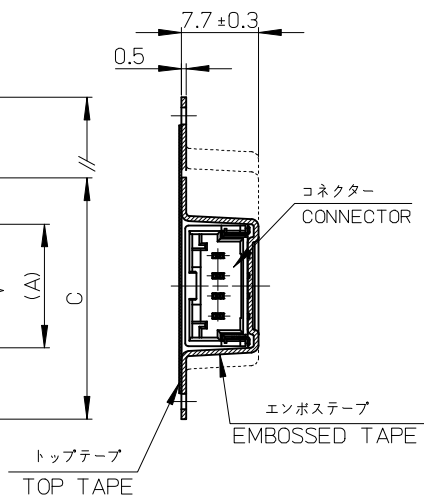
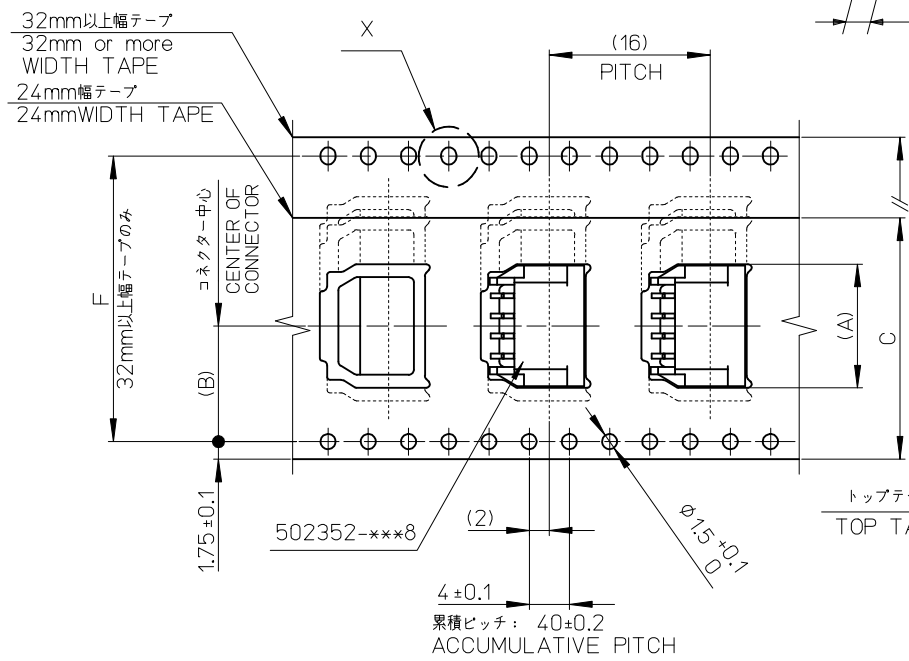
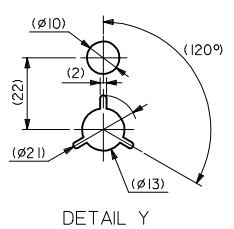
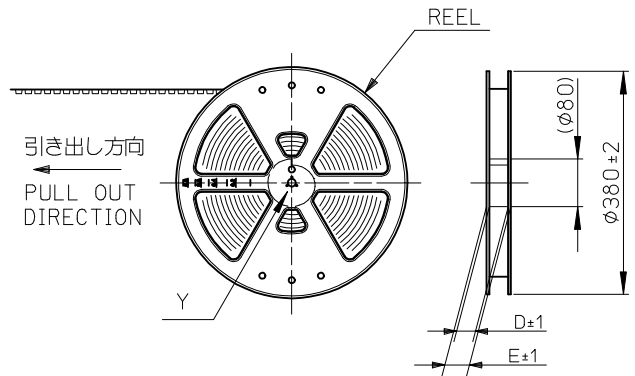
| | | | | | | | |
|---|--|---|----------------------|---------------|--|--------------|------------------------|
| REVISED EC NO: JTR2015-0089 DRWN:Y.TAMAKI 2015/02/18 CHKD:HKOMATSU 2015/02/18 APPR: MAYAMOTO 2015/04/28 | QUALITY SYMBOLS F _A =0 F _G =0 F _P =0 | GENERAL TOLERANCES (UNLESS SPECIFIED) | DIMENSION STYLE | | SCALE | DESIGN UNITS | THIRD ANGLE PROJECTION |
| | | | MM ONLY | | 5:1 | METRIC | |
| | | | DRAWN BY DATE | | TITLE | | |
| | | | SHSHIBATA 2007/12/18 | | 2.0MM PITCH W/B CONN. WAFER ASSY R/A SMT | | |
| CHECKED BY DATE | | APPROVED BY DATE | | | | | |
| HKOMATSU 2007/12/18 | | AKANESHIGE 2007/12/18 | | | | | |
| DRAFT WHERE APPLICABLE MUST REMAIN WITHIN DIMENSIONS | | MATERIAL NO. | | DOCUMENT NO. | | SHEET NO. | |
| | | SEE CHART | | SD-502352-001 | | 4 OF 4 | |
| | | THIS DRAWING CONTAINS INFORMATION THAT IS PROPRIETARY TO MOLEX INCORPORATED AND SHOULD NOT BE USED WITHOUT WRITTEN PERMISSION | | | | | |

注記
NOTES

- 製品番号
ナチュラル: 502352-***0
黒: 502352-***1
詳細寸法については、製品単体図面を参照下さい。
PART NO.
NATURAL: 502352-***0
BLACK: 502352-***1
SEE SALES DRAWING FOR CONNECTOR
- 梱包数量: 700個/リール
NUMBER OF CONNECTORS 700PCS/REEL
- リードテープ長さ
LEAD TAPE LENGHT



- 材料
MATERIAL
キャリアテープ: ポリスチレン
CARRIER TAPE: POLYSTYRENE
トップテープ: PET, PE, PEF
TOP TAPE: PET, PE, PEF
リール: ポリスチレン
REEL: POLYSTYRENE
- 一般降参
GENERAL TOLERANCES
10 UNDER: 0.2
10 OVER 30 UNDER: 0.25
30 OVER: 0.3
ANGULAR: ±1°



引き出し方向
PULL OUT DIRECTION

エンボステープ内の製品の向き
DIRECTION OF CONNECTOR
IN EMBOSSED TAPE

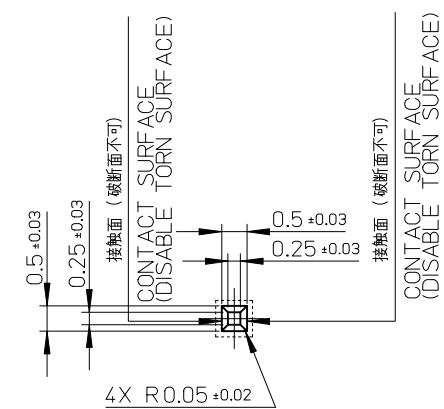
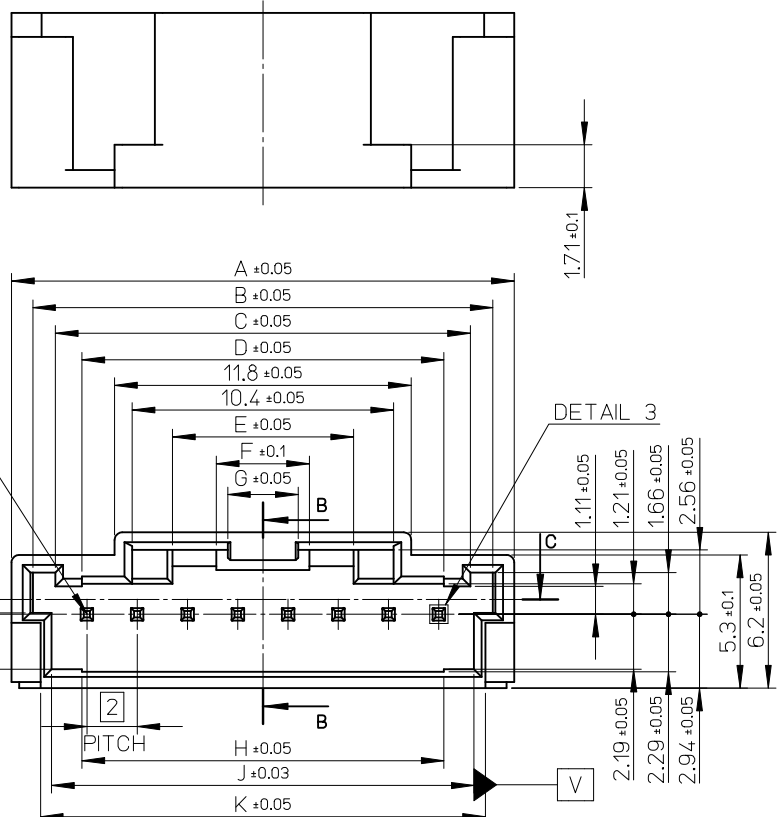
| | | | | | | | | | | |
|--|--------------------------------------|---------------------------------------|--------------|----------------------------|-------------------------------|--------------------|---|------------------------|--|--|
| REVISED EC NO: JTR2015-0089 DRWN: YAMAKI 2015/03/03 CHKD: KOMATSU 2015/03/03 APPR: MAYAMOTO 2015/04/28 | QUALITY SYMBOLS ▽=0 △=0 ◇=0 | GENERAL TOLERANCES (UNLESS SPECIFIED) | | DIMENSION STYLE MM ONLY | | SCALE | DESIGN UNITS METRIC | THIRD ANGLE PROJECTION | | |
| | | 4 PLACES | ±--- | ±--- | DRAWN BY SHSHIBATA | DATE 2007/6/6 | TITLE 2.0MM PITCH W/B CONN. WAFER ASSY EMBOSSED TAPE PACKAGE | | | |
| | | 3 PLACES | ±--- | ±--- | CHECKED BY TAITO | DATE 2007/6/6 | molex | | | |
| | | 2 PLACES | ±--- | ±--- | APPROVED BY MAYAMOTO | DATE 2012/03/14 | | | | |
| 1 PLACE | ±--- | ±--- | MATERIAL NO. | | DOCUMENT NO. SD-502352-002 | | SHEET NO. 1 OF 2 | | | |
| 0 PLACE | ±--- | ±--- | ANGULAR ± ° | | SEE CHART | | THIS DRAWING CONTAINS INFORMATION THAT IS PROPRIETARY TO MOLEX INCORPORATED AND SHOULD NOT BE USED WITHOUT WRITTEN PERMISSION | | | |

| | | | | | | | | | | | | | | | | | | | | | | |
|---------------|---------------|------|------|------|-----|------|---------------------------------|-------------|---------------|---------------|------|------|------|------|------|---------------------------------|-------------|----|--|--|---|---|
| | 10 | 9 | | | | 8 | | | 7 | 6 | | | | 5 | | | 4 | 3 | | | 2 | 1 |
| F | Sn NATURAL | 52.4 | 61.4 | 57.4 | 56 | 26.2 | 34.3 | 502352-1500 | 15 | Au NATURAL | 52.4 | 61.4 | 57.4 | 56 | 26.2 | 34.3 | 502352-1510 | 15 | | | | |
| | | | | | | | 32.3 | 502352-1400 | 14 | | | | | | | 32.3 | 502352-1410 | 14 | | | | |
| | | | | | | | 30.3 | 502352-1300 | 13 | | | | | | | 30.3 | 502352-1310 | 13 | | | | |
| | | | | | | | 28.3 | 502352-1200 | 12 | | | | | | | 28.3 | 502352-1210 | 12 | | | | |
| | | 40.4 | 49.4 | 45.4 | 44 | 20.2 | 26.3 | 502352-1100 | 11 | | 40.4 | 49.4 | 45.4 | 44 | 20.2 | 26.3 | 502352-1110 | 11 | | | | |
| | | | | | | | 24.3 | 502352-1000 | 10 | | | | | | | 24.3 | 502352-1010 | 10 | | | | |
| | | | | | | | 22.3 | 502352-0900 | 9 | | | | | | | 22.3 | 502352-0910 | 9 | | | | |
| | | | | | | | 20.3 | 502352-0800 | 8 | | | | | | | 20.3 | 502352-0810 | 8 | | | | |
| | | 28.4 | 37.4 | 33.4 | 32 | 14.2 | 18.3 | 502352-0700 | 7 | | 28.4 | 37.4 | 33.4 | 32 | 14.2 | 18.3 | 502352-0710 | 7 | | | | |
| | | | | | | | 16.3 | 502352-0600 | 6 | | | | | | | 16.3 | 502352-0610 | 6 | | | | |
| E | | / | 29.4 | 25.4 | 24 | 11.5 | 14.3 | 502352-0500 | 5 | / | 29.4 | 25.4 | 24 | 11.5 | 14.3 | 502352-0510 | 5 | | | | | |
| | | | | | | | 12.3 | 502352-0400 | 4 | | | | | | 12.3 | 502352-0410 | 4 | | | | | |
| | | | | | | | 10.3 | 502352-0300 | 3 | | | | | | 10.3 | 502352-0310 | 3 | | | | | |
| | | | | | | | 8.3 | 502352-0200 | 2 | | | | | | 8.3 | 502352-0210 | 2 | | | | | |
| | | | | | | | | | | | | | | | | | | | | | | |
| PLATING COLOR | F | E | D | C | (B) | (A) | エンボス梱包品 製品番号 MATERIAL NO. | 極数 CKT. | PLATING COLOR | F | E | D | C | (B) | (A) | エンボス梱包品 製品番号 MATERIAL NO. | 極数 CKT. | | | | | |

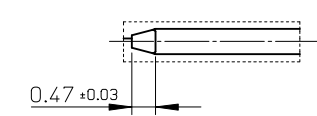
| | | | | | | | | | | | | | | | | | | | | | | | | | | | | | | | | | | | | | | |
|---|-------------|---|------|------|----|------|---------------|-------------|---|---|------|------|----|------|------|-------------|-----|--|--|--|--|-----|---------------------------------|------------|---------------|---|---|---|---|-----|-----|---------------------------------|------------|--|--|--|--|--|
| D | Sn BLACK | / | 29.4 | 25.4 | 24 | 11.5 | 14.3 | 502352-0500 | 5 | / | 29.4 | 25.4 | 24 | 11.5 | 14.3 | 502352-0510 | 5 | | | | | | | | | | | | | | | | | | | | | |
| | | | | | | | 12.3 | 502352-0400 | 4 | | | | | | 12.3 | 502352-0410 | 4 | | | | | | | | | | | | | | | | | | | | | |
| | | | | | | | 10.3 | 502352-0300 | 3 | | | | | | 10.3 | 502352-0310 | 3 | | | | | | | | | | | | | | | | | | | | | |
| | | | | | | | 8.3 | 502352-0200 | 2 | | | | | | 8.3 | 502352-0210 | 2 | | | | | | | | | | | | | | | | | | | | | |
| | | | | | | | 20.3 | 502352-0801 | 8 | | | | | | 20.3 | 502352-0801 | 8 | | | | | | | | | | | | | | | | | | | | | |
| | | | | | | | 18.3 | 502352-0701 | 7 | | | | | | 18.3 | 502352-0701 | 7 | | | | | | | | | | | | | | | | | | | | | |
| | | | | | | | 16.3 | 502352-0601 | 6 | | | | | | 16.3 | 502352-0601 | 6 | | | | | | | | | | | | | | | | | | | | | |
| | | | | | | | 14.3 | 502352-0501 | 5 | | | | | | 14.3 | 502352-0501 | 5 | | | | | | | | | | | | | | | | | | | | | |
| | | | | | | | 12.3 | 502352-0401 | 4 | | | | | | 12.3 | 502352-0401 | 4 | | | | | | | | | | | | | | | | | | | | | |
| | | | | | | | 10.3 | 502352-0301 | 3 | | | | | | 10.3 | 502352-0301 | 3 | | | | | | | | | | | | | | | | | | | | | |
| C | | / | 29.4 | 25.4 | 24 | 11.5 | 8.3 | 502352-0201 | 2 | / | 29.4 | 25.4 | 24 | 11.5 | 8.3 | 502352-0201 | 2 | | | | | | | | | | | | | | | | | | | | | |
| | | | | | | | | | | | | | | | | | | | | | | | | | | | | | | | | | | | | | | |
| | | | | | | | PLATING COLOR | F | E | | | | | | D | C | (B) | | | | | (A) | エンボス梱包品 製品番号 MATERIAL NO. | 極数 CKT. | PLATING COLOR | F | E | D | C | (B) | (A) | エンボス梱包品 製品番号 MATERIAL NO. | 極数 CKT. | | | | | |

| | | | | | | | | | |
|--|-------------|--|--|-------------|-----------------|---|--------------|------------------------|---|
| REVISED EC NO: JTR2015-0089 DRWN:Y.TAMAKI 2015/03/03 CHKD:H.KOMATSU 2015/03/03 APPR: MAYAMAMOTO 2015/04/28 | DESCRIPTION | QUALITY SYMBOLS F _A =0 F _G =0 F _P =0 | GENERAL TOLERANCES (UNLESS SPECIFIED) | | DIMENSION STYLE | SCALE | DESIGN UNITS | THIRD ANGLE PROJECTION | TITLE 2.0MM PITCH W/B CONN. WAFER ASSY EMBOSSED TAPE PACKAGE molex DOCUMENT NO. SD-502352-002 SHEET NO. 2 OF 2 |
| | | | mm | INCH | MM ONLY | 1:1 | METRIC | | |
| | | | DRAFT WHERE APPLICABLE MUST REMAIN WITHIN DIMENSIONS | | DRAWN BY | DATE | | | |
| | | | | | SHSHIBATA | 2007/6/6 | | | |
| | | | 4 PLACES | ± --- ± --- | CHECKED BY | DATE | | | |
| | | | 3 PLACES | ± --- ± --- | TAITO | 2007/6/6 | | | |
| | | | 2 PLACES | ± --- ± --- | APPROVED BY | DATE | | | |
| | | | 1 PLACE | ± --- ± --- | MAYAMAMOTO | 2012/03/14 | | | |
| | | | 0 PLACE | ± --- ± --- | MATERIAL NO. | | | | |
| | | | ANGULAR ± - ° | | SEE CHART | | | | |
| | | | | | SIZE | THIS DRAWING CONTAINS INFORMATION THAT IS PROPRIETARY TO MOLEX INCORPORATED AND SHOULD NOT BE USED WITHOUT WRITTEN PERMISSION | | | |
| | | | | | A3 | | | | |

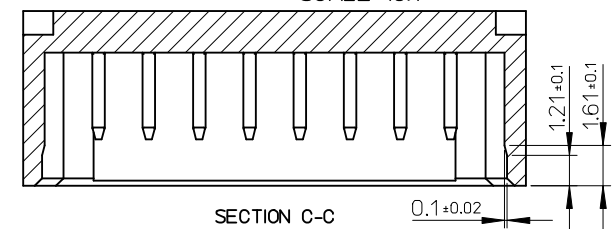
10 9 8 7 6 5 4 3 2 1



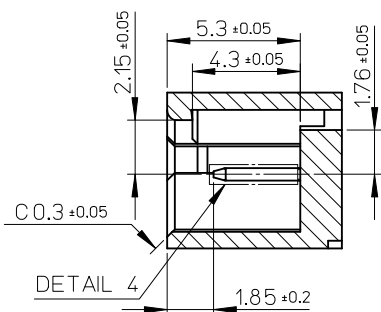
DETAIL 3
SCALE 10:1



DETAIL 4
SCALE 10:1



SECTION C-C



SECTION B-B

| | | | | | | | | | | |
|------|------|------|-----|-----|-----|------|------|------|----|-----|
| 31.7 | 30.8 | 28.4 | 2.8 | 3.7 | 7.2 | 28.4 | 30.5 | 32.3 | 34 | 15 |
| 29.7 | 28.8 | 26.4 | 2.8 | 3.7 | 7.2 | 26.4 | 28.5 | 30.3 | 32 | 14 |
| 27.7 | 26.8 | 24.4 | 2.8 | 3.7 | 7.2 | 24.4 | 26.5 | 28.3 | 30 | 13 |
| 25.7 | 24.8 | 22.4 | 2.8 | 3.7 | 7.2 | 22.4 | 24.5 | 26.3 | 28 | 12 |
| 23.7 | 22.8 | 20.4 | 2.8 | 3.7 | 7.2 | 20.4 | 22.5 | 24.3 | 26 | 11 |
| 21.7 | 20.8 | 18.4 | 2.8 | 3.7 | 7.2 | 18.4 | 20.5 | 22.3 | 24 | 10 |
| 19.7 | 18.8 | 16.4 | 2.8 | 3.7 | 7.2 | 16.4 | 18.5 | 20.3 | 22 | 9 |
| 17.7 | 16.8 | 14.4 | 2.8 | 3.7 | 7.2 | 14.4 | 16.5 | 18.3 | 20 | 8 |
| 15.7 | 14.8 | 12.4 | 2.8 | 3.7 | 7.2 | 12.4 | 14.5 | 16.3 | 18 | 7 |
| 13.7 | 12.8 | 10.4 | 2.8 | 3.7 | 7.2 | 10.4 | 12.5 | 14.3 | 16 | 6 |
| 11.7 | 10.8 | 8.4 | 2.8 | 3.7 | 7.2 | | | 12.3 | 14 | 5 |
| 9.7 | 8.8 | 6.4 | 2.8 | 3.7 | 7.1 | | | 10.3 | 12 | 4 |
| 7.7 | 6.8 | 4.4 | 2 | 2.9 | 5.1 | | | 8.3 | 10 | 3 |
| | | | | | | | | | | 2 |
| K | J | H | G | F | E | D | C | B | A | CKT |

注記
NOTES

- 弊社製品寸法を保証するものではありません。
THIS DRAWING IS NOT GUARANTY DIMENSIONS FOR MOLEX PRODUCT.
- 嵌合相手
MATES WITH
502351-**-0*: DuraClik
505151-**-00: DuraClik TPA
560123-**-0*: DuraClik ISL
- メッキ仕様
ピン: 銅合金、ニッケル下地(1μm以上)、錫メッキ(1μm以上)
PLATING SPEC
PIN: COPPER ALLOY, TIN(1μm MIN.) OVER NICKEL(1μm MIN.) PLATE.
- 参照図面
REFERENCE DRAWING
SD-502352-001

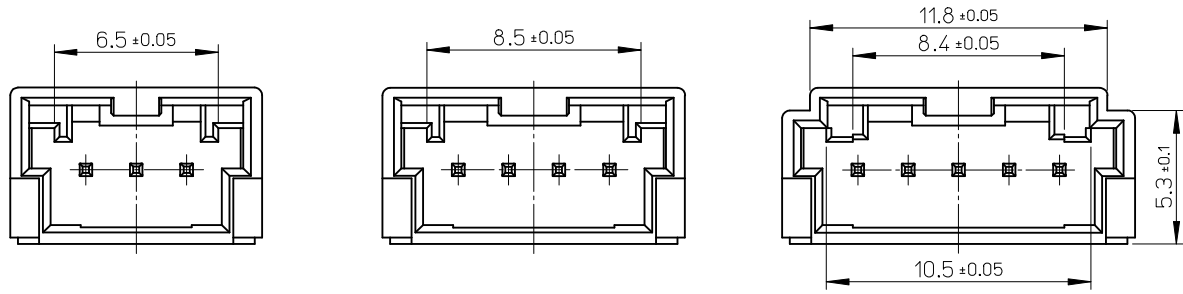
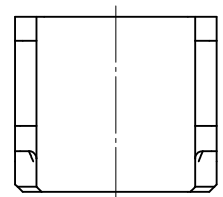
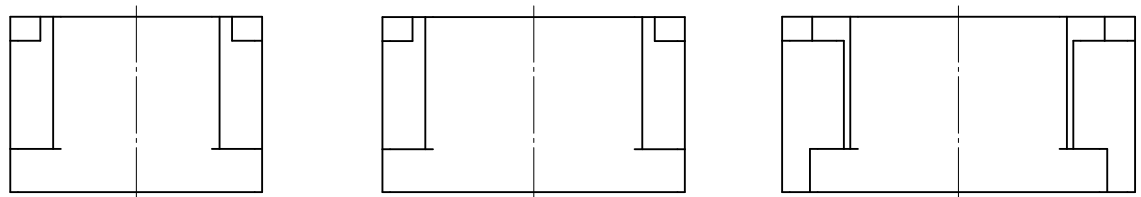
RECOMMENDED DIMENSIONS
FOR CONNECTOR INTERFACE

| | | | |
|---|--------------------------------------|--|------|
| RELEASED EC NO.: JTR2016-0011 DRWN: YAMAKI 2015/03/25 CHKD: HKOMATSU 2015/07/24 APPR: MAYAMAMOTO 2015/07/24 | QUALITY SYMBOLS ▽=0 △=0 ◇=0 | GENERAL TOLERANCES (UNLESS SPECIFIED) | |
| | | mm | INCH |
| | | 4 PLACES ± --- ± --- | |
| | | 3 PLACES ± --- ± --- | |
| 2 PLACES ± --- ± --- | | | |
| 1 PLACE ± --- ± --- | | | |
| 0 PLACE ± --- ± --- | | | |
| ANGULAR ± - ° | | DRAFT WHERE APPLICABLE MUST REMAIN WITHIN DIMENSIONS | |

| | | | | |
|---|----------------------------------|--|------------------------|------------------------|
| DIMENSION STYLE MM ONLY | | SCALE 5:1 | DESIGN UNITS METRIC | THIRD ANGLE PROJECTION |
| DRAWN BY YAMAKI | DATE 2015/03/25 | TITLE 2.0MM PITCH W/B CONN. INTERFACE DRAWING | | |
| CHECKED BY HKOMATSU | DATE 2015/07/24 | | | |
| APPROVED BY MAYAMAMOTO | DATE 2015/07/24 | | | |
| MATERIAL NO. --- | DOCUMENT NO. SD-502352-003-JP | SHEET NO. 1 OF 2 | | |
| THIS DRAWING CONTAINS INFORMATION THAT IS PROPRIETARY TO MOLEX INCORPORATED AND SHOULD NOT BE USED WITHOUT WRITTEN PERMISSION | | | | |

9 8 7 6 5 4 3 2 1

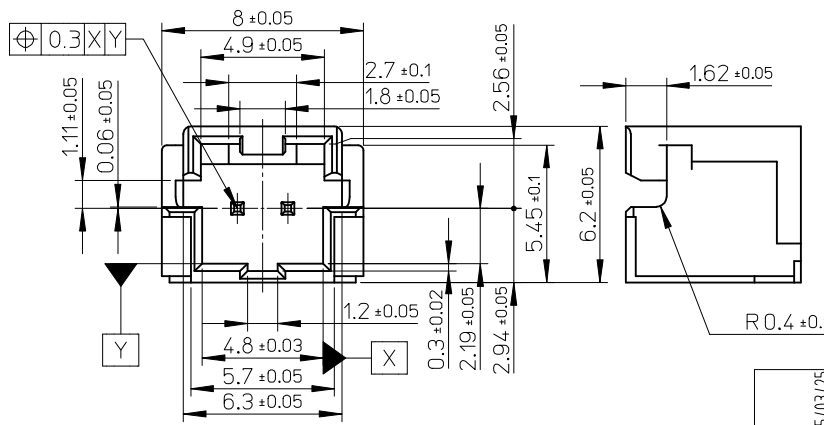
| | | | | | | | | | | |
|------|----|------------------|----------------|---------------------|---|---|---|---|---|---|
| | 10 | 9 | 8 | 7 | 6 | 5 | 4 | 3 | 2 | 1 |
| F | 15 | | | | | | | | | |
| | 14 | | | | | | | | | |
| | 13 | | | | | | | | | |
| | 12 | | | | | | | | | |
| | 11 | | | | | | | | | |
| | 10 | 560123 | | | | | | | | |
| | 9 | | 505151 | | | | | | | |
| | 8 | 560123 | | 502351 | | | | | | |
| | 7 | | | | | | | | | |
| | 6 | 560123 | | | | | | | | |
| | 5 | | | | | | | | | |
| E | 4 | | | | | | | | | |
| | 3 | 560123 | | | | | | | | |
| | 2 | | | | | | | | | |
| CKTS | | ISL Receptacle | TPA Receptacle | Standard Receptacle | | | | | | |
| | | Mate With Series | | | | | | | | |



3極
3CKT

4極
4CKT

5極
5CKT



2極
2CKT

RECOMMENDED DIMENSIONS FOR CONNECTOR INTERFACE

| | | | | | | | |
|--|--|--|------|---|---------------------|---|----------------------------|
| RELEASED EC NO: JTR2016-0011 DRWN: YAMAKI 2015/03/25 CHKD: KOMATSU 2015/07/24 APPR: MAYAMOTO 2015/07/24 | QUALITY SYMBOLS $\nabla \sigma = 0$ $\nabla \sigma = 0$ $\nabla \sigma = 0$ | GENERAL TOLERANCES (UNLESS SPECIFIED) | | DIMENSION STYLE MM ONLY | SCALE 5:1 | DESIGN UNITS METRIC | THIRD ANGLE PROJECTION |
| | | mm | INCH | DRAWN BY YAMAKI | DATE 2015/03/25 | TITLE 2.0MM PITCH W/B CONN. INTERFACE DRAWING | |
| REV 0 | DESCRIPTION | DRAFT WHERE APPLICABLE MUST REMAIN WITHIN DIMENSIONS | | CHECKED BY KOMATSU | DATE 2015/07/24 | molex | |
| | | MATERIAL NO. --- | | APPROVED BY MAYAMOTO | DATE 2015/07/24 | DOCUMENT NO. SD-502352-003-JP | SHEET NO. 2 OF 2 |
| SIZE A3 | | | | THIS DRAWING CONTAINS INFORMATION THAT IS PROPRIETARY TO MOLEX INCORPORATED AND SHOULD NOT BE USED WITHOUT WRITTEN PERMISSION | | | |