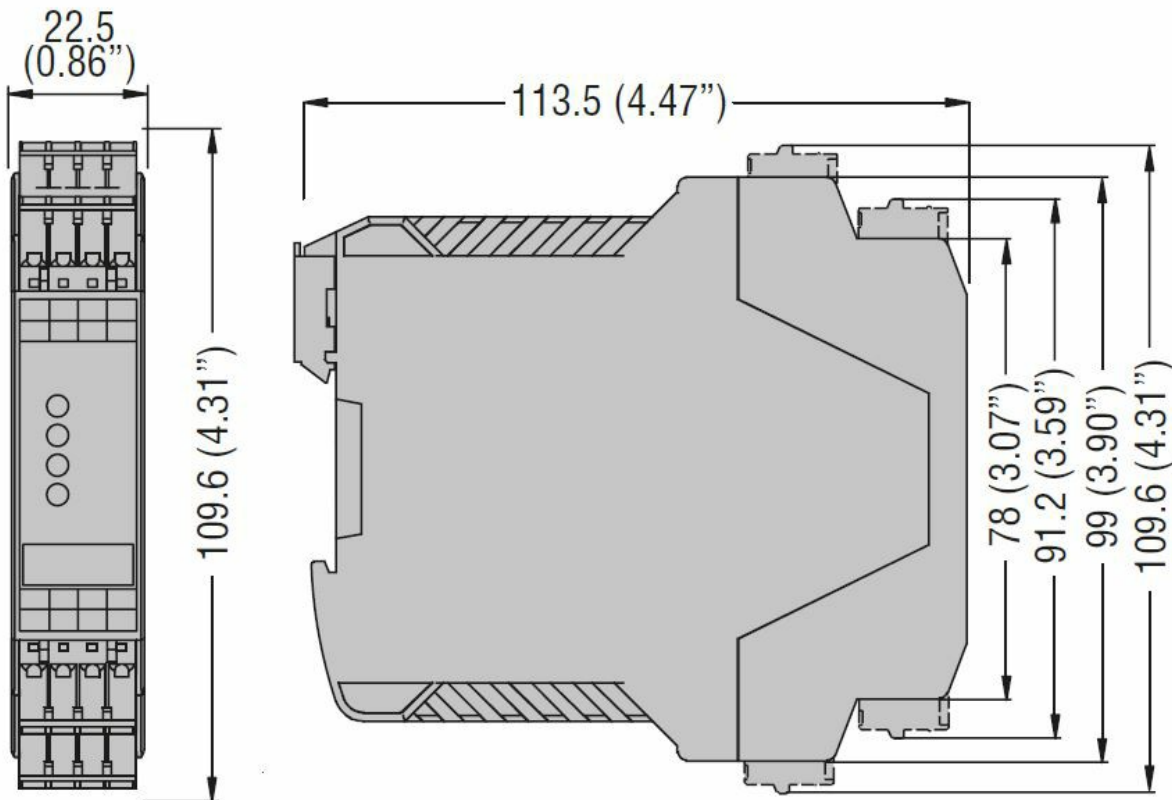




General characteristics		
General characteristics		
Functions		Emergency stop
Contact characteristics		
Type of contact		3NO+1NC
Operations		
Mechanical life	cycles	10000000
Auxiliary supply		
Nominal auxiliary voltage supply		24VAC/DC
Operating range	V	20.4...26.4VAC/DC
Frequency range	Hz	50/60
Overvoltage category		III
Insulation voltage	kV	4
Protections		Short circuit with PTC
Input characteristics		
Number of inputs	Nr.	2
Resistance input circuit	kΩ	Max 1
Input current	mA	Typical 5
Output characteristics		
Number of safe outputs NO	Nr.	3
Number of safe outputs NC	Nr.	1
Number of feedback outputs	Nr.	0
Output type		Voltage free contacts, relays with forcibly guided contacts
Output contacts ratings		AC1 250V: 5A-1500VA AC15 250V: 5A DC1 24V: 5A DC13 24V: 5A
UL 508 ratings		Pilot duty: B300-R300
Mechanical life	cycles	10000000
Electrical life AC1 at 360 commutations/h	cycles	10 ⁵
Safety parameters		
ISO 13849-1 security category		Cat. 4
ISO 13849-1 performance level		PLe
Mechanical features		
Cable connection		Spring-loaded terminals
Fixing		35mm DIN rail
Weight	g	164
Ambient conditions		

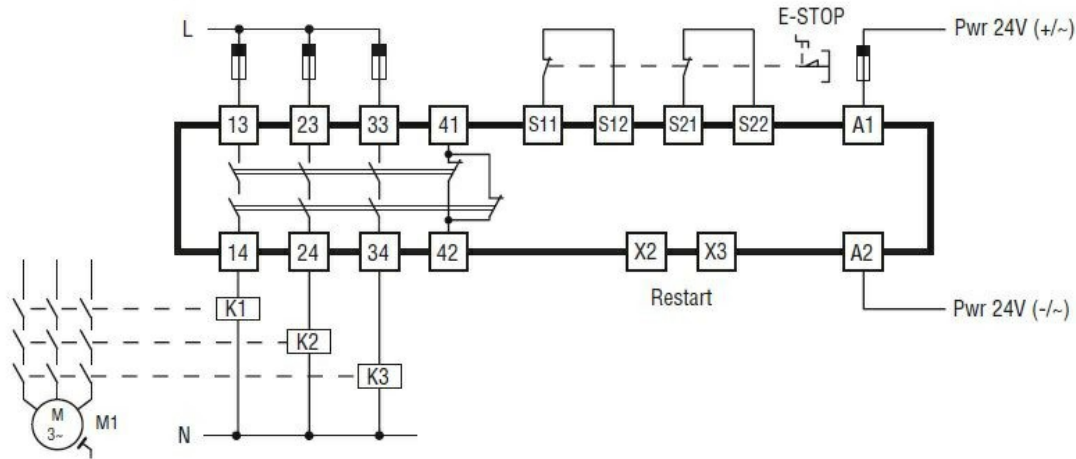
Protection degree	IP40 on front IP20 on terminals		
Pollution degree	2		
Temperature	Operating temperature		
	min	°C	-20
	max	°C	+55
	Storage temperature		
	min	°C	-20
	max	°C	+85
Relative humidity		%	≤93

Dimensions



Wiring diagrams

Double channel mode, manual start



Certifications and compliance

Compliance

Cat. 4
PLe secondo EN/BS/ISO 13849-1
SIL3 secondo EN 61508

Certificates

cULus
TÜV

ETIM classification

ETIM 8.0

EC001449 -
Device for
monitoring of
safety-related
circuits