

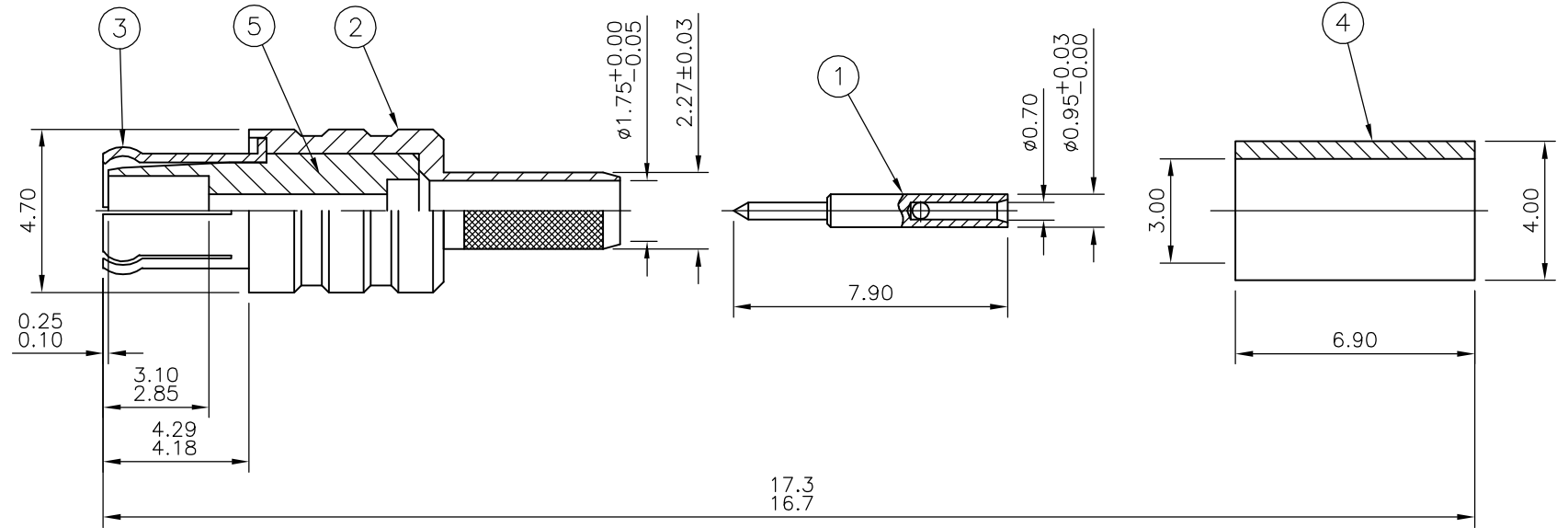
THIS DRAWING IS UNPUBLISHED. RELEASED FOR PUBLICATION NOV ,2004.

© COPYRIGHT 2004 BY TYCO ELECTRONICS CORPORATION. ALL RIGHTS RESERVED.

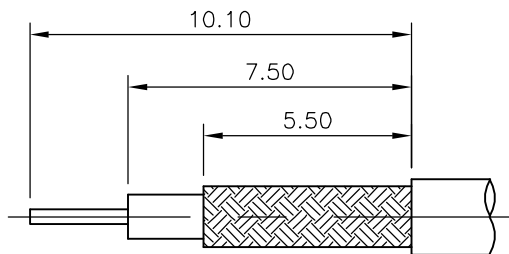
LOC	DIST	REVISIONS					
E	B	P	LTR	DESCRIPTION	DATE	DWN	APVD
		C		EBD0-0423-04	09NOV04	JMS	FWK

NOTES

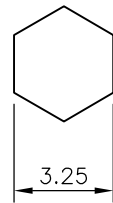
- 1. SINGLE PACK IN ACCORDANCE WITH SPEC 107-3275
- 2. 100 TRAY PACK IN ACCORDANCE WITH SPEC 107-3275
- 3. COAX CONNECTOR MUST CONFORM TO SPEC. CECC 22220
- 4. 0.1-0.2um Au OVER NOM 4.0um Ni PLATING.
- 5. GOLD PL. PER TYCO SPEC 112-162-5, 1.3um MIN THK OVER Ni-PL. PER TYCO SPEC 112-25-2; 2.0um MIN.- 4.0 um MAX. THK.
- 6. GOLD PL. PER TYCO SPEC 112-162-5, 0.8um MIN THK OVER Ni-PL. PER TYCO SPEC 112-25-2; 2.0um MIN.- 4.0 um MAX. THK.
- 7. HAND CRIMPING TOOL FOR POSITIONS 10-12 TYCO P/N 734537-1 (HEX. 3.25) ALTERNATE 9-1478240-0
- 8. HAND CRIMPING TOOL FOR POSITIONS 1-3 DANIELS M22520/2-01 WITH POSITIONER TYCO P/N 639000-1, CRIMPING SELECTION: SEL-NO. 4, ALTERNATE 9-1478248-0



RECOMMENDED CABLE STRIPPING DIM'S



RECOMMENDED CRIMP SLEEVE A/F HEX



	1	1	1	1	1	1	1	PTFE	DIELECTRIC	5
	1	1	1	1	1	1	1	ANNEALED COPPER	CRIMP SLEEVE	4
	1	1	-	-	-	-	-	PHOSPHOR BRONZE	OUTER CONTACT	3
	-	-	1	1	-	-	-	PHOSPHOR BRONZE	OUTER CONTACT	3
	-	-	-	-	1	1	-	PHOSPHOR BRONZE	OUTER CONTACT	3
	1	1	1	1	1	1	1	BRASS	BODY	2
	1	1	-	-	-	-	-	BRASS	MALE CONTACT	1
	-	-	1	1	-	-	-	BRASS	MALE CONTACT	1
	-	-	-	-	1	1	-	BRASS	MALE CONTACT	1
	6--2	1--2	6--1	1--1	6--0	1--0		MATERIAL	DESCRIPTION	ITEM
	2	1	2	1	2	1				

THIS DRAWING IS A CONTROLLED DOCUMENT.		DWN J.SANDWELL 09NOV04	Tyco Electronics Corporation Bideford, UK, EX39 4HE													
DIMENSIONS: mm		CHK S.PARLOW 09NOV04														
TOLERANCES UNLESS OTHERWISE SPECIFIED:		APVD F.WHEELER-KING 09NOV04	NAME MCX STRAIGHT PLUG CRIMP 50 OHMS RG174, 188, 316, URM95, KX3B, 22A													
<table border="1"> <tr><td>0 PLC</td><td>± -</td></tr> <tr><td>1 PLC</td><td>± -</td></tr> <tr><td>2 PLC</td><td>± -</td></tr> <tr><td>3 PLC</td><td>± -</td></tr> <tr><td>4 PLC</td><td>± -</td></tr> <tr><td>ANGLES</td><td>± -</td></tr> </table>		0 PLC	± -	1 PLC	± -	2 PLC	± -	3 PLC	± -	4 PLC	± -	ANGLES	± -	PRODUCT SPEC 108-3640	RESTRICTED TO	
0 PLC	± -															
1 PLC	± -															
2 PLC	± -															
3 PLC	± -															
4 PLC	± -															
ANGLES	± -															
MATERIAL SEE TABLE		FINISH SEE TABLE	APPLICATION SPEC -	SCALE NTS												
WEIGHT -		SIZE A3	CAGE CODE 00779	DRAWING NO 1337580												
CUSTOMER DRAWING		SHEET 1 OF 1		REV C												