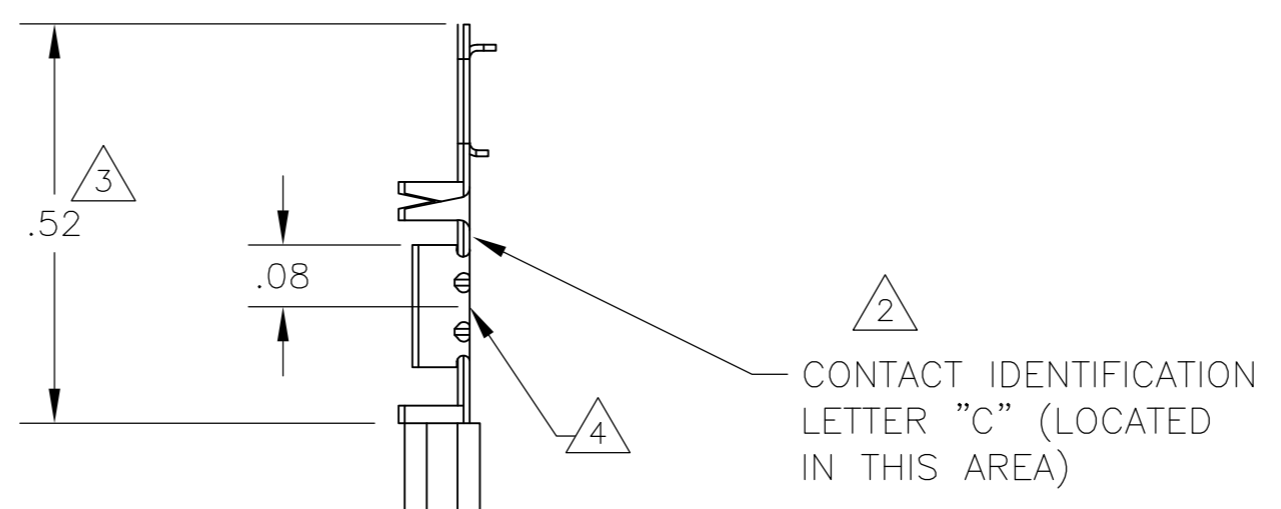
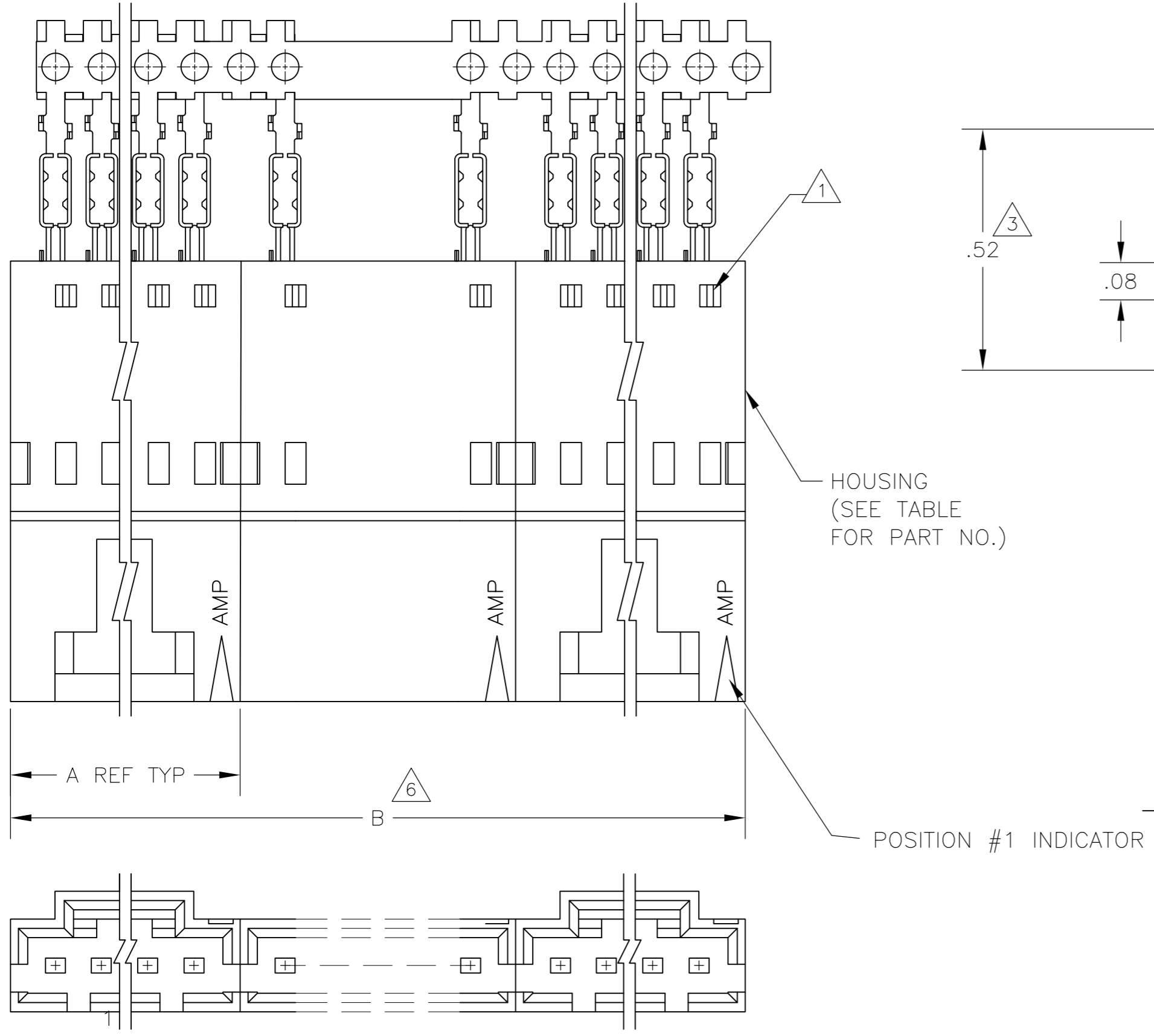


THIS DRAWING IS UNPUBLISHED. RELEASED FOR PUBLICATION  
 © COPYRIGHT BY TYCO ELECTRONICS CORPORATION. ALL RIGHTS RESERVED.

LOC	DIST	REVISIONS			
P	LTR	DESCRIPTION	DATE	DWN	APVD
J		EC 0G3C 0766 04	28DEC04	BSV	-
J1		REVISED PER ECO-09-020689	29AUG09	KK	AEG



△10	OBSOLETE	△9	2	2.59	1.295	1-103653-1	12	6-103947-1
△10	OBSOLETE	△9	2	2.39	1.195	1-103653-0	11	6-103947-0
△10	OBSOLETE	△9	2	2.19	1.095	103653-9	10	5-103947-9
△10	OBSOLETE	△9	2	1.99	.995	103653-8	9	5-103947-8
		△9	2	1.79	.895	103653-7	8	5-103947-7
△10	OBSOLETE	△9	3	2.39	.795	103653-6	7	5-103947-6
△10	OBSOLETE	△9	2	1.39	.695	103653-5	6	5-103947-5
△10	OBSOLETE	△9	4	2.38	.595	103653-4	5	5-103947-4
		△9	4	1.98	.495	103653-3	4	5-103947-3
		△9	5	1.98	.395	103653-2	3	5-103947-2
		△9	8	2.36	.295	103653-1	2	5-103947-1
△10	OBSOLETE	△8	2	2.59	1.295	1-103653-1	12	1-103947-1
△10	OBSOLETE	△8	2	2.39	1.195	1-103653-0	11	1-103947-0
△10	OBSOLETE	△8	2	2.19	1.095	103653-9	10	103947-9
△10	OBSOLETE	△8	2	1.99	.995	103653-8	9	103947-8
△10	SUPERSEDED	△8	2	1.79	.895	103653-7	8	103947-7
△10	OBSOLETE	△8	3	2.39	.795	103653-6	7	103947-6
		△8	2	1.39	.695	103653-5	6	103947-5
△10	OBSOLETE	△8	4	2.38	.595	103653-4	5	103947-4
		△8	4	1.98	.495	103653-3	4	103947-3
		△8	5	1.98	.395	103653-2	3	103947-2
		△8	8	2.36	.295	103653-1	2	103947-1
PLATING	△6	B	A	HOUSING PART NUMBER	NO OF POSN	ASSEMBLY PART NUMBER ON STRIP		

- △1 CONTACTS ARE LATCHED INTO THE PRELOAD WINDOWS
- △2 USE WITH #26-#30 AWG WIRE SIZE, .054/.030 INSULATION DIAMETER, .015 MAXIMUM INSULATION THICKNESS
- △3 THE DIMENSION APPLIES WITH THE FORWARD PRELOAD STOP IN CONTACT WITH THE HOUSING SURFACE
- △4 POINT OF MEASUREMENT FOR PLATING THICKNESS
- 5 FOR INDIVIDUAL ASSEMBLIES SEE PART NUMBER 103659
- △6 ASSEMBLIES ARE JOINED BY THE CARRIER STRIP. ORDER QUANTITY REFLECTS TOTAL NUMBER OF INDIVIDUAL ASSEMBLIES REQUIRED. SEE TABLE FOR NUMBER OF ASSEMBLIES PER STRIP.
- △7 MATERIAL- HOUSING: FLAME RETARDANT THERMOPLASTIC, COLOR: BLACK PINS: PHOS. BRONZE
- △8 FINISH- PINS: .000100-.000200 BRIGHT TIN-LEAD OVER .000050 NICKEL.
- △9 FINISH- PINS: .000100-.000200 MATTE TIN OVER .000050 NICKEL.
- △10 OBSOLETE PARTS: OBSOLETE CIS STREAMLINING PER D.RENAUD/D.SINISI

THIS DRAWING IS A CONTROLLED DOCUMENT.

DWN R BROWN 26JUL00	Tyco Electronics Corporation Harrisburg, Pa 17105-3608				
CHK K WRIGHT 26JUL00					
APVD K WRIGHT 26JUL00					
PRODUCT SPEC 108-25034					
APPLICATION SPEC 114-25026	NAME SHROUDED PIN ASSY, AMPMODU MTE, SINGLE ROW, .100 CL, POLARIZED, W/ LATCH WINDOWS, FOR #26-#30 AWG WIRE SIZE, STRIP FORM				
MATERIAL △7	FINISH SEE TABLE	SIZE A2	CAGE CODE 00779	DRAWING NO C=103947	RESTRICTED TO -
CUSTOMER DRAWING		SCALE 4:1	SHEET 1 OF 1	REV J1	