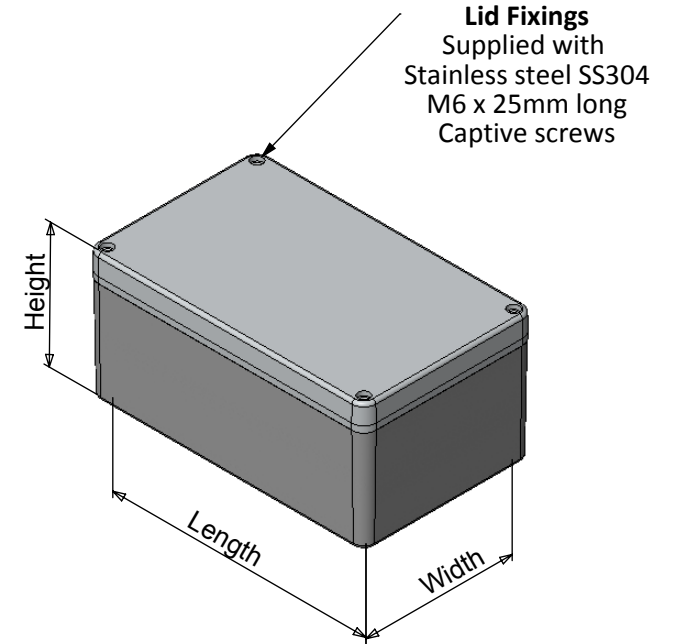
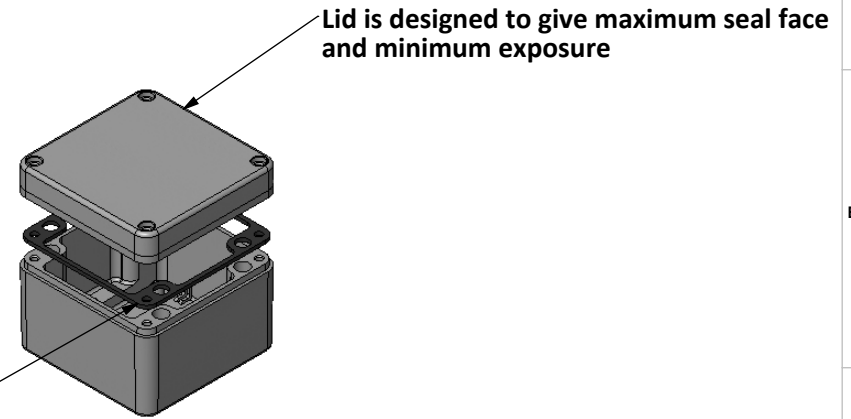


Die cast aluminium enclosures sealed to  
BS EN 60529:1992 IP67 / IP68 (10mtrs for 20 hours)

- 3mm One piece Die cut Silicone Rubber Sponge 01-255FR Seal
- Seal has Self Adhesive Backing. 01-255SAB Suitable for -60 °c to 240 °c.
- Min seal thickness 3.0mm - min seal frame width 3.5mm
- Min enclosure wall thickness 3mm
- Min enclosure lid thickness 3mm
- Enclosure has integrated PCB guides & Standoffs
- Enclosure has integrated earth fixing points & comes supplied with brass shake proof screws
- Enclosure can be supplied machined to your specification



Length	Width	Height	Lid Fixing holes Qty	PART NUMBERS		
				Un-Painted	Powder Coat	Nylon Coat
125	125	80	4	486-121208-68	487-121208*-68	488-121208*-68
125	125	90	4	486-121209-68	487-121209*-68	488-121209*-68
130	80	60	4	486-130806-68	487-130806*-68	488-130806*-68
160	160	90	4	486-161609-68	487-161609*68	488-161609*-68
220	120	80	4	486-221208-68	487-221208*-68	488-221208*-68
220	120	90	4	486-221209-68	487-221209*-68	488-221209*-68
260	160	90	4	486-261609-68	487-261609*-68	488-261609*68
260	160	120	4	486-261612-68	487-261612*-68	488-261612*-68
Box Dimensions in mm				Colour Option - Colour suffix * - Grey= A / Blue= B / Black= E		

Tel No. +44(0)1724 273200 Website www.dem-uk.com



PROPRIETARY AND CONFIDENTIAL  
THE INFORMATION CONTAINED IN THIS DRAWING IS THE SOLE PROPERTY OF  
ALPHA 3 MANUFACTURING.  
ANY REPRODUCTION IN PART OR AS A WHOLE WITHOUT THE WRITTEN PERMISSION OF  
ALPHA 3 MANUFACTURING IS PROHIBITED.

**DEM** DEM Manufacturing, Deltron Emcon House  
Hargreaves Way, Sawcliffe Ind. Park,  
Scunthorpe, North Lincolnshire, DN15 8RF, UK

UNLESS OTHERWISE SPECIFIED:  
DIMENSIONS ARE IN MILLIMETRES.  
TOLERANCE:  
**NO DECIMAL PLACES ±0.2mm**  
**1 DECIMAL PLACE ±0.1mm**  
**2 DECIMAL PLACES ±0.05mm**  
**ANGULAR TOLERANCE: ±1°**

FINISH See Note  
-  
-  
IF IN DOUBT ASK  
DO NOT SCALE DRAWING

MATERIAL LM24

DEBURR AND BREAK SHARP EDGES

DRAWN BY  
APPROVED BY  
THIRD ANGLE PROJECTION

SPB  
WC  
SHEET 1 OF 1  
SCALE 1:5  
A4

TITLE  
General Specification  
For Deltron's IP67 / IP68  
Heavy Duty Enclosure

DRAWING NO.  
486-IP67-IP68 Heavy duty range

ISSUE  
**01**  
Release