

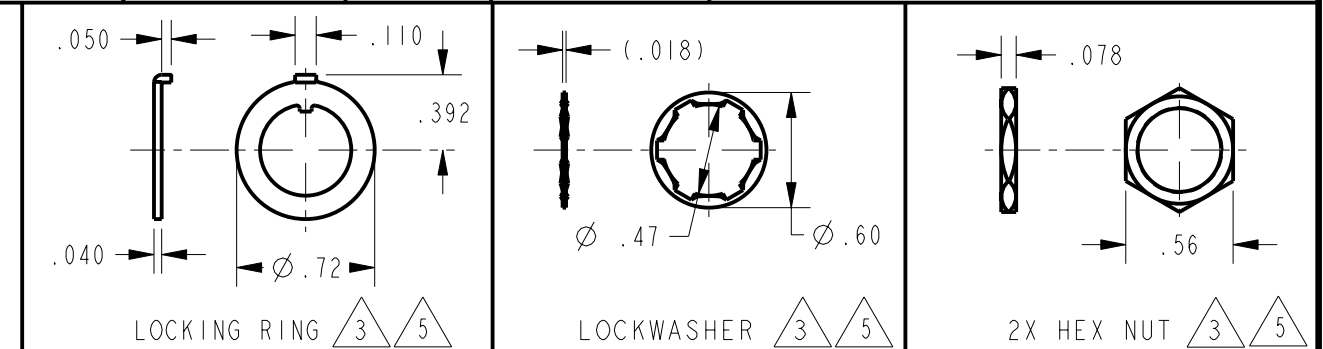
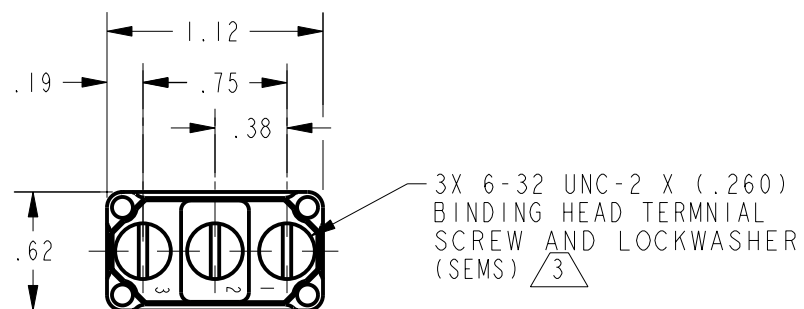
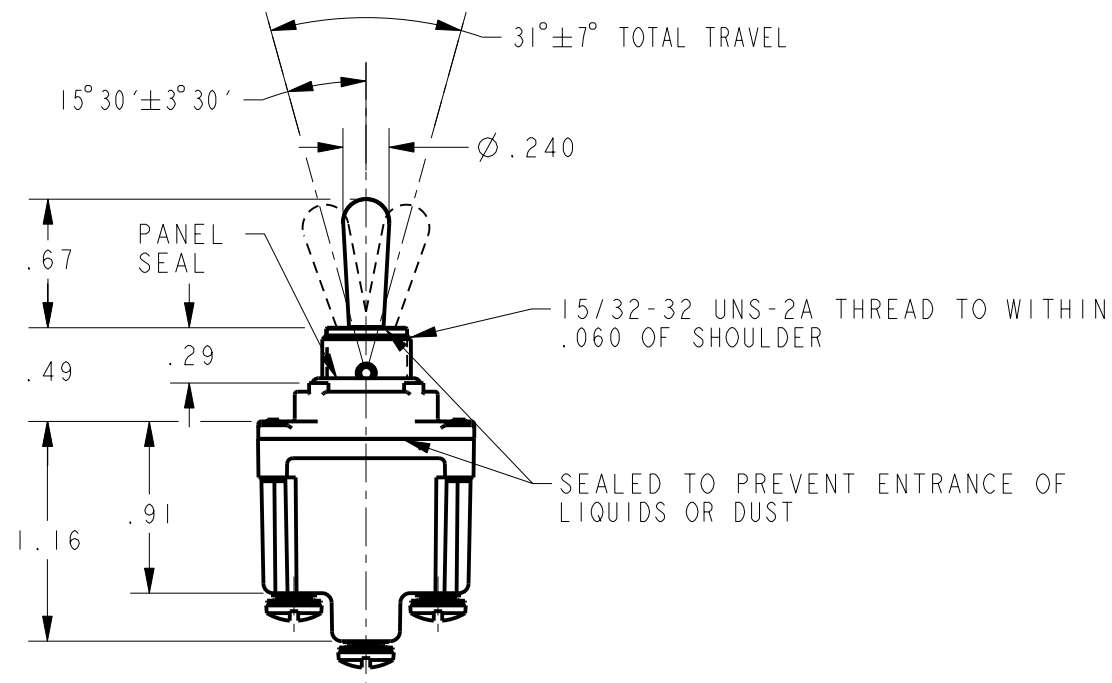
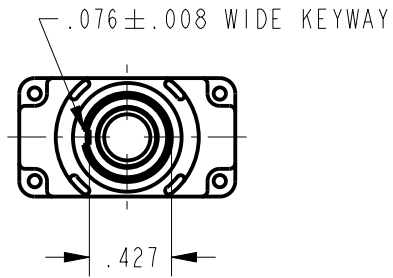
SWITCH - TOGGLE

CATALOG LISTING

61NT1 SERIES CHART 1

THIS DRAWING COVERS A PROPRIETARY ITEM AND IS THE PROPERTY OF MICRO SWITCH. A DIVISION OF HONEYWELL. THIS DRAWING IS NOT TO BE COPIED OR USED WITHOUT THE APPROVAL OF MICRO SWITCH

CATALOG LISTING	CIRCUIT MADE WITH TOGGLE LEVER IN 4			ELECTRICAL DATA
	KEYWAY SIDE (1-2)	CENTER (1-2)	OPPOSITE KEYWAY (2-3)	
61NT1-1	ON	OFF	ON	L191 15A 125, 250, 277 VAC 1/2HP 125 VAC 1HP 250, 277 VAC 5A 125 VAC "L"
61NT1-2	OFF	NONE	ON	
61NT1-3	ON	NONE	ON	
61NT1-6	MOM ON	NONE	OFF	L192 10A 125, 250, 277 VAC 1/4HP 125 VAC 1/2HP 250, 277 VAC 3A 125 VAC "L"
61NT1-7	MOM ON	OFF	MOM ON	
61NT1-8	MOM ON	NONE	ON	



NOTES

- 1 - SWITCH WILL WITHSTAND TEMPERATURE OF 160°F CONTINUOUSLY AT FULL RATED LOAD
- 2 - MICRO SWITCH CAT. LIST. MARKED ON SIDE OF SWITCH FURNISHED UNASSEMBLED
- 3 - APPLIES ONLY TO "ON" AND "MOMENTARY ON" POSITIONS
- 5 - NH SUFFIX MUST BE ADDED TO SPECIFY NO HARDWARE (EX INTI-1-NH)

THIRD ANGLE PROJECTION	
SCALE	FULL
DO NOT SCALE PRINT	
UNLESS OTHERWISE SPECIFIED TOLERANCES ARE	
ONE PLACE	(.0) ±.030
TWO PLACE	(.00) ±.015
THREE PLACE	(.000) ±.005
ANGLES	±
WEIGHT	.07 LB APPROX

PTC/CAD 2D
 DRAWN
 TSM 5 FEB 03
 CHECK
 SAV 5 FEB 03
 CHECK
 5 FEB 03
 REVISIONS
 A 207702
 S A V
 19 MAR 03
 ISSUE
 2
 M
 CATALOG LISTING
 61NT1 SERIES CHART 1
 PAGE 1 OF 1
 RELEASE NO. 207366
 REPLACES -