

Mushroom pushbutton, 22 mm, round, plastic with metal front ring, black, 30 mm, momentary contact type



Product brand name	SIRIUS ACT
Product designation	Mushroom pushbuttons
Design of the product	Actuating/signaling element
Product type designation	3SU1

Enclosure

Number of command points	1
--------------------------	---

Actuator

Manner of function of the actuating element	momentary contact type
Product extension optional Light source	No
Color	
• of the actuating element	black
Material of the actuating element	plastic
Shape of the actuating element	round
Outer diameter of the actuating element	30 mm
Number of switching positions	2

Front ring

Product component front ring	Yes
Design of the front ring	Standard

Material of the front ring	Metal, matt
Color of the front ring	sand gray

General technical data

Product function	
<ul style="list-style-type: none"> • EMERGENCY OFF function • EMERGENCY STOP function 	No No
Protection class IP	IP66, IP67, IP69(IP69K)
Degree of protection NEMA rating	NEMA 1, 2, 3, 3R, 4, 4X, 12, 13
Shock resistance	
<ul style="list-style-type: none"> • acc. to IEC 60068-2-27 • for railway applications acc. to DIN EN 61373 	Sinusoidal half-wave 50 g / 11 ms Category 1, Class B
Operating frequency maximum	3 600 1/h
Mechanical service life (switching cycles)	
<ul style="list-style-type: none"> • typical 	10 000 000
Reference code acc. to DIN EN 81346-2	S
Reference code acc. to DIN EN 61346-2	S

Ambient conditions

Ambient temperature	
<ul style="list-style-type: none"> • during operation • during storage 	-25 ... +70 °C -40 ... +80 °C
Environmental category during operation acc. to IEC 60721	3M6, 3S2, 3B2, 3C3, 3K6 (with relative air humidity of 10 ... 95 %)

Installation/ mounting/ dimensions

Height	30 mm
Width	30 mm
Shape of the installation opening	round
Mounting diameter	22.3 mm
Positive tolerance of installation diameter	0.4 mm
Mounting height	27.5 mm
Installation width	30 mm
Installation depth	24.4 mm

Certificates/approvals

General Product Approval	Declaration of Conformity	Test Certificates
--------------------------	---------------------------	-------------------



CSA



UL



EG-Konf.

[Miscellaneous](#)

[Type Test Certificates/Test Report](#)

Marine / Shipping



ABS



LRS



PRS



RINA



RMRS



DNV-GL
DNVGL.COM/AF

other

[Confirmation](#)

Further information

Information- and Downloadcenter (Catalogs, Brochures,...)

<http://www.siemens.com/industrial-controls/catalogs>

Industry Mall (Online ordering system)

<https://mall.industry.siemens.com/mall/en/en/Catalog/product?mlfb=3SU1030-1AD10-0AA0>

Cax online generator

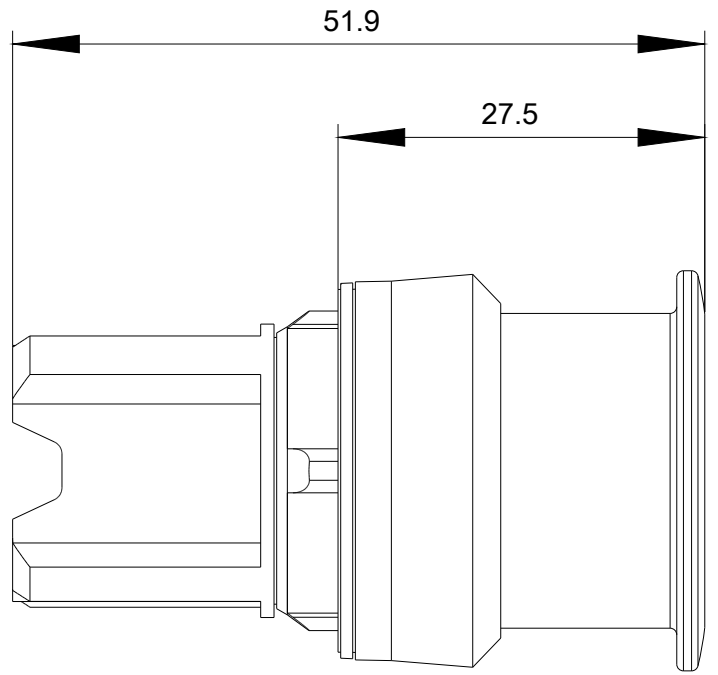
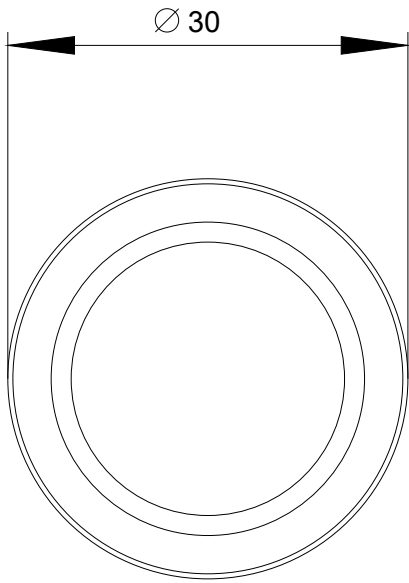
<http://support.automation.siemens.com/WW/CAXorder/default.aspx?lang=en&mlfb=3SU1030-1AD10-0AA0>

Service&Support (Manuals, Certificates, Characteristics, FAQs,...)

<https://support.industry.siemens.com/cs/ww/en/ps/3SU1030-1AD10-0AA0>

Image database (product images, 2D dimension drawings, 3D models, device circuit diagrams, EPLAN macros, ...)

http://www.automation.siemens.com/bilddb/cax_de.aspx?mlfb=3SU1030-1AD10-0AA0&lang=en



last modified:

09/12/2019