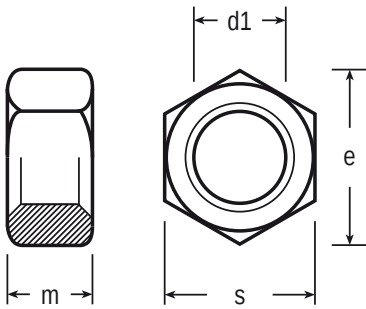


# Datasheet

## Metric Half/Lock Nuts

### Stainless Steel A2-304 & A4-316

### DIN 439 B



d1	M2	M2.5	M3	M3.5	M4	M5	M6	M8	M10
e <i>min.</i>	4.32	5.45	6.01	6.58	7.66	8.79	11.05	14.38	18.90
m <i>max.</i>	1.20	1.60	1.80	2.00	2.20	2.70	3.20	4.00	5.00
s	4.00	5.00	5.50	6.00	7.00	8.00	10.00	13.00	17.00
	M12	M14	M16	M20	M22	M24	M27	M30	M36
	21.10	24.49	26.75	32.95	35.03	39.55	45.20	50.85	60.79
	6.00	7.00	8.00	10.00	11.00	12.00	13.50	15.00	18.00
	19.00	22.00	24.00	30.00	34.00	36.00	41.00	46.00	55.00

Please view our full range listing below

#### A2-304 Stainless Steel

RS Stock No	Size	RS Stock No	Size
1224399	M2.5	1224404	M8
1224400	M3	1224405	M10
1224401	M4	1224406	M12
1224402	M5	1224407	M16
1224403	M6	1224408	M20

#### A4-316 Stainless Steel

RS Stock No	Size	RS Stock No	Size
1224409	M4	1224413	M10
1224410	M5	1224414	M12
1224411	M6	1224415	M16
1224412	M8	1224416	M20