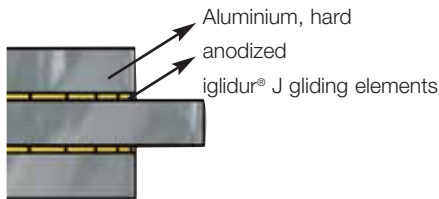
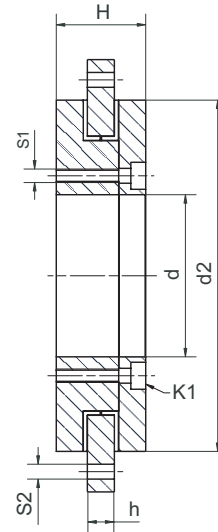
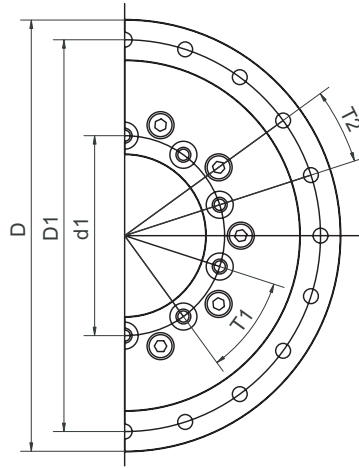
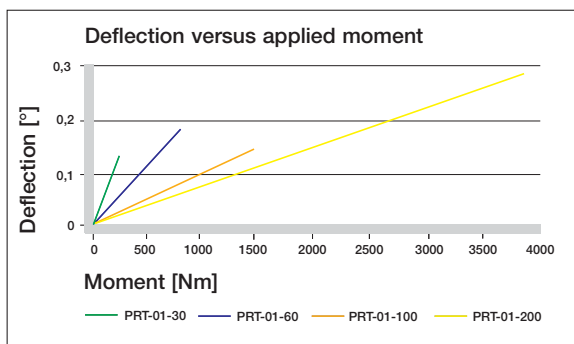


PRT Slewing Ring



Dimensions [mm]

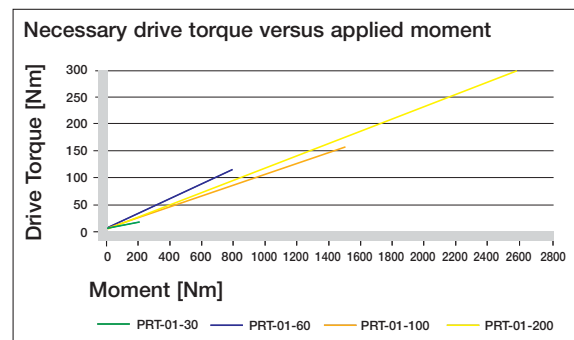
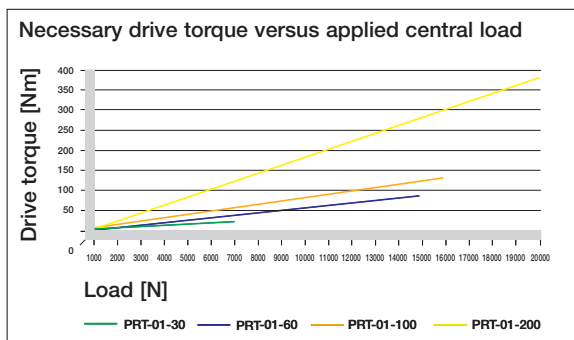
Part No.	D	D1	d1	d	d2	H	h	T1	T2	S1	S2	K1	Price		
													for 1 Screw	10 off	25 off
PRT-01-30	100	91	42,5	30	82	29	10	8 x 45°	8 x 45°	M4	4,5	M4	£98,20	£87,80	£84,35
PRT-01-60	160	145	74	60	130	33	10	10 x 36°	20 x 18°	M5	5,5	M5	£147,50	£136,30	£126,90
PRT-01-100	185	170	112	100	160	34	12	12 x 30°	16 x 22,5°	M5	5,5	M5	£273,20	£248,60	£237,10
PRT-01-150	250	235	165	150	220	35	12	12 x 30°	16 x 22,5°	M5	5,5	M5	£378,20	£353,80	£342,10
PRT-01-200	300	285	215	200	274	38	15	12 x 30°	16 x 22,5°	M6	7,0	M6	£487,50	£459,00	£437,20



All load values assume the PRT is assembled with socket head screws (strength class 8.8) on the outside pitch circle diameter. For the assembly of the PRT the screws have to be inserted to a minimum thread depth of 10mm.

- PRT-01-30: M4, min. 8 screws
- PRT-01-60: M5, min. 10 screws
- PRT-01-100: M5, min. 12 screws
- PRT-01-150: M5, min. 12 screws
- PRT-01-200: M6, min. 12 screws

All data can be used for both lateral and horizontal assembly.



PRT

Phone 01604 677240
Fax 01604 677242

