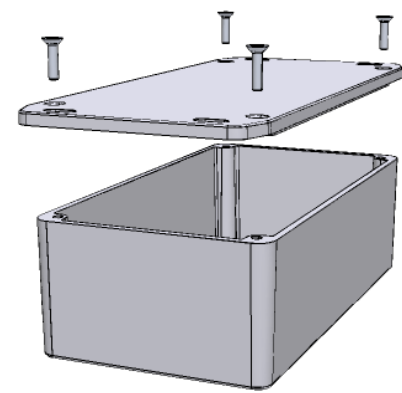
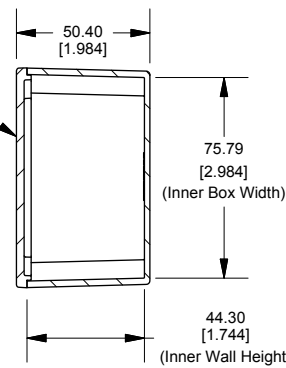
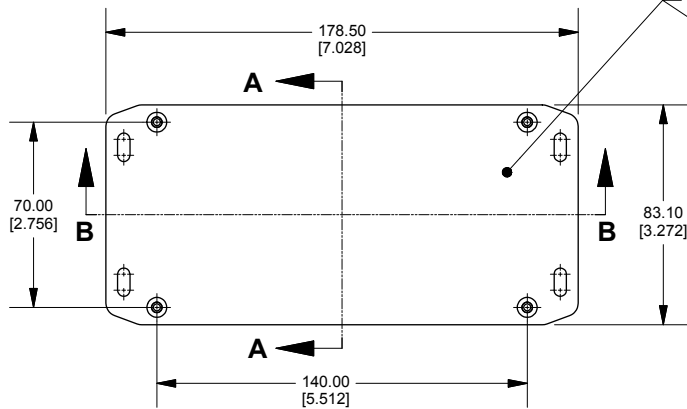


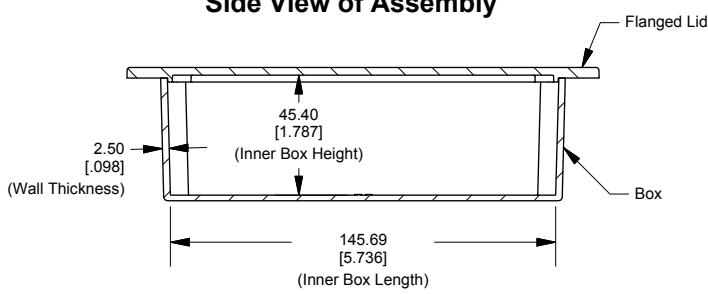
Top View of Assembly

**SECTION A-A
End View of Assembly**

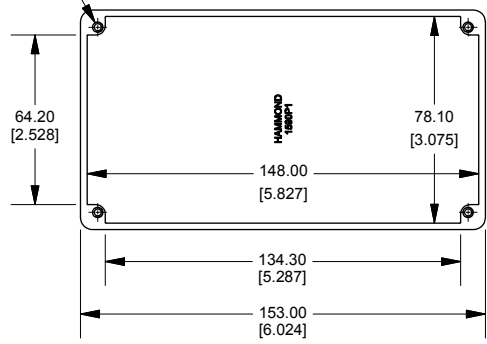


**SECTION B-B
Side View of Assembly**

Top View Looking Inside Box



6-32 UNC
□ $\varnothing 3.90 \nabla 2.70$
(Threaded Holes)



Enclosures can be Factory Modified (Milling, Drilling, Printing etc.)
Contact Factory mjm@hammondmfg.com for quotes
Solid models of this enclosure available in STEP or IGES.

NOTE

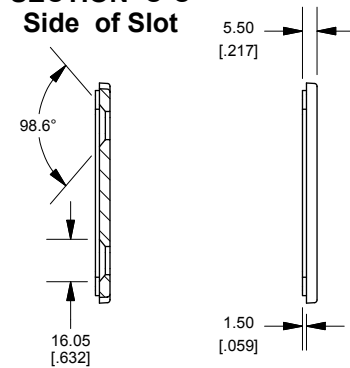
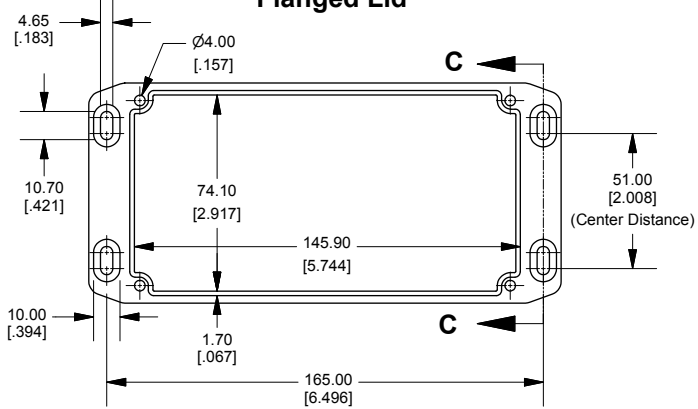
Purchased assembly includes box, lid and 4 cover screws.
Box and lid are made from Diecast Aluminum Alloy.
Silicone Gasket supplied with liquid resistant enclosure.

PART NUMBERS

1590P1FL Enclosure	
Natural Finish Enclosure	1590P1FL
Black Textured Enclosure	1590P1FLBK
1590P1FL Liquid Resistant Enclosure (Silicone Gasket)	
Natural Finish Enclosure	1590WP1FL
Black Textured Enclosure	1590WP1FLBK
ACCESSORIES	
Recommended Torque: 75 ozf.in / 55 cN.m	
Liquid Resistant Cover Screws	
Stainless Steel Cover Screws (Pkg 100) [6-32 x 1/2" With O-Ring]	1590WMS100
Black Stainless Steel Cover Screws (Pkg 100) [6-32 x 1/2" With O-Ring]	1590WMS100BK
Standard Cover Screws	
Plated Cover Screws (Pkg 100) [6-32 x 1/2"]	1590MS100
Black Cover Screws (Pkg 100) [6-32 x 1/2"]	1590MS100BK

Flanged Lid

**SECTION C-C
Side of Slot**



Dimensions:
mm
[inches]