

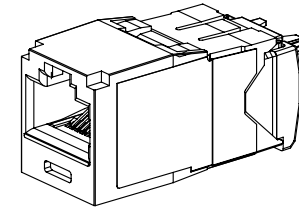
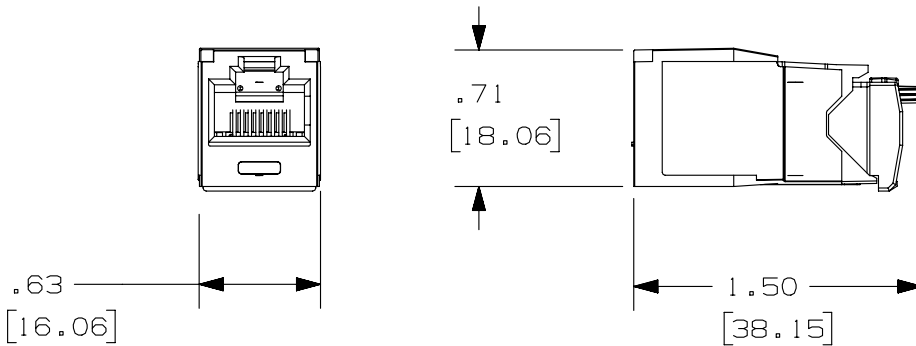
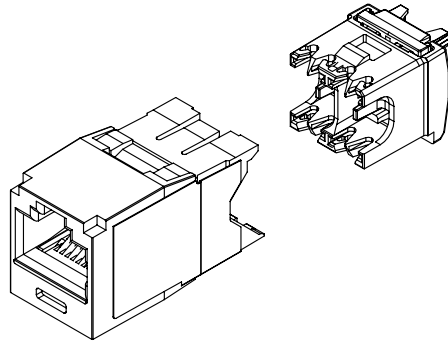
THIS COPY IS PROVIDED ON A RESTRICTED BASIS AND IS NOT TO BE USED IN ANY WAY DETRIMENTAL TO THE INTERESTS OF PANDUIT CORP.

PANDUIT PART#	DESCRIPTION	WEIGHT*
CJ6X88TG**	8 POSITION, 8 WIRE UNIVERSAL MODULE. BLUE WIRE CAP IS COLOR CODED FOR T568A AND T568B WIRING SCHEMES.	1.504 LB/100 PCS (682g/100 PCS)

*WEIGHT IS APPROXIMATE
**JACK COLOR SUFFIX

NOTES:

1. BLUE WIRE CAP DESIGNATES AUGMENTED CATEGORY 6A PERFORMANCE. TO DESIGNATE A JACK COLOR ADD A TWO LETTER COLOR SUFFIX.
2. SEE CURRENT CATALOG FOR AVAILABLE PART NUMBER SUFFIXES TO INDICATE COLOR AND OR PACKAGE QUANTITY.
3. MATERIAL:
MODULE HOUSING - ABS
WIRE CAP - PC
STRAIN RELIEF CLIP - PC
4. ALL CATEGORY 6A, 8 POSITION, 8 WIRE CONNECTOR MODULES ARE UNIVERSAL IN DESIGN. THEY ACCEPT SIX AND EIGHT POSITION MODULAR PLUGS WITHOUT DAMAGE.
5. DIMENSIONS IN [] ARE IN METRIC.



PART NUMBER		CJ6X88TG**	
TITLE		TX6A 10G1G JACK MODULE	
		CUSTOMER DRAWING	
ITEM REVISION NAME		M01874BB/15	PANDUIT
DATASET FILE NAME		M01874BB_DC40/15A	
UNLESS OTHERWISE SPECIFIED, DIMENSIONAL TOLERANCES ARE: IN [mm]		MATERIAL: SEE NOTES	
.x ± .xxx ± .010 [.3] .xx ± .03 [.8]		DRAWING NUMBER: 01874-40	
ANGLES ±		THIRD ANGLE PROJECTION	
DRAWN BY	DATE	CHK	SCALE
MOJ	9-29-04	PBD	NONE
REV	DATE	BY	CHK
6	6/17/14	JSP	REFR
APR	DESCRIPTION		ECN
EJH	REVISED AND REDRAWN, PREVIOUS REVISIONS HAVE BEEN OMITTED.		01874-40
SHT 1 OF 1		SIZE A	

D10100DA/14