

NOTES:

- ⊕ REPRESENTS A CRITICAL DIMENSION.
- MINIMUM PUSHOUT FORCE: 1LB.
- COPLANARITY TO BE:
 - DH: -36 THRU -28 POS: .008[0.20]
 - 02 THRU -27 POS: .006[0.15]
 - SV, SH: .006[0.15].
- PACKAGE IN TUBES PER SHT 3, TABLE 2. ALL OTHER POSITIONS BULK PACKAGE.
- MAXIMUM CUT FLASH: .015[0.38].
- NOTCH OF PPP-12 TO BE ORIENTED TOWARD SAME END AS POSITION 1.
- ROWS TO BE WITHIN .004[0.10] OF ONE ANOTHER.
- 36 MAX POSITION AVAILABLE, -50 FOR STOCK ONLY.
- ENDWALL AFTER CUTTING: .033[0.84]±.005[0.13]
- DUE TO THE HIGH AMOUNT OF INSERTION FORCE NEEDED, THE -LC OPTION IS NOT COMPATIBLE WITH AUTO PLACEMENT. SAMTEC RECOMMENDS MANUAL PLACEMENT FOR ALL ASSEMBLIES WITH THE -LC OPTION.
- FOR -SV TAIL STYLE: EVEN CUTS LOSE 2 POSITIONS PER CUT; ODD CUTS LOSE 1 POSITION PER CUT.
- IF POLARIZATION OCCURS AT CENTER POSITION(S) OF BODY, MOVE PICK & PLACE PAD LEFT OR RIGHT TO NEXT AVAILABLE POSITION.

DO NOT SCALE FROM THIS PRINT

SSM-1XX-XXX-XX-XX-XX-X-XX-XX

- PLATING SPECIFICATION**
- S: 30μ" SELECTIVE GOLD IN CONTACT AREA, MATTE TIN ON TAIL.
 - L: 10μ" SELECTIVE GOLD IN CONTACT AREA, MATTE TIN ON TAIL.
 - T: MATTE TIN ON CONTACT AND TAIL.
 - F: 3μ" SELECTIVE GOLD IN CONTACT AREA, MATTE TIN ON TAIL.
 - STL: 30μ" SELECTIVE GOLD IN CONTACT AREA, TIN/LEAD (90/10) ON TAIL.
 - H: 30μ" SELECTIVE GOLD IN CONTACT AREA, 3μ" SELECTIVE GOLD ON TAIL.
 - LM: 10μ" SELECTIVE GOLD IN CONTACT AREA, MATTE TIN ON TAIL.
 - TM: MATTE TIN ON CONTACT AND TAIL.
 - FM: 3μ" SELECTIVE GOLD IN CONTACT
- TAIL SPECIFICATION**
- SV: SINGLE VERTICAL (SEE FIG 1) (USE SSM-XX-S)
 - SH: SINGLE HORIZONTAL (SEE FIG 3, SHT 2) (USE SSM-XX-SH)
 - DH: DOUBLE HORIZONTAL (SEE FIG 4, SHT 2) (USE BCH-XX-D)
- OPTION**
- TR: TAPE AND REEL (SEE FIG 8, SHT 3) (29 POSITIONS MAX)
 - P: PICK AND PLACE PAD (ONLY AVAILABLE ON -SV, USE PPP-12, SEE FIG 6, SHT 2) (SEE NOTE 12)
 - K: POLYIMIDE FILM PAD (SEE FIG 5, SHT 2) (USE K-500-500) (NOT AVAILABLE ON -SH AND -DH)
- POLARIZATION OPTION**
- XX: POSITION TO BE POLARIZED (USE PK-06-N, SEE FIG 7, SHT 2 FOR POLARIZATION POSITIONS) (NOT AVAILABLE FOR -BE OPTION)
- MOUNTING OPTION**
- LC: LOCKING CLIP (USE LC-05-TM, SEE NOTE 10) (FOR -SH AND -DH USE MOLDED TO POSITION BODIES)
- OPTION**
- BE: BOTTOM ENTRY (ONLY AVAILABLE ON -SV) (USE SSM-XX-S-BE) (SEE FIG 2, SHT 2)

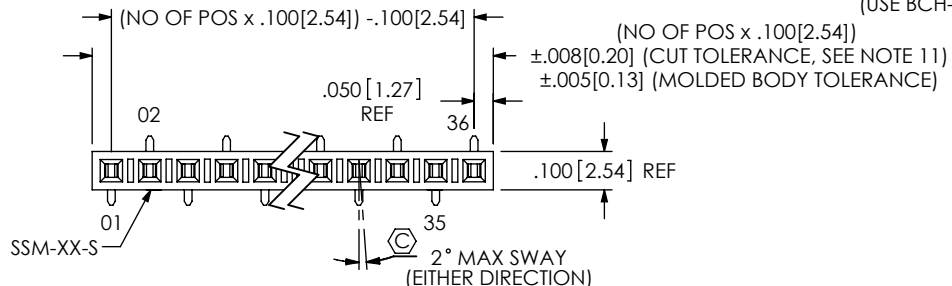


TABLE 1

| BODY/LEAD STYLE | CONTACT #1 | CONTACT #2 |
|-----------------|------------|------------|
| -SV | C-95-02-X | N/A |
| -SH | C-58-06-X | N/A |
| -DH | C-58-08-X | C-58-07-X |

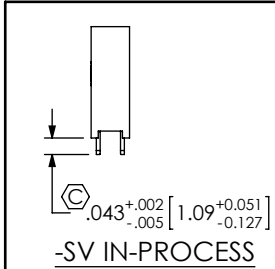
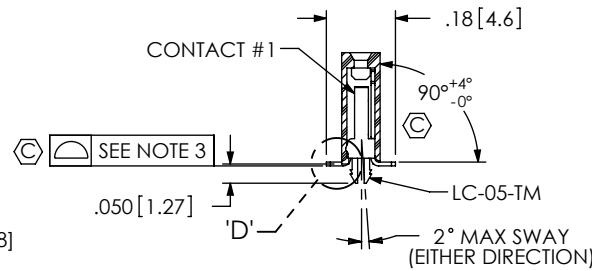
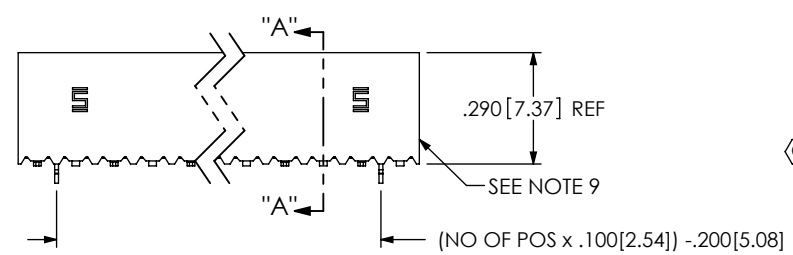
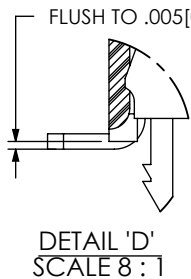


FIG 1
-SV: SINGLE VERTICAL ROW (SSM-1XX-XXX-SV-LC SHOWN)

| | | | | |
|---|---|--|------------|--------------|
| UNLESS OTHERWISE SPECIFIED, DIMENSIONS ARE IN INCHES. TOLERANCES ARE: DECIMALS ANGLES .XX: ±.01 [0.3] 2° .XXX: ±.005 [0.13] .XXXX: ±.0020 [0.051] | PROPRIETARY NOTE THIS DOCUMENT CONTAINS INFORMATION CONFIDENTIAL AND PROPRIETARY TO SAMTEC, INC. AND SHALL NOT BE REPRODUCED OR TRANSFERRED TO OTHER DOCUMENTS OR DISCLOSED TO OTHERS OR USED FOR ANY PURPOSE OTHER THAN THAT WHICH IT WAS OBTAINED WITHOUT THE EXPRESSED WRITTEN CONSENT OF SAMTEC, INC. | | | |
| | | 520 PARK EAST BLVD., NEW ALBANY, IN 47150 PHONE: 812-944-6733 FAX: 812-948-5047 e-Mail: info@SAMTEC.com code 55322 | | |
| MATERIAL: DO NOT SCALE DRAWING SHEET SCALE: 2:1 INSULATOR: LCP, UL 94 VO, COLOR: BLACK CONTACT: PHOS BRONZE | DESCRIPTION: .100[2.54] C.L. SURFACE MOUNT SOCKET STRIP DWG. NO. SSM-1XX-XXX-XX-XX-XX-X-XX-XX | BY: KOLB | 09/11/1998 | SHEET 1 OF 3 |

REVISION CL

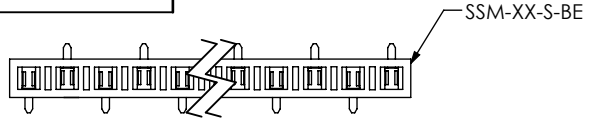


FIG 2
-SV-BE: SINGLE VERTICAL ROW BOTTOM ENTRY
(SSM-1XX-XXX-SV-BE SHOWN)
(DIFFERENT AS SHOWN, OTHERWISE SAME AS FIG 1)

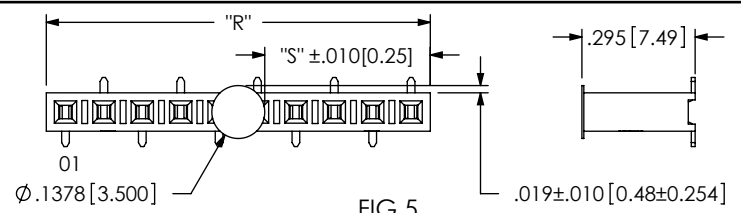


FIG 5
-K: KAPTON PAD
(SSM-110-XXX-SV-K SHOWN)
(DIFFERENT AS SHOWN, OTHERWISE SAME AS FIG 1)
"R" = SEE FIG 1, SHEET 1 FOR OAL
"S" = "R"/2 - .0689 [1.750]

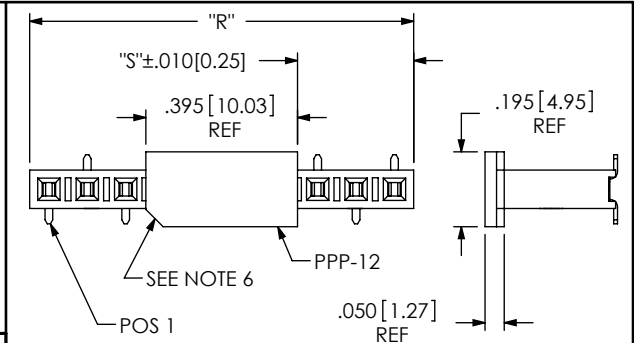


FIG 6
-P: PICK AND PLACE PAD
(SSM-110-XXX-SV-P SHOWN)
-02 AND -03 POS NOT AVAILABLE WITH POLARIZATION
-04 POS - CANNOT OFFER IF POLARIZATION IS POS 2 OR 3
-05 POS - CANNOT OFFER IF POLARIZATION IS POS 3
*MUST USE TR ON POS 2 & 3
(DIFFERENT AS SHOWN, OTHERWISE SAME AS FIG 1)
"R" = SEE FIG 1, SHEET 1 FOR OAL
"S" = IF NO OF POS IS EVEN: "R"/2 - .1975 [5.017]
IF NO OF POS IS ODD: "R"/2 - .2475 [6.287]

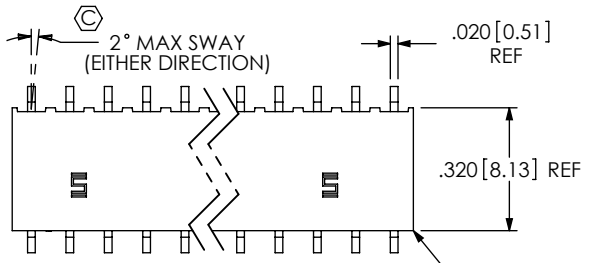
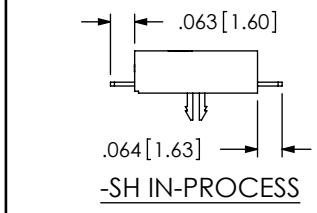
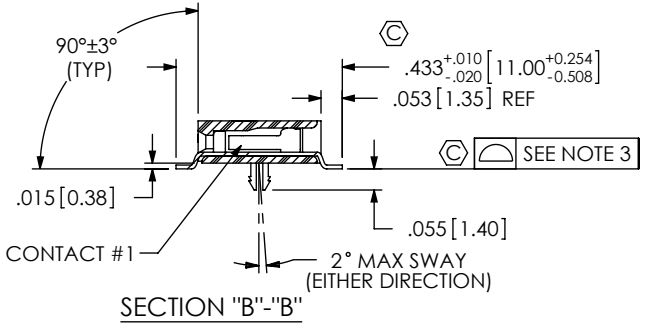


FIG 3
-SH: SINGLE HORIZONTAL
(SSM-136-XXX-SH-LC SHOWN)
(DIFFERENT AS SHOWN, OTHERWISE SAME AS FIG 1)



-SH IN-PROCESS



SECTION "B"-"B"

IF CENTER POS IS POLARIZED, USE TABLE BELOW

| NO OF POS | DIRECTION PAD MOVED (1 POS TO NEXT AVAIL) | MIN POS | FORMULA |
|-----------|---|---------|-----------------------------|
| EVEN | LEFT | 6 | "S" = "R"/2 - .0975 [2.477] |
| EVEN | RIGHT | 6 | "S" = "R"/2 - .2975 [7.557] |
| ODD | LEFT | 5 | "S" = "R"/2 - .1475 [3.747] |
| ODD | RIGHT | 7 | "S" = "R"/2 - .3475 [8.827] |

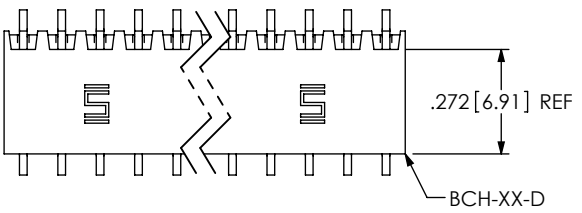
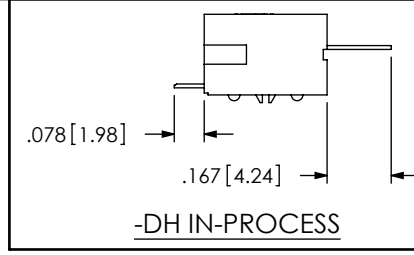
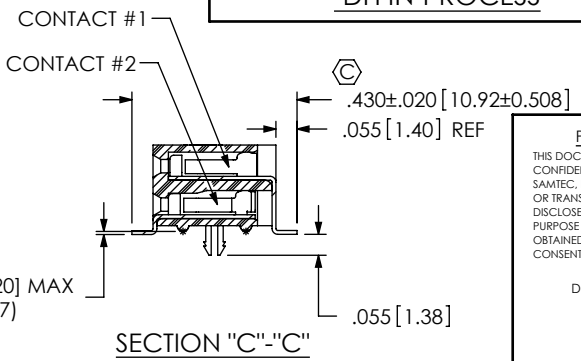


FIG 4
-DH: DOUBLE HORIZONTAL
(SSM-1XX-XXX-DH-LC SHOWN)
(DIFFERENT AS SHOWN, OTHERWISE SAME AS FIG 3)



-DH IN-PROCESS



SECTION "C"-"C"

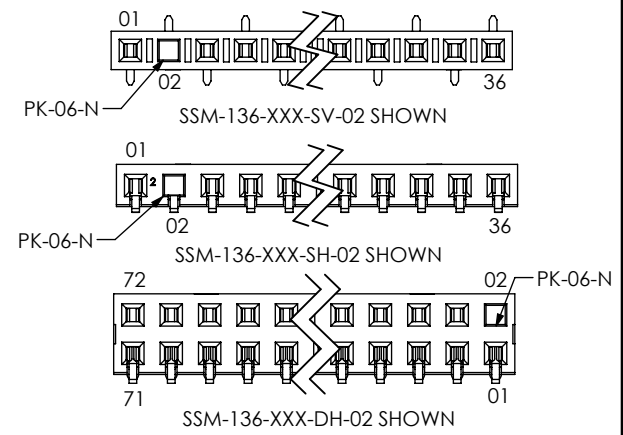


FIG 7
POLARIZATION
(DIFFERENT AS SHOWN, OTHERWISE SAME AS FIG 1)

PROPRIETARY NOTE
THIS DOCUMENT CONTAINS INFORMATION CONFIDENTIAL AND PROPRIETARY TO SAMTEC, INC. AND SHALL NOT BE REPRODUCED OR TRANSFERRED TO OTHER DOCUMENTS OR DISCLOSED TO OTHERS OR USED FOR ANY PURPOSE OTHER THAN THAT WHICH IT WAS OBTAINED WITHOUT THE EXPRESSED WRITTEN CONSENT OF SAMTEC, INC.

DO NOT SCALE DRAWING
SHEET SCALE: 2:1



520 PARK EAST BLVD, NEW ALBANY, IN 47150
PHONE: 812-944-6733 FAX: 812-948-5047
e-Mail info@SAMTEC.com code 55322

DESCRIPTION:
.100 [2.54] C.L. SURFACE MOUNT SOCKET STRIP

DWG. NO.
SSM-1XX-XXX-XX-XX-XX-X-XX-XX

BY: KOLB 09/11/1998 SHEET 2 OF 3

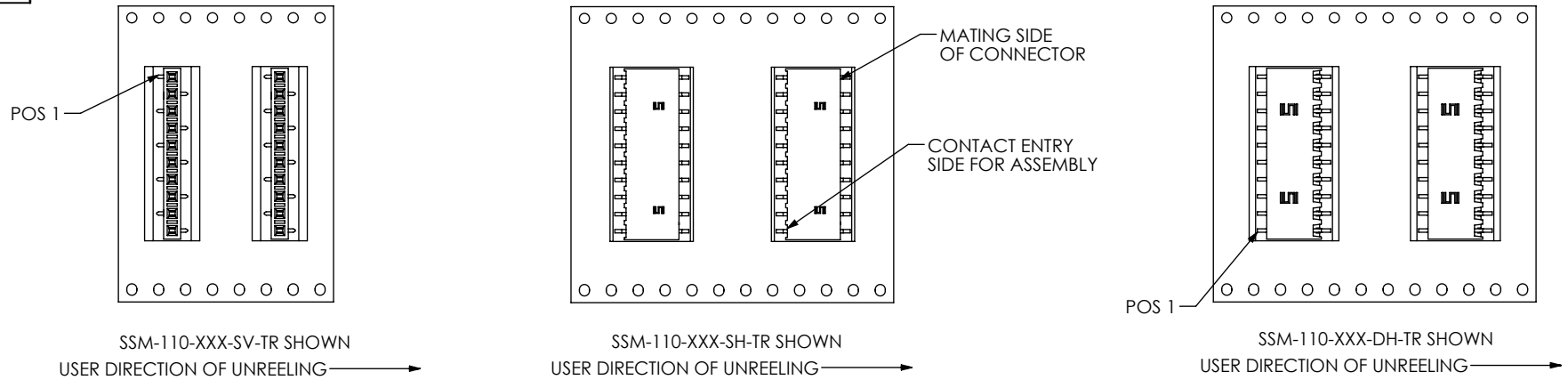


FIG 8
-TR: TAPE AND REEL
SCALE 1:1

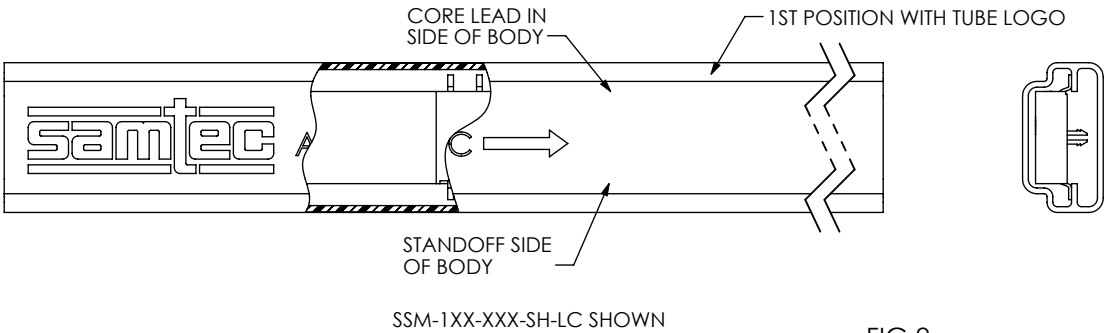
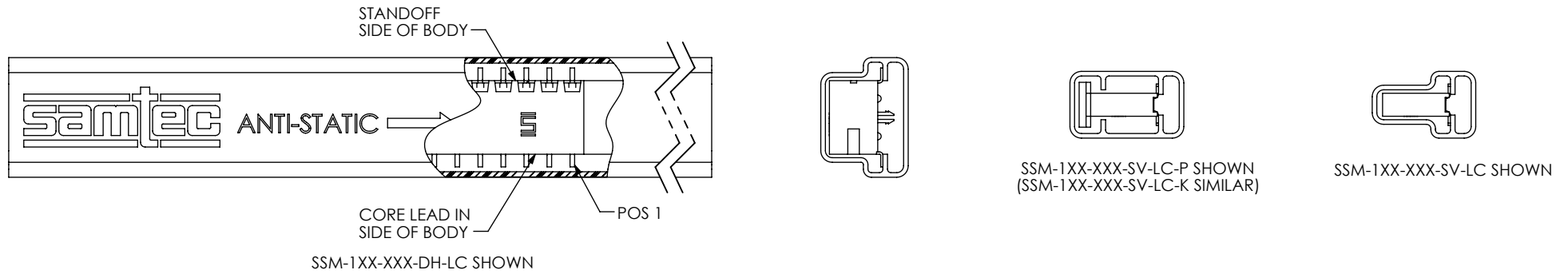


FIG 9
TUBE VIEWS

| TABLE 2 | | | |
|-------------|---------------|-----------|------------------------------|
| PART NUMBER | TUBE | PLUG | POS TO BE TUBED (SEE NOTE 4) |
| SSM-SV | PT-1-24-05-15 | TP-24 (2) | 03-36 |
| SSM-SV-LC | | | 02-36 |
| SSM-SV-P | PT-1-24-02-15 | TP-03 (2) | 04-36 |
| SSM-SV-K | | | 03-36 |
| SSM-SH | PT-1-24-07-15 | TP-03 (2) | 02-36 |
| SSM-DH | PT-1-24-06-15 | TP-07 (2) | 02-36 |

PROPRIETARY NOTE
THIS DOCUMENT CONTAINS INFORMATION CONFIDENTIAL AND PROPRIETARY TO SAMTEC, INC. AND SHALL NOT BE REPRODUCED OR TRANSFERRED TO OTHER DOCUMENTS OR DISCLOSED TO OTHERS OR USED FOR ANY PURPOSE OTHER THAN THAT WHICH IT WAS OBTAINED WITHOUT THE EXPRESSED WRITTEN CONSENT OF SAMTEC, INC.

DO NOT SCALE DRAWING

SHEET SCALE: 3:2



520 PARK EAST BLVD, NEW ALBANY, IN 47150
PHONE: 812-944-6733 FAX: 812-948-5047
e-Mail info@SAMTEC.com code 55322

DESCRIPTION:
.100[2.54] C.L. SURFACE MOUNT SOCKET STRIP

DWG. NO.
SSM-1XX-XXX-XX-XX-XX-X-XX-XX

BY: KOLB 09/11/1998 SHEET 3 OF 3