



CES KEY-OPERATED SWITCH, 22MM, ROUND, PLASTIC, LOCK NO. SSG10, WITH 2 KEYS, 3 SWITCH POSITIONS I-O-II, LATCHING, ACTUATING ANGLE 2X45 DEG., 10:30H/12H/13:30H, KEY REMOVAL POS. I+O+II

Figure similar

product brand name		SIRIUS ACT
Product designation		Commanding and signaling devices
Design of the product		Key-operated switch

Actuator:

Design of the operating mechanism		Key-operated switch
Manner of function of the actuating element		latching, 2x45° (10:30 h/12 h/13:30 h)
Product expansion optional Light source		No
Color		
• of the actuating element		Silver
Material of the actuating element		metal
Shape of the actuating element		Key
Outer diameter of the actuating element	mm	29.45
Number of switching positions		3
Switch position for key distraction		O+I+II
Actuating angle		
• clockwise	°	45
• anticlockwise	°	45
Lock make		CES
Key number		SSG10

Front ring:

Product component front ring		Yes
Design of the front ring		Standard
Material of the front ring		plastic
Color of the front ring		black

General technical data:

Vibration resistance <ul style="list-style-type: none">• acc. to IEC 60068-2-6		10 ... 500 Hz: 5g
Operating frequency maximum	1/h	1 800
Mechanical service life (switching cycles) <ul style="list-style-type: none">• typical		1 000 000
Protection class IP <ul style="list-style-type: none">• of the terminal		IP20
Equipment marking <ul style="list-style-type: none">• acc. to DIN EN 61346-2• acc. to DIN EN 81346-2		S S

Ambient conditions:

Ambient temperature <ul style="list-style-type: none">• during operation• during storage	°C	-25 ... +70
	°C	-40 ... +80

Installation/ mounting/ dimensions:

Height	mm	29.45
Width	mm	29.45
Shape of the installation opening		round
Mounting diameter	mm	22

Certificates/ approvals:

Further information

Information- and Downloadcenter (Catalogs, Brochures,...)

<http://www.siemens.com/industrial-controls/catalogs>

Industry Mall (Online ordering system)

<http://www.siemens.com/industrymall>

Cax online generator

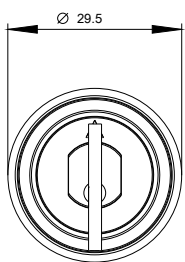
<http://support.automation.siemens.com/WW/CAXorder/default.aspx?lang=en&mlfb=3SU10005BL110AA0>

Service&Support (Manuals, Certificates, Characteristics, FAQs,...)

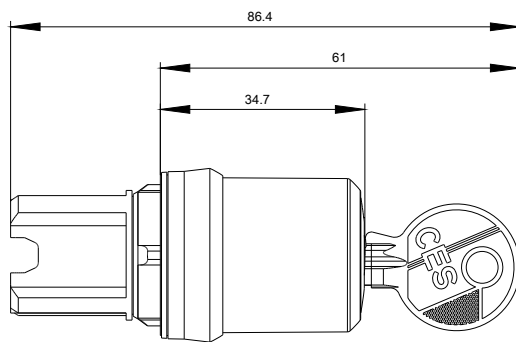
<http://support.automation.siemens.com/WW/view/en/3SU10005BL110AA0/all>

Image database (product images, 2D dimension drawings, 3D models, device circuit diagrams, EPLAN macros, ...)

http://www.automation.siemens.com/bilddb/cax_de.aspx?mlfb=3SU10005BL110AA0&lang=en



last modified:



09.03.2015