



ENGLISH

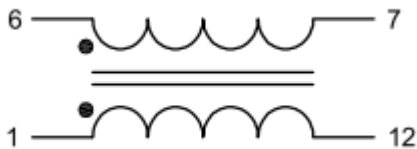
Datasheet

Stock No: 123-4266

RS Pro

Product Description: Common mode choke 2x 3.3mH / 6 Amps

Schematic :



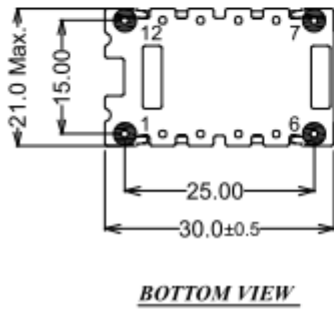
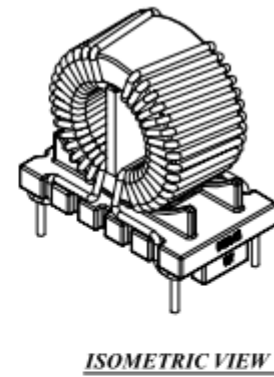
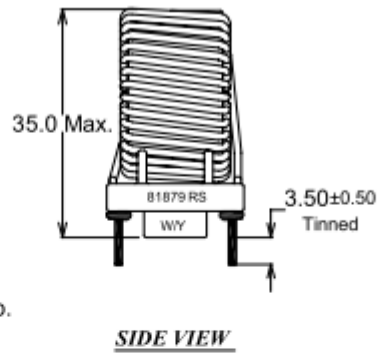
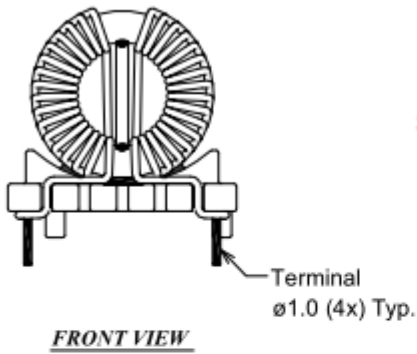
Electrical Specifications@25°C

- 1) $L_p: (1-12)=(6-7) = 3.3\text{mH} \pm 30\% @ 10\text{KHz}/0.1\text{mA}$
- 2) $\text{DCR}: (1-12)=(6-7) = 25 \text{ m}\Omega \text{ (Max.)}$
- 3) Turns Ratio $(1-12) : (6-7) = 1 : 1$
- 4) Rated Current = 6 Amps (Max.)
- 5) Rated Voltage = 250 V / 50Hz (Max.)
- 6) H.V. Test :
Wdg - Wdg = 1.50 KVrms / 50Hz / 2sec



ENGLISH

Mechanical Specification :



Unit : mm	Dimension tolerance : ± 0.25 mm (Unless specified)	Pin pitch tolerance : ± 0.20 mm
-----------	--	-------------------------------------

