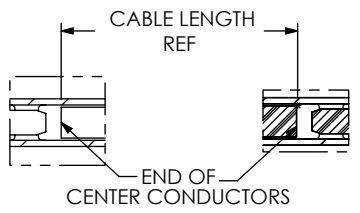


DO NOT SCALE FROM THIS PRINT

THIS PRODUCT MANUFACTURED WITH LEAD-FREE PROCESSING

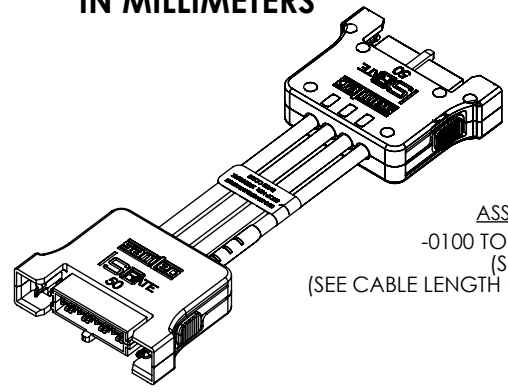
DESIGNED & DIMENSIONED IN MILLIMETERS

IJ5C-XX-XXXX-X-X-XXX-X-XX



DETAIL 'A' SCALE 8:1

DETAIL 'B' SCALE 8:1



- 01: 1 POSITION
- 02: 2 POSITIONS
- 04: 4 POSITIONS
- 06: 6 POSITIONS
- 08: 8 POSITIONS
- *-10: 10 POSITIONS

(* = NOT TOOLED)

ASSEMBLY LENGTH
-0100 TO -1000 (IN MILLIMETERS)
(SEE NOTE 6)
(SEE CABLE LENGTH FORMULA FOR PREP LENGTH)

PLATING OPTIONS
-s: 30µ" GOLD

OPTIONS

CABLE TYPE

- 1: CTB-2650F-01 (0100 MM - 1000 MM)
- 2: CCA-316 (0400 MM - 1000 MM)

SECOND END ORIENTATION

- NUS: NOTCH UP STRAIGHT (P1 TO P1; ONLY VALID W/DOUBLE ENDS)
- NDS: NOTCH DOWN STRAIGHT (P1 TO P4; ONLY VALID W/DOUBLE ENDS)

END OPTIONS

- S: SINGLE ENDED
- D: DOUBLE ENDED

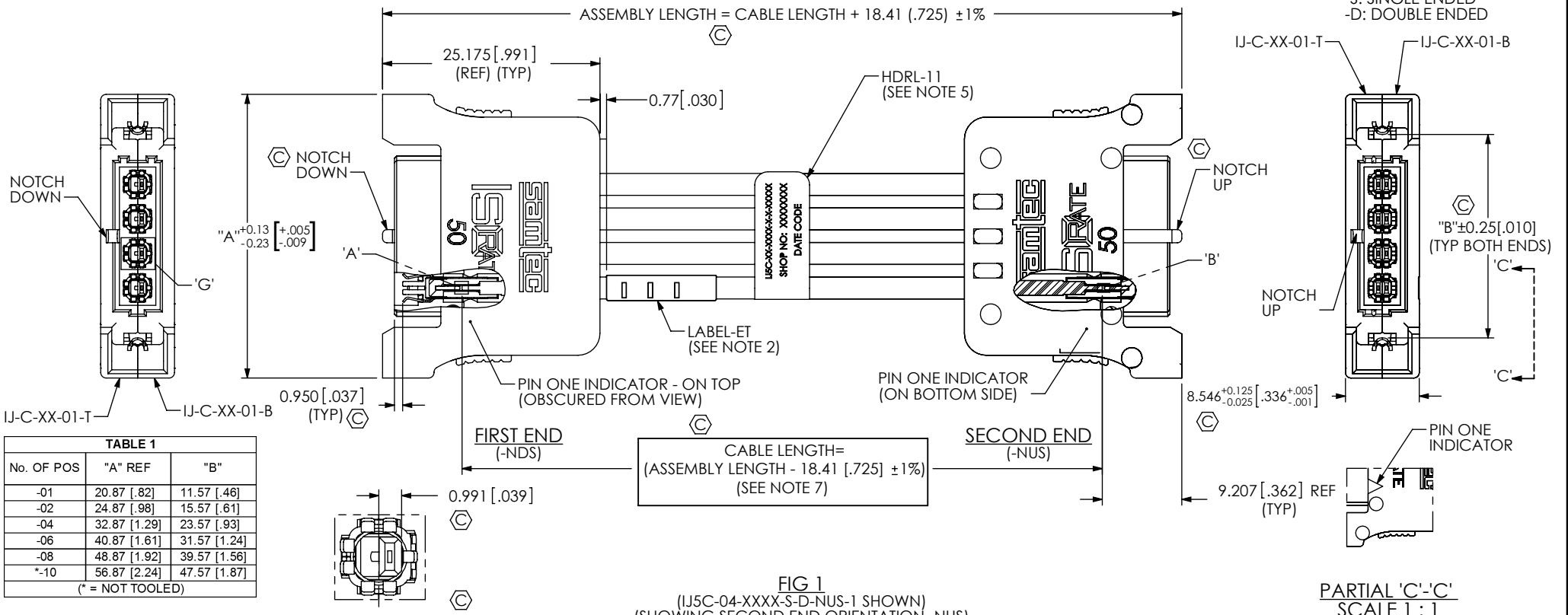


FIG 1
(IJ5C-04-XXXX-S-D-NUS-1 SHOWN)
(SHOWING SECOND END ORIENTATION -NUS)

c:\enterprise\dwg\misc\mktg\ij5c-xx-xxxx-x-x-xxx-x-xx-mkt.slddrw

NOTES:

DETAIL 'G'

1. REPRESENTS A CRITICAL DIMENSION.
2. ALL ASSEMBLIES TO BE 100% ELECTRICALLY TESTED FOR SHORTS AND OPENS.
3. ALL ASSEMBLIES TO BE 100% HI-POT TESTED AT 600V.
4. PACKAGE ASSEMBLIES IN ANTI-STATIC OR STATIC DISSIPATIVE BAGS
5. ETEST STICKER TO BE PLACED AS SHOWN. LABEL TO BE FLAGGED AROUND SINGLE WIRE AND TO BE PLACED ON CABLE ASSEMBLY AS SHOWN. LABEL TO CONTAIN: PART NUMBER, SHOP ORDER & DATE CODE.
6. CABLE LENGTH GREATER THAN 1000mm [39.4"] IS A VALID PART NUMBER, BUT IS NOT SUPPORTED BY S.I. TEST DATA.
7. CABLE LESS THAN 5" [127.0mm] HAVE A LENGTH TOLERANCE OF ±.050" [1.27mm].
8. MEASURE OVER THERMO WELD FEATURES.
9. BUILT AS IJ5C-XX-XXXX-S-D-NDS-X AND CUT TO LENGTH.

<p>UNLESS OTHERWISE SPECIFIED, DIMENSIONS ARE IN MILLIMETERS. TOLERANCES ARE:</p> <p>DECIMALS ANGLES</p> <p>.X: ±0.3[.01] 2°</p> <p>.XX: ±0.13[.005]</p> <p>.XXX: ±0.051[.0020]</p>	<p>PROPRIETARY NOTE</p> <p>THIS DOCUMENT CONTAINS CONFIDENTIAL AND PROPRIETARY INFORMATION AND ALL DESIGN, MANUFACTURING, REPRODUCTION, USE, PATENT RIGHTS AND SALES RIGHTS ARE EXPRESSLY RESERVED BY SAMTEC, INC. THIS DOCUMENT SHALL NOT BE DISCLOSED, IN WHOLE OR PART, TO ANY UNAUTHORIZED PERSON OR ENTITY NOR REPRODUCED, TRANSFERRED OR INCORPORATED IN ANY OTHER PROJECT IN ANY MANNER WITHOUT THE EXPRESS WRITTEN CONSENT OF SAMTEC, INC.</p>	<p>520 PARK EAST BLVD, NEW ALBANY, IN 47150 PHONE: 812-944-6733 FAX: 812-948-5047 e-Mail: info@SAMTEC.com code: 55322</p>

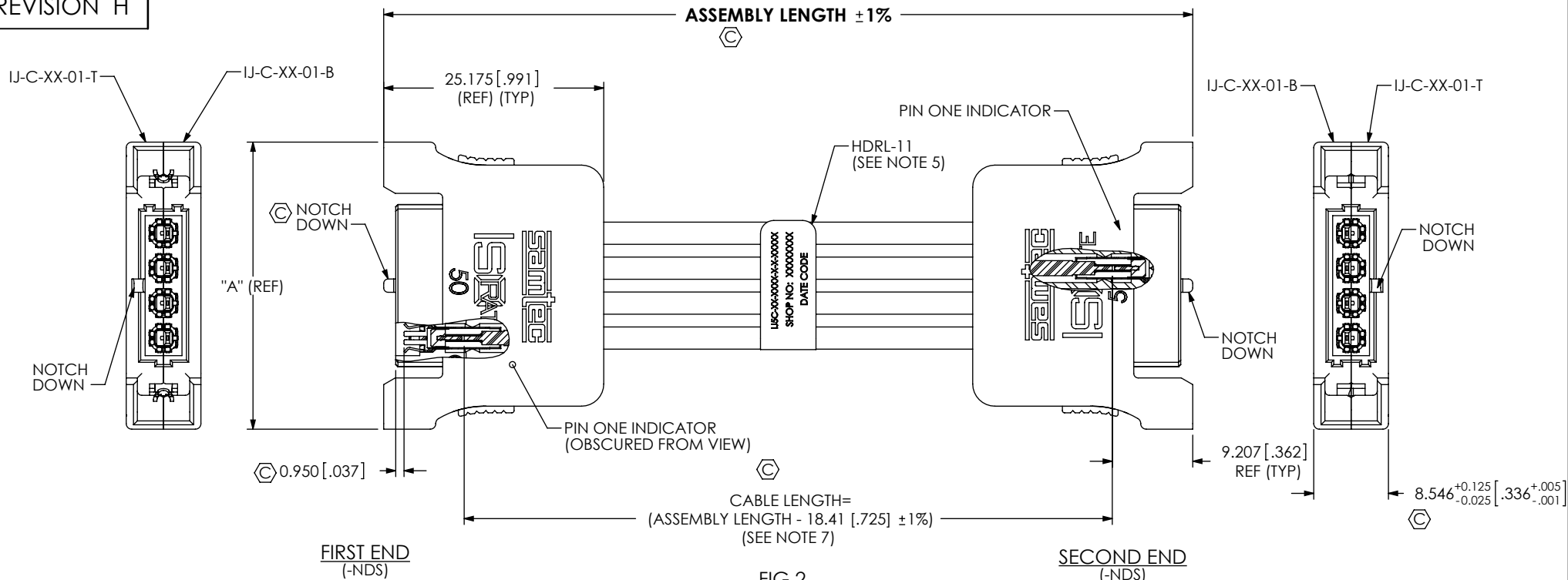


FIG 2
 (IJ5C-04-XXXX-S-D-NDS-1 SHOWN)
 (SAME AS FIG 1, EXCEPT AS SHOWN)
 (SHOWING SECOND END ORIENTATION -NDS)

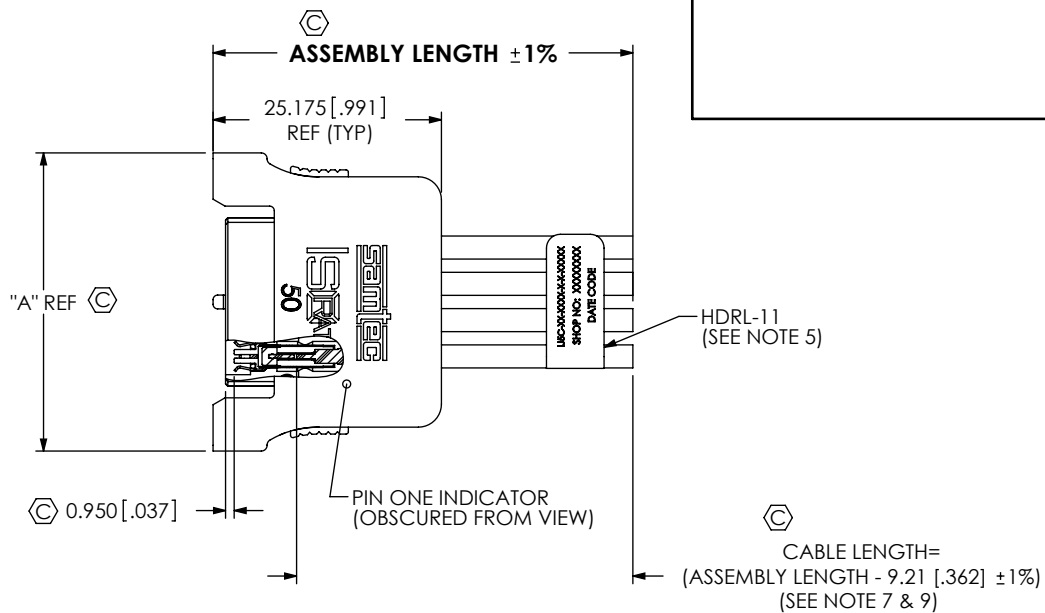


FIG 3
 (IJ5C-04-XXXX-S-S-1 SHOWN)
 (SAME AS FIG 1, EXCEPT AS SHOWN)

PROPRIETARY NOTE
 THIS DOCUMENT CONTAINS CONFIDENTIAL AND PROPRIETARY INFORMATION AND ALL DESIGN, MANUFACTURING, REPRODUCTION, USE, PATENT RIGHTS AND SALES RIGHTS ARE EXPRESSLY RESERVED BY SAMTEC, INC. THIS DOCUMENT SHALL NOT BE DISCLOSED, IN WHOLE OR PART, TO ANY UNAUTHORIZED PERSON OR ENTITY NOR REPRODUCED, TRANSFERRED OR INCORPORATED IN ANY OTHER PROJECT IN ANY MANNER WITHOUT THE EXPRESS WRITTEN CONSENT OF SAMTEC, INC.

DO NOT SCALE DRAWING
 SHEET SCALE: 1:0.666667



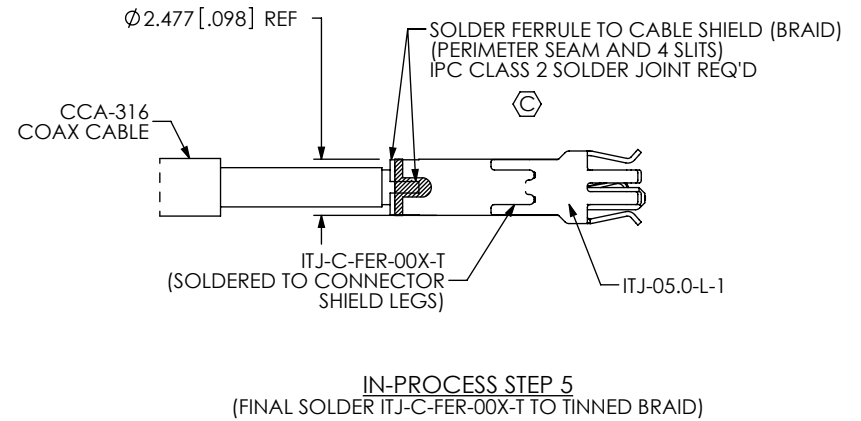
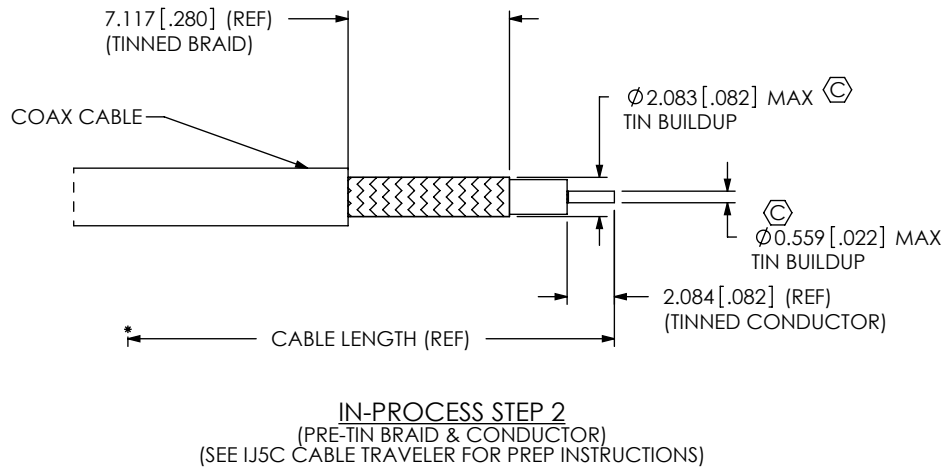
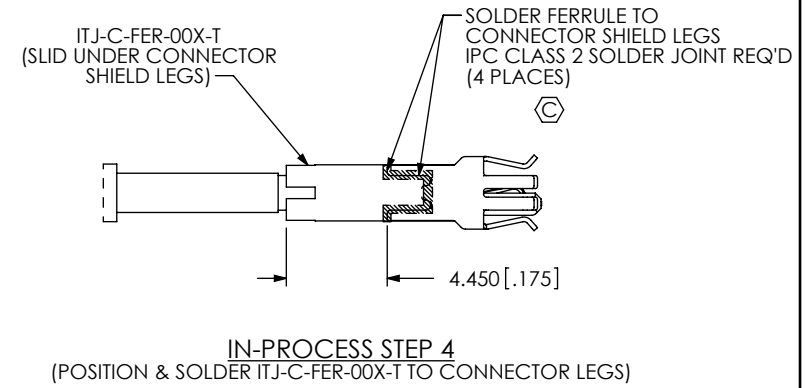
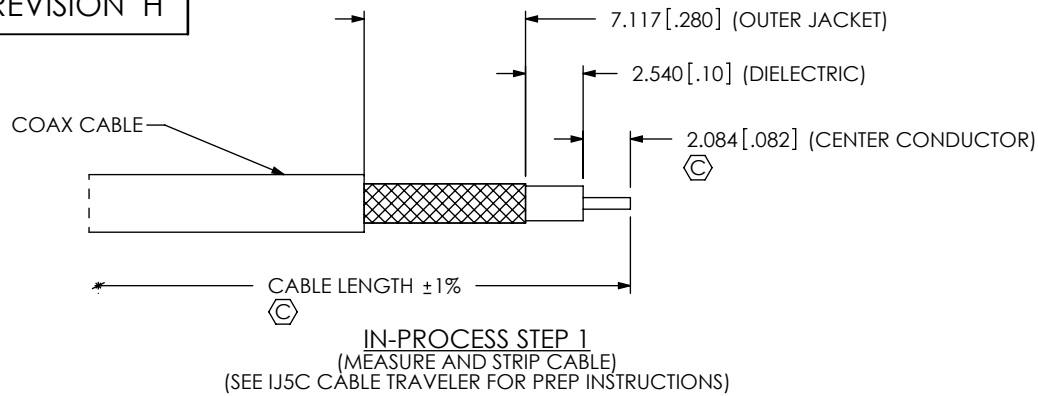
520 PARK EAST BLVD, NEW ALBANY, IN 47150
 PHONE: 812-944-6733 FAX: 812-948-5047
 e-Mail: info@SAMTEC.com code: 55322

DESCRIPTION:
CABLE ASSEMBLY, IJ5C CONNECTOR

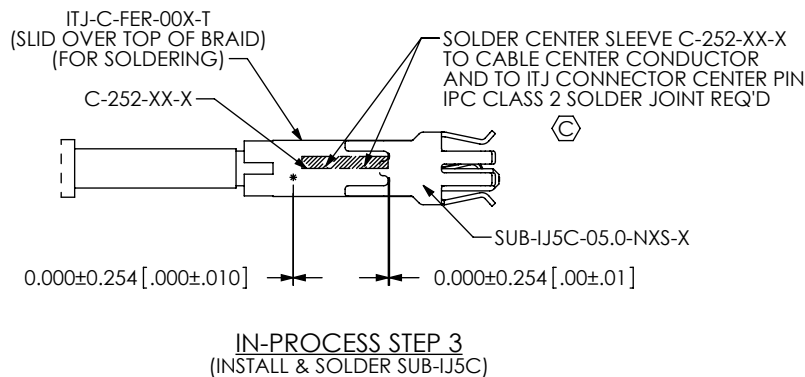
DWG. NO.
IJ5C-XX-XXXX-X-X-XXX-X-XX

BY: KNOWLDEN 04/16/2008 SHEET 2 OF 4

REVISION H



ORIENTING SUB-IJ5C-05.0-NXS-X



PROPRIETARY NOTE

THIS DOCUMENT CONTAINS CONFIDENTIAL AND PROPRIETARY INFORMATION AND ALL DESIGN, MANUFACTURING, REPRODUCTION, USE, PATENT RIGHTS AND SALES RIGHTS ARE EXPRESSLY RESERVED BY SAMTEC, INC. THIS DOCUMENT SHALL NOT BE DISCLOSED, IN WHOLE OR PART, TO ANY UNAUTHORIZED PERSON OR ENTITY NOR REPRODUCED, TRANSFERRED OR INCORPORATED IN ANY OTHER PROJECT IN ANY MANNER WITHOUT THE EXPRESS WRITTEN CONSENT OF SAMTEC, INC.

DO NOT SCALE DRAWING

SHEET SCALE: 1:1



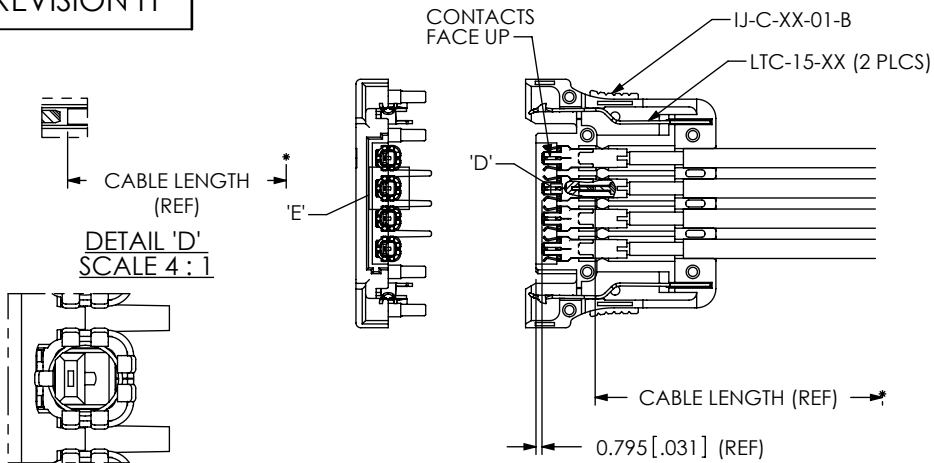
520 PARK EAST BLVD. NEW ALBANY, IN 47150
PHONE: 812-944-6733 FAX: 812-948-5047
e-Mail: info@SAMTEC.com code: 55322

DESCRIPTION:
CABLE ASSEMBLY, IJ5C CONNECTOR

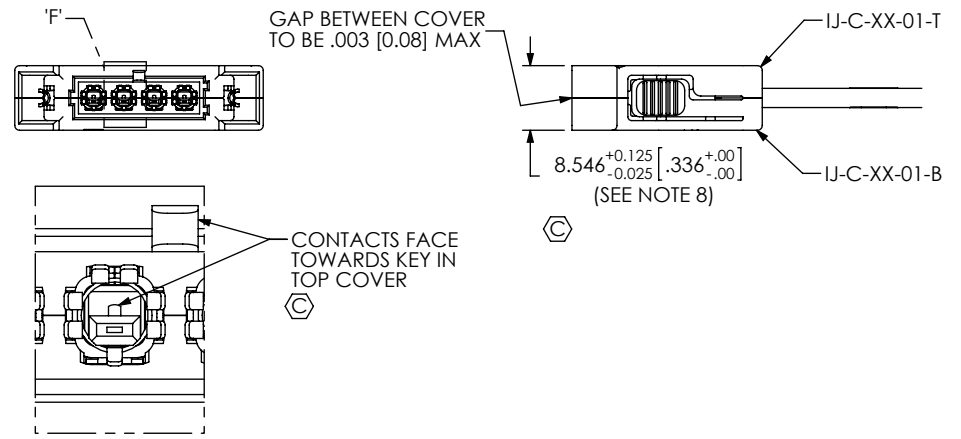
DWG. NO.
IJ5C-XX-XXXX-X-X-XXX-X-XX

BY: KNOWLDEN 04/16/2008 SHEET 3 OF 4

REVISION H

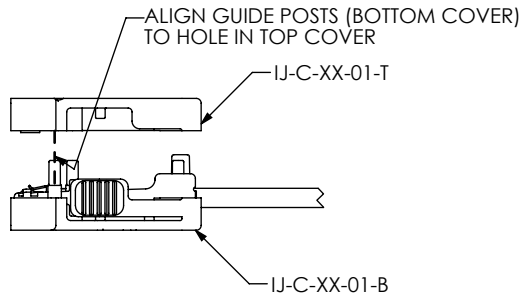


IN-PROCESS STEP 6
(FILL BOTTOM COVER HOUSING)



DETAIL 'F'
SCALE 4 : 1

IN-PROCESS STEP 8
(THERMO WELD COVERS)



IN-PROCESS STEP 7
(ASSEMBLE TOP COVER HOUSING)

No. OF POS	END OPTION	CABLE TYPE		SUB	FERRULE	TOP HOUSING	BOTTOM HOUSING	LATCH
		OPTION	CABLE NAME					
-01	-S	-1	CTB-2650F-01	SUB-IJ5C-05.0-NXS-XXX	ITJ-C-FER-001-T ITJ-C-FER-002-T	IJ-C-01-01-T	IJ-C-01-01-B	LTC-15-01
		-2	CCA-316					
-01	-D	-1	CTB-2650F-01	SUB-IJ5C-05.0-NXS-XXX	ITJ-C-FER-001-T ITJ-C-FER-002-T	IJ-C-01-01-T	IJ-C-01-01-B	LTC-15-01
		-2	CCA-316					
-02	-S	-1	CTB-2650F-01	SUB-IJ5C-05.0-NXS-XXX	ITJ-C-FER-001-T ITJ-C-FER-002-T	IJ-C-02-01-T	IJ-C-02-01-B	LTC-15-01
		-2	CCA-316					
-02	-D	-1	CTB-2650F-01	SUB-IJ5C-05.0-NXS-XXX	ITJ-C-FER-001-T ITJ-C-FER-002-T	IJ-C-02-01-T	IJ-C-02-01-B	LTC-15-01
		-2	CCA-316					
-04	-S	-1	CTB-2650F-01	SUB-IJ5C-05.0-NXS-XXX	ITJ-C-FER-001-T ITJ-C-FER-002-T	IJ-C-04-01-T	IJ-C-04-01-B	LTC-15-01
		-2	CCA-316					
-04	-D	-1	CTB-2650F-01	SUB-IJ5C-05.0-NXS-XXX	ITJ-C-FER-001-T ITJ-C-FER-002-T	IJ-C-04-01-T	IJ-C-04-01-B	LTC-15-01
		-2	CCA-316					
-06	-S	-1	CTB-2650F-01	SUB-IJ5C-05.0-NXS-XXX	ITJ-C-FER-001-T ITJ-C-FER-002-T	IJ-C-06-01-T	IJ-C-06-01-B	LTC-15-01
		-2	CCA-316					
-06	-D	-1	CTB-2650F-01	SUB-IJ5C-05.0-NXS-XXX	ITJ-C-FER-001-T ITJ-C-FER-002-T	IJ-C-06-01-T	IJ-C-06-01-B	LTC-15-01
		-2	CCA-316					
-08	-S	-1	CTB-2650F-01	SUB-IJ5C-05.0-NXS-XXX	ITJ-C-FER-001-T ITJ-C-FER-002-T	IJ-C-08-01-T	IJ-C-08-01-B	LTC-15-01
		-2	CCA-316					
-08	-D	-1	CTB-2650F-01	SUB-IJ5C-05.0-NXS-XXX	ITJ-C-FER-001-T ITJ-C-FER-002-T	IJ-C-08-01-T	IJ-C-08-01-B	LTC-15-01
		-2	CCA-316					
*-10	-S	-1	CTB-2650F-01	SUB-IJ5C-05.0-NXS-XXX	ITJ-C-FER-001-T ITJ-C-FER-002-T	IJ-C-10-01-T	IJ-C-10-01-B	LTC-15-01
		-2	CCA-316					
*-10	-D	-1	CTB-2650F-01	SUB-IJ5C-05.0-NXS-XXX	ITJ-C-FER-001-T ITJ-C-FER-002-T	IJ-C-10-01-T	IJ-C-10-01-B	LTC-15-01
		-2	CCA-316					

(* = NOT TOOLED)

PROPRIETARY NOTE
THIS DOCUMENT CONTAINS CONFIDENTIAL AND PROPRIETARY INFORMATION AND ALL DESIGN, MANUFACTURING, REPRODUCTION, USE, PATENT RIGHTS AND SALES RIGHTS ARE EXPRESSLY RESERVED BY SAMTEC, INC. THIS DOCUMENT SHALL NOT BE DISCLOSED, IN WHOLE OR PART, TO ANY UNAUTHORIZED PERSON OR ENTITY NOR REPRODUCED, TRANSFERRED OR INCORPORATED IN ANY OTHER PROJECT IN ANY MANNER WITHOUT THE EXPRESS WRITTEN CONSENT OF SAMTEC, INC.

DO NOT SCALE DRAWING
SHEET SCALE: 1:1



520 PARK EAST BLVD, NEW ALBANY, IN 47150
PHONE: 812-944-6733 FAX: 812-948-5047
e-Mail: info@SAMTEC.com code: 55322

DESCRIPTION:
CABLE ASSEMBLY, IJ5C CONNECTOR
DWG. NO.
IJ5C-XX-XXXX-X-X-XXX-X-XX
BY: KNOWLDEN 04/16/2008 SHEET 4 OF 4