

IEC Appliance Inlet C14, Snap-in Mounting, Front Side, Solder or Quick-connect Terminal

**Description**

- Panel Mount:
 - Snap-in version, from front side
- Appliance Inlet, Pin temperature 70 °C Protection class I
- Solder terminals

Approvals

- UL File Number: E132270
- CSA File Number: 73690

Characteristics

- Designed for standard applications
- Qualified for use in equipment according IEC/EN 60950

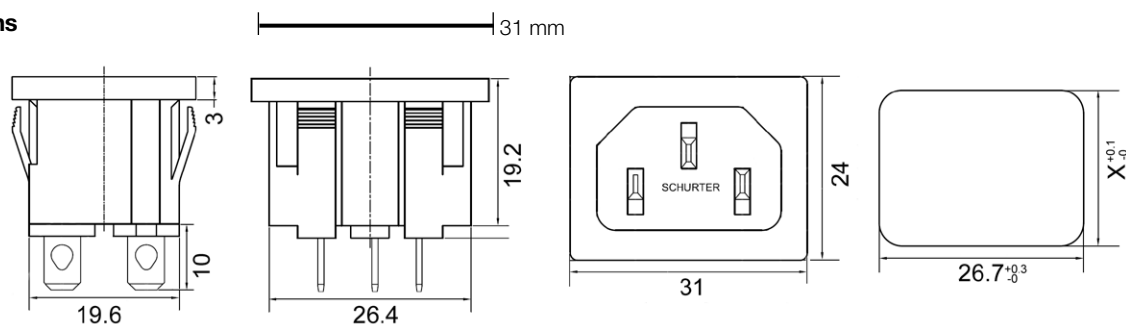
References**Weblinks**

[General Product Information](#), [Approvals](#), [RoHS](#), [CHINA-RoHS](#), [Mating Connectors](#), [e-Store](#), [SCHURTER-Stock-Check](#), [Distributor-Stock-Check](#), [Accessories](#)

Technical Data

Ratings IEC	10A / 250VAC; 50Hz
Ratings UL/CSA	15A / 250VAC; 60Hz
Dielectric Strength	> 2kVAC between L-N > 2kVAC between L/N-PE (1 min/50Hz)
Allowable Operation Temp.	-25 °C to +70 °C
Degree of Protection	from front side IP 30 acc. to IEC 60529
Protection Class	Suitable for appliances with protection class 1 acc. to IEC 61140
Terminal	Solder
Panel Thickness s	Snap-in from 0.8mm to 2mm universal
Material: Housing	Thermoplastic, black, UL 94V-0

Appliance Inlet	C14 acc. to IEC/EN 60320-1 UL 498, CSA C22.2 no. 42 (for cold conditions) pin-temperature 70 °C, 10A, Protection Class 1
-----------------	---

Dimensions

Terminals: 4.8x0.8
X=20.3: 0.8-1.2
X=20.5: 1.3-2.0

Variants

Terminal	Order Number
Solder	4300.0704

Packaging unit 50 Pcs

Mating Outlets/Connectors

Category / Description

Datasheet

Connectors (Inlets/Outlets)

0711



Appliance InletOverview complete

IEC Appliance inlet C16

0169

Appliance Inletfurther types to0711



Appliance OutletOverview complete

IEC Appliance Outlet F, Screw-on Mounting, Front Side, Solder Terminal

4787

IEC Appliance Outlet F, Snap-in Mounting, Front Side, Solder or Quick-connect Terminal

4788

IEC Appliance Outlet F or H, Screw-on Mounting, Front Side, Solder, PCB or Quick-connect Terminal

5091

IEC Appliance Outlet F or H, Screw-on Mounting, Front Side, Solder or Quick-connect Terminal

5092

Appliance Outletfurther types to0711



ConnectorOverview complete

IEC Connector C15, Rewireable, Straight

0101

IEC Connector C15A, Rewireable, Straight

0102

IEC Connector C15A, Rewireable, Straight

0102-G

IEC Connector C15A, Rewireable, Angled

0112

IEC Connector C13, Rewireable, Angled

4012

Connectorfurther types to0711

...

Power CordOverview complete



Power Cord with IEC Connector C13, Angled

0311

Power Cord with IEC Connector C13, Angled

3011

Power Cord with IEC Connector C13, Angled

3012

Power Cord with IEC Connector C13, Angled

3013

Power Cord with IEC Connector C13

3020

Power Cordfurther types to0711

...

Power Supply or Interconnection CordOverview complete

Divers Power Supply and Interconnection Cords 10 A

Kabelverbindung/10 A

Power Supply or Interconnection Cordfurther types to0711

IEC Appliance Inlet C14, Snap-in Mounting, Front Side, Solder or Quick-connect Terminal



C14

 70 °C

**Description**

- Panel Mount:
Snap-in version, from front side
- Appliance Inlet, Pin temperature 70 °C Protection class I
- Solder terminals

Approvals

- UL File Number: E132270
- CSA File Number: 73690

Characteristics

- Designed for standard applications
- Qualified for use in equipment according IEC/EN 60950

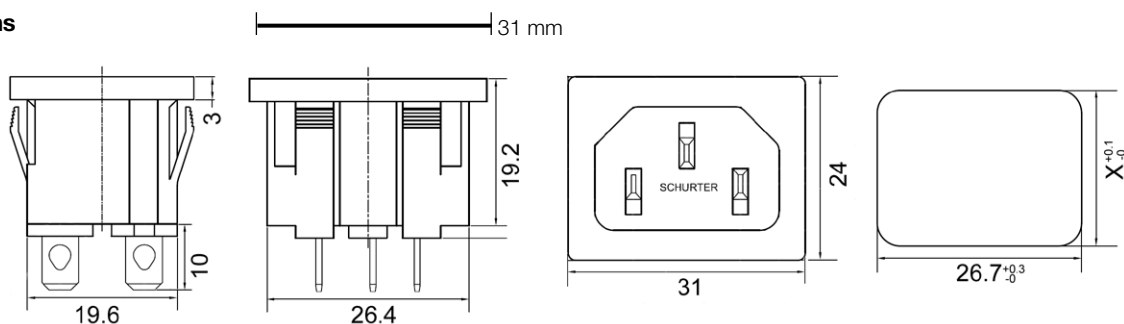
References**Weblinks**

[General Product Information](#), [Approvals](#), [RoHS](#), [CHINA-RoHS](#), [Mating Connectors](#), [e-Store](#), [SCHURTER-Stock-Check](#), [Distributor-Stock-Check](#), [Accessories](#)

Technical Data

Ratings IEC	10A / 250VAC; 50Hz
Ratings UL/CSA	15A / 250VAC; 60Hz
Dielectric Strength	> 2kVAC between L-N > 2kVAC between L/N-PE (1 min/50Hz)
Allowable Operation Temp.	-25 °C to +70 °C
Degree of Protection	from front side IP 30 acc. to IEC 60529
Protection Class	Suitable for appliances with protection class 1 acc. to IEC 61140
Terminal	Solder
Panel Thickness s	Snap-in from 0.8mm to 2mm universal
Material: Housing	Thermoplastic, black, UL 94V-0

Appliance Inlet	C14 acc. to IEC/EN 60320-1 UL 498, CSA C22.2 no. 42 (for cold conditions) pin-temperature 70 °C, 10A, Protection Class 1
-----------------	---

Dimensions

Terminals: 4.8x0.8
 X=20.3: 0.8-1.2
 X=20.5: 1.3-2.0

Variants

Terminal	Order Number
Solder	4300.0704

Packaging unit 50 Pcs

Mating Outlets/Connectors

Category / Description



[Appliance Inlet Overview complete](#)

IEC Appliance inlet C16	0169
-------------------------	------

[Appliance Inlet further types to 0711](#)



[Appliance Outlet Overview complete](#)

IEC Appliance Outlet F, Screw-on Mounting, Front Side, Solder Terminal	4787
--	------

IEC Appliance Outlet F, Snap-in Mounting, Front Side, Solder or Quick-connect Terminal	4788
--	------

IEC Appliance Outlet F or H, Screw-on Mounting, Front Side, Solder, PCB or Quick-connect Terminal	5091
---	------

IEC Appliance Outlet F or H, Screw-on Mounting, Front Side, Solder or Quick-connect Terminal	5092
--	------

[Appliance Outlet further types to 0711](#)

[Connector Overview complete](#)



IEC Connector C15, Rewireable, Straight	0101
---	------

IEC Connector C15A, Rewireable, Straight	0102
--	------

IEC Connector C15A, Rewireable, Straight	0102-G
--	--------

IEC Connector C15A, Rewireable, Angled	0112
--	------

IEC Connector C13, Rewireable, Angled	4012
---------------------------------------	------

[Connector further types to 0711](#)

...

[Power Cord Overview complete](#)



Power Cord with IEC Connector C13, Angled	0311
---	------

Power Cord with IEC Connector C13, Angled	3011
---	------

Power Cord with IEC Connector C13, Angled	3012
---	------

Power Cord with IEC Connector C13, Angled	3013
---	------

Power Cord with IEC Connector C13	3020
-----------------------------------	------

[Power Cord further types to 0711](#)

...

[Power Supply or Interconnection Cord Overview complete](#)

Divers Power Supply and Interconnection Cords 10 A	Kabelverbindung/10 A
--	----------------------

[Power Supply or Interconnection Cord further types to 0711](#)