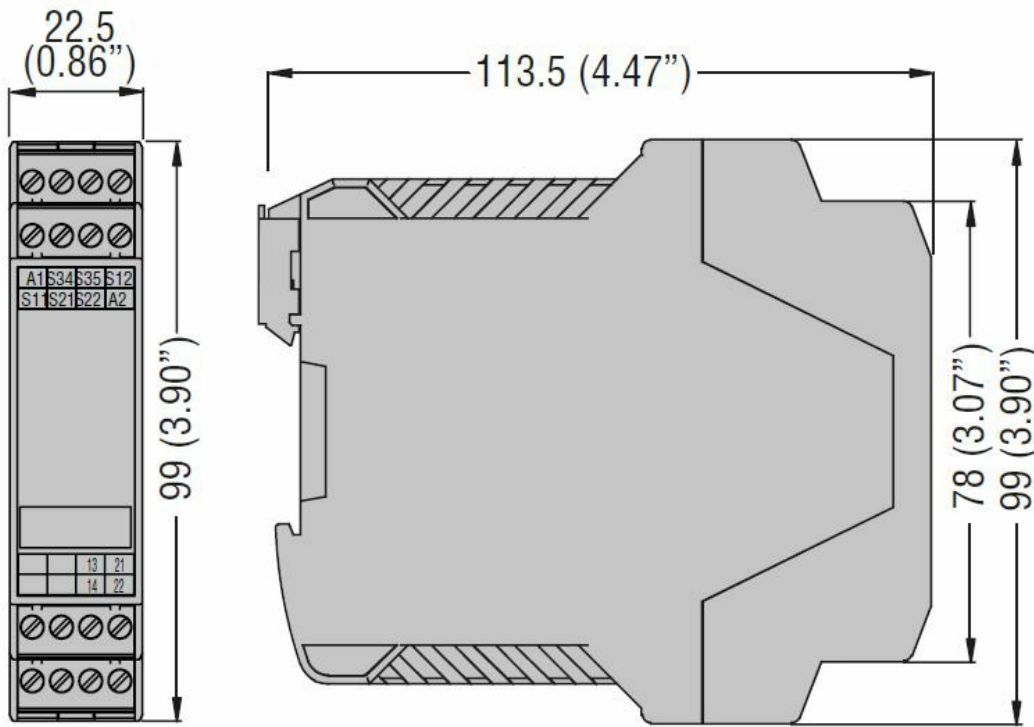




<b>General characteristics</b>		
<b>General characteristics</b>		
Functions		Emergency stop
<b>Contact characteristics</b>		
Type of contact		3NO+1NC
<b>Operations</b>		
Mechanical life	cycles	10000000
<b>Auxiliary supply</b>		
Nominal auxiliary voltage supply		24VAC/DC
Operating range	V	20.4...26.4VAC/DC
Frequency range	Hz	50/60
Overvoltage category		III
Insulation voltage	kV	4
Protections		Short circuit with PTC
<b>Input characteristics</b>		
Number of inputs	Nr.	2
Resistance input circuit	k $\Omega$	Max 1
Input current	mA	Typical 5
<b>Output characteristics</b>		
Number of safe outputs NO	Nr.	3
Number of safe outputs NC	Nr.	1
Number of feedback outputs	Nr.	0
Output type		Voltage free contacts, relays with forcibly guided contacts
Output contacts ratings		AC1 250V: 5A-1500VA AC15 250V: 5A DC1 24V: 5A DC13 24V: 5A
UL 508 ratings		Pilot duty: B300-R300
Mechanical life	cycles	10000000
Electrical life AC1 at 360 commutations/h	cycles	10 <sup>5</sup>
<b>Safety parameters</b>		
ISO 13849-1 security category		Cat. 4
ISO 13849-1 performance level		PLe
<b>Mechanical features</b>		
Cable connection		Screw terminals
Fixing		35mm DIN rail
Weight	g	164
<b>Ambient conditions</b>		
Protection degree		IP40 on front IP20 on terminals

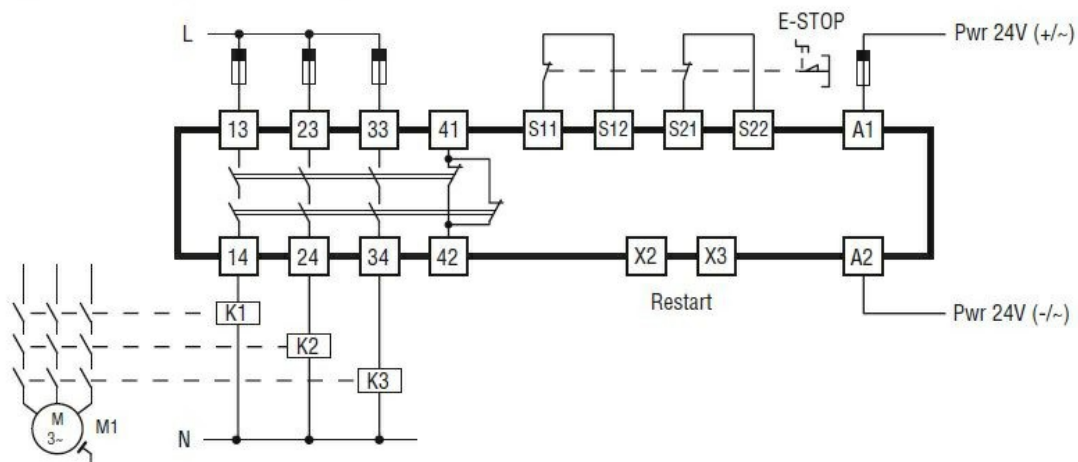
Pollution degree	2		
Temperature	Operating temperature		
	min	°C	-20
	max	°C	+55
	Storage temperature		
	min	°C	-20
	max	°C	+85
Relative humidity		%	≤93

**Dimensions**



**Wiring diagrams**

Double channel mode, manual start



**Certifications and compliance**

**Compliance**

SAFETY RELAY SRC SERIES, SINGLE FUNCTION, SCREW TERMINALS. 3NO+1NC, FOR EMERGENCY STOP, AUXILIARY SUPPLY 24VAC/DC, UP TO CAT. 4, PLE (EN/ISO 13849-1)

Cat. 4

PLe secondo EN/BS/ISO 13849-1

SIL3 secondo EN 61508

Certificates

cULus

TÜV

ETIM classification

ETIM 8.0

EC001449 -  
Device for  
monitoring of  
safety-related  
circuits