

Professional Microphone Accessories

AT8646AM, AT8646QM, AT8647QM/S SHOCK-MOUNT PLATES



AT8646AM, AT8646QM, AT8647QM/S

Description

These Audio-Technica shock-mount plates effectively isolate mounted microphones from impact vibration and mechanical noise normally transmitted from the surface. They are intended for use with microphones mounted on lecterns, pulpits, conference tables and similar surfaces. Designed especially for UniPoint® gooseneck microphones, they may be used with other lightweight microphones as well.

All three models incorporate a sturdy yet flexible suspension panel which provides the mechanical isolation. The AT8646AM has a 5/8"-27 threaded adapter-mount, while the AT8646QM is fitted with an XLR connector for lightweight plug-in mics with XLRM outputs. The AT8647QM/S accepts plug-in mics and features a phantom-powered mute switch with a lighted "on" indicator.

Installation

AT8646AM/QM

Following the dimensions in Figure 1 on the back of this sheet, drill a 2" clearance hole and four small pilot holes for screws in the

mounting surface. A smooth, horizontal (not tilted) surface is preferred for best performance.

AT8646AM mounting/connections: Attach the shock-mount plate to the mounting surface with the included screws, or with #6 hardware. If possible, route the integral mic cable down through the mic's 5/8"-27 threaded collar. Secure the cable to the bottom of the mounting surface *near* the shock mount, using a cable clamp or similar method. *Leave a small "loop" of cable hanging freely below the shock mount.* If the cable is pulled snug, it will "bypass" the suspension and reduce its effectiveness.

AT8646QM mounting/connections:

Connect a flexible two-wire shielded cable, such as AT8300, to the screw-terminals on the bottom of the AT8646QM, after bringing the cable-end up through the 2" mounting hole. *Note that the terminal order is 1-3-2.* The terminal numbers are on the circuit board and on the terminal strip. Connect the shield to Terminal 1, balanced signal/phantom power

to Terminals 2 and 3. Connect the "positive" signal lead to Terminal 2, in accordance with industry convention. Make certain that the screw-terminals are on the bare wire strands, not the insulation, and that there are no bare wires or loose strands that could touch each other.

Once the wiring is complete, carefully position the shock mount on the mounting surface and attach it with the included screws, or with #6 hardware. Secure the mic cable to the bottom of the mounting surface *near* the shock mount, using a cable clamp or similar device. *Leave a small "loop" of cable hanging freely below the shock mount.* If the cable is pulled snug, it will "bypass" the suspension and reduce its effectiveness. Securing the cable also helps protect the screw-terminal connections.

AT8647QM/S

Following the dimensions in Figure 2, drill a 2" clearance hole and four small pilot holes for screws in the mounting surface. A smooth, horizontal (not tilted) surface is preferred for best performance.

Mounting/connections: The AT8647QM/S installs in exactly the same manner as the AT8646QM. Refer to the "AT8646QM mounting/connections" section above.

Mute switch: The AT8647QM/S features a press-on/press-off switch that controls the microphone, muting it by 50 dB at 1,000 Hz. The circuitry also operates a light in the switch, powered by the 24-48V phantom source, to indicate when the mic is "on." Regardless of the switch position, the actual mic operating voltage will be approximately 10-12V less than the phantom source voltage.

Mechanical Specifications

	AT8646AM	AT8646QM	AT8647QM/S
Mic attachment	5/8"-27 threads	XLRM-type	XLRM-type
Dimensions			
Width	3.07" (78.0 mm)	3.07" (78.0 mm)	3.17" (80.5 mm)
Depth	3.07" (78.0 mm)	3.07" (78.0 mm)	4.10" (104 mm)
Height	0.33" (8.4 mm)	0.33" (8.4 mm)	0.61" (15.5 mm)
Weight	2.0 oz (58 grams)	2.3 oz (64 grams)	3.5 oz (99 grams)

AT8647QM/S Electrical Specifications

Phantom power	24-48V DC, 3 mA typical
Output impedance	360 ohms
Insertion loss*	1 dB
Mute attenuation*	50 dB at 1000 Hz 35 dB at 100 Hz 30 dB at 50 Hz

*150 ohm source, 100k ohm load

One-Year Limited Warranty

Audio-Technica microphones and accessories purchased in the U.S.A. are warranted for one year from date of purchase by Audio-Technica U.S., Inc. (A.T.U.S.) to be free of defects in materials and workmanship. In event of such defect, product will be repaired promptly without charge or, at our option, replaced with a new product of equal or superior value if delivered to A.T.U.S. or an Authorized Service Center, prepaid, together with the sales slip or other proof of purchase date. **Prior approval from A.T.U.S. is required for return.** This warranty excludes defects due to normal wear, abuse, shipping damage, or failure to use product in accordance with instructions. This warranty is void in the event of unauthorized repair or modification.

For return approval and shipping information, contact the Service Department, Audio-Technica U.S., Inc., 1221 Commerce Drive, Stow, Ohio 44224.

Except to the extent precluded by applicable state law, **A.T.U.S. will have no liability for any consequential, incidental, or special damages; any warranty of merchantability or fitness for particular purpose expires when this warranty expires.**

This warranty gives you specific legal rights, and you may have other rights which vary from state to state.

Outside the U.S.A., please contact your local dealer for warranty details.



audio-technica®

Audio-Technica U.S., Inc., 1221 Commerce Drive, Stow, Ohio 44224

Audio-Technica Limited, Old Lane, Leeds LS11 8AG England

Form No. 0315-7056-00-B/W © 1997 Audio-Technica U.S., Inc. Printed in U.S.A.

MOUNTING TEMPLATES

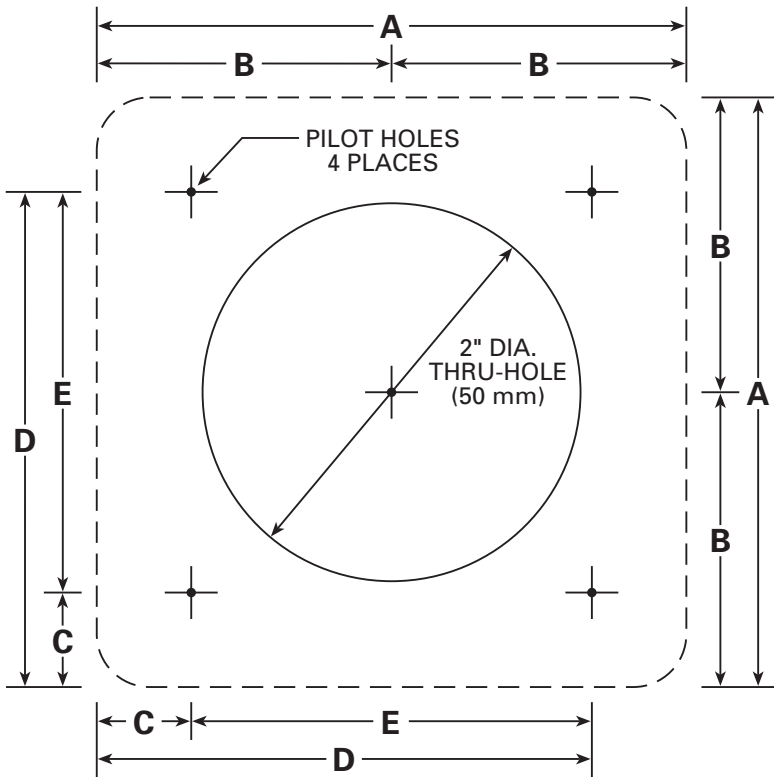


Figure 1: AT8646AM & AT8646QM

Dimension	.00"	$\frac{x}{x}$ "	mm
A	3.07"	$3\frac{5}{64}$ "	78.0 mm
B	1.54"	$1\frac{17}{32}$ "	39.0 mm
C	0.49"	$\frac{31}{64}$ "	12.5 mm
D	2.58"	$2\frac{37}{64}$ "	65.5 mm
E	2.09"	$2\frac{3}{32}$ "	53.0 mm

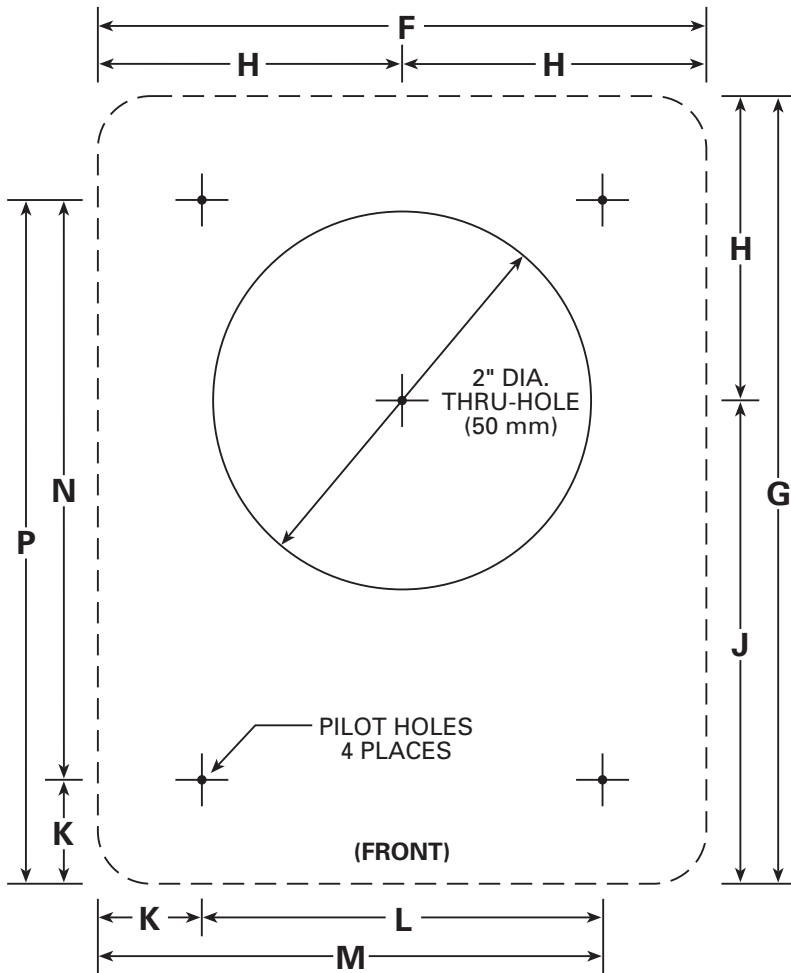


Figure 2: AT8647QM/S

Dimension	.00"	$\frac{x}{x}$ "	mm
F	3.17"	$3\frac{11}{64}$ "	80.5 mm
G	4.10"	$4\frac{3}{32}$ "	104.2 mm
H	1.58"	$1\frac{37}{64}$ "	40.3 mm
J	2.52"	$2\frac{33}{64}$ "	63.9 mm
K	0.54"	$\frac{35}{64}$ "	13.8 mm
L	2.09"	$2\frac{3}{32}$ "	53.0 mm
M	2.63"	$2\frac{5}{8}$ "	66.8 mm
N	3.02"	$3\frac{1}{64}$ "	76.7 mm
P	3.56"	$3\frac{9}{16}$ "	90.5 mm