



Datasheet

RS PRO Male XLR to Male RCA Adapter, Metal

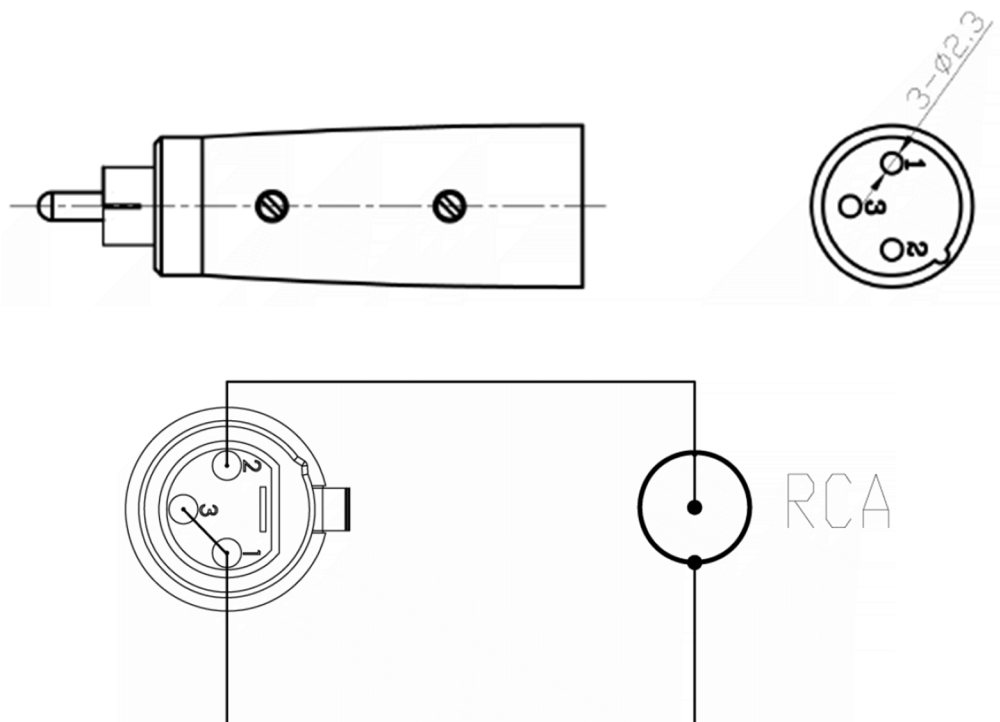
Stock number: 192-4472

EN

The RS PRO male XLR to male RCA adapter is a metal adapter which has a single three pin male XLR connector on one side and a single male RCA connector on the other side.

The pins are gold plated which helps with anti-corrosion and ensures a good connection for better audio quality.

XLR cables are generally used for sound, video and lighting equipment. An adapter such as this could be used to convert an XLR audio device to connect to an RCA port on other audio equipment.



RoHS / REACH / CE