

**Power optimized Arm® multi-core line of products running up to 400 MHz with up to 6.5 MB SRAM and 512 KB RRAM. Capable of a 480 times uplift in ML performance over existing Cortex®-M based systems. Integrated accelerators for machine learning security, and graphics.**

## Features

### • Compute

- 400 MHz Arm® Cortex®-M55 with Helium DSP, FPU, 32 KB I/D caches and 512 KB of 0-wait state SRAM tightly coupled memory
- Power optimized 200 MHz Arm® Cortex®-M33 and proprietary>NNLITE NPU
- 400 MHz Arm® Ethos-U55 NPU with 128 MACs per cycle

### • Memory

- Up to 5 MB system SRAM to support machine learning and graphics
- 1 MB of SRAM coupled with the low power Arm® Cortex®-M33 CPU
- 512 KB of ultra low power RRAM for non-volatile storage
- 256 KB instruction, 256 KB data tightly coupled memory for Arm® Cortex®-M55
- 64 KB boot ROM

### • Security

- Lockstep secure enclave with option to be compliant to Arm® PSA L4/Infineon Edge Protect Category 4 (EPC4) providing tamper protection, Arm® Trusted Firmware-M (TF-M) and mbedTLS libraries for cyber security regulation conformance
- Cryptographic accelerators and essential security capability including protected Root-of-Trust (RoT), secure boot, secure firmware updates
- PSA L4 iSE certified hardware secure enclave (certification pending)
- PSA L3 certified system security (certification pending)

### • Human Machine Interface

- 2.5D GPU, display controller and MIPI-DSI interface for reducing latency and memory required to support rich graphics
- 2x TDM/I2S to interface to audio codec
- PDM/PCM for up to 6 DMIC connections and acoustic activity detect (AAD)

### • Communication

- 11x serial communications block (SCB) with flexibility to support I<sup>2</sup>C, UART and SPI. 1x SCB, deep sleep capable supporting only I<sup>2</sup>C and SPI
- High speed/full speed USB with PHY
- I3C
- 2x serial memory interface to support external quad/octal SPI and HYPERBUS™ interface
- 2x SD host controller to support SD, SDIO and eMMC
- Optional CAN-FD and 10/100 ethernet support

### • Analog

- Analog front end integration with 12-bit ADC, 2x DAC, OPAMP, PGA and comparators
- Autonomous operation support for I/O, analog and audio peripherals

### • System

- Multiple power modes with integrated DC-DC buck converter; dynamic voltage and frequency management
- Internal and external support for clock sources with multiple integrated PLLs
- Programmable GPIO pins: drive modes, strengths, and slew rates; over-voltage tolerant (OVT) I/O programmable logic array



Green



Halogen-free



Lead-free

---

## Potential applications

- Power supply range: 1.8 V to 4.8 V
- Ambient temperature range: -20°C to 70°C Ta

### • Enablement

- ModusToolbox™ software ecosystem providing embedded development tools and run-time assets, including support for multiple IDE/toolchains, extensive example projects, and middleware resources
- DEEPCRAFT™ Studio enabling the full journey from ML model development to embedded software
- Multiple hardware development boards with integrated wireless connectivity for rapid prototyping and evaluation

## Potential applications

- Smart wearable
- Smart lock

Description

Description

This product line is a dual-CPU microcontroller with a neural net companion processor, DSP capability, high-performance memory expansion capability, low-power analog subsystem with high-performance analog-to-digital conversion and low-power comparators, IoT connectivity, communication channels, and programmable analog and digital blocks. It also has audio and graphics blocks.

COMPUTE		HUMAN MACHINE INTERFACE		SECURE ENCLAVE	
<b>High Performance (HP) Domain</b>		Acoustic Activity Detect	Wake Word Detection	Secure Boot	Side Channel Resistance
Arm® Cortex®-M55 up to 400 MHz	Helium DSP	6x PDM	2x TDM/I2S	TRNG	Crypto Accelerator
NVIC	FPU	2.5D GPU	DC	Tamper Protection	Secure JTAG
32 KB I-Cache	32 KB D-Cache	MIPI DSI/DBI		OTP	Secure Key Storage
256 KB I-TCM	256 KB D-TCM				
	WIC				
<b>Low Power (LP) Domain</b>		<b>SYSTEM CONTROL</b>		<b>ANALOG</b>	
Arm® Cortex®-M33 up to 200 MHz	DSP	32x TCPWM	3x DPLL	ADC 12-20 bit 5 Msps/200 ksps**	4x Opamp/PGA/TIA/Buffer/Comp
NVIC	FPU	2x Smart I/O	Clock Control	2x 12-bit DAC	2x 4-bit Prog. Reference
16 KB I-Cache	2x 16-ch DMA	LDO/Buck	2x MCWDT	2x PTCOMP	2x LPCOMP
	WIC	BOD	Watchdog Timer		
<b>MEMORY</b>		POR	RTC	<b>COMMUNICATION</b>	
Up to 5 MB System SRAM	2x Serial Memory I/F (Octal SPI/HYPERBUS™)	Up to 132 GPIOs, 6 SMIF, 7 DSI and 2 USB I/Os	16x 32-bit Backup Registers	USB HS/FS	1x I3C
1 MB SRAM (LP Domain)	2x SD Host Controller (SD 6.0/SDIO 4.10/eMMC 5.1)			10/100 Ethernet	2x CAN-FD
512 KB RRAM	64 KB Boot ROM			1x SCB (I2C, SPI)	11x SCB (UART, I2C, SPI)
<b>System Power Modes</b>					
HP/LP/ULP	Deep Sleep	Hibernate			

\*\* 5 Msps in HP/LP/ULP, 200 ksps in Deep Sleep

## Table of contents

	<b>Features</b> .....	1
	<b>Potential applications</b> .....	2
	<b>Description</b> .....	3
	<b>Table of contents</b> .....	4
<b>1</b>	<b>Introduction</b> .....	7
<b>2</b>	<b>Detailed features</b> .....	9
<b>3</b>	<b>Development ecosystem</b> .....	11
3.1	PSOC™ Edge MCU resources .....	11
3.2	ModusToolbox™ software .....	11
<b>4</b>	<b>Chip-level functional description</b> .....	13
4.1	Power .....	13
4.1.1	Power connections .....	13
4.1.2	Power distribution and domains .....	19
4.1.3	Power modes .....	21
4.1.4	Power mode transitions .....	22
4.1.5	Power block support .....	22
4.2	Security .....	24
4.2.1	Security features .....	24
4.2.2	Security architecture overview .....	25
<b>5</b>	<b>Block functional description</b> .....	26
5.1	Processors .....	26
5.2	Inter-Processor Communication (IPC) .....	26
5.3	DMA .....	27
5.4	Cryptographic accelerator (CRYPTO) .....	27
5.5	Memory .....	27
5.5.1	Nonvolatile memory .....	27
5.5.2	EEPROM .....	28
5.5.3	SRAM .....	28
5.5.4	Serial Memory Interface (SMIF) .....	28
5.5.5	Wait states and latencies .....	28
5.6	Protection units .....	30
5.7	Clocks .....	30
5.7.1	Internal high-speed oscillator (IHO) .....	31
5.7.2	Precision internal low-speed oscillator (PILO) .....	31
5.7.3	Watchdog timer (WDT) .....	31
5.7.4	External crystal oscillators (ECO) .....	31
5.7.5	Real time clock .....	32

Table of contents

5.8	Reset .....	33
5.9	Autonomous Analog .....	33
5.9.1	SAR ADC .....	34
5.9.2	DAC .....	35
5.9.3	Continuous time block (CTB) .....	35
5.9.4	PTComp .....	35
5.10	Low-power comparator .....	36
5.11	Fixed function digital .....	36
5.11.1	Timer/counter/PWM (TCPWM) .....	36
5.11.2	Serial communication block (SCB) .....	36
5.11.3	CAN FD .....	36
5.11.4	Ethernet media access control (MAC) .....	37
5.11.5	I3C .....	37
5.11.6	SD host controller .....	37
5.11.7	USB .....	38
5.12	GPIO ports .....	38
5.13	Smart I/O (programmable I/O) .....	40
5.14	Neural net processing for machine learning .....	41
5.14.1	Arm® Ethos-U55 .....	41
5.14.2	NNLite .....	41
5.15	Audio functions .....	42
5.15.1	PDM/PCM block .....	42
5.15.2	TDM/I2S block .....	42
5.15.3	Autonomous analog block with analog mic .....	43
5.16	Graphics functions .....	43
5.17	Boot source and alternate serial interfaces configuration .....	43
<b>6</b>	<b>Pins</b> .....	<b>45</b>
<b>7</b>	<b>GPIO alternate functions</b> .....	<b>52</b>
<b>8</b>	<b>Electrical specifications</b> .....	<b>70</b>
8.1	Absolute maximum ratings .....	70
8.2	Device-level specifications .....	70
8.2.1	Power supplies and operating conditions .....	70
8.3	XRES .....	87
8.4	GPIO .....	88
8.5	Analog peripherals .....	91
8.5.1	Autonomous analog specifications .....	91
8.5.2	LP Comparator .....	92
8.5.3	ADC .....	93
8.5.4	DAC .....	96
8.5.5	CTBL Op Amp .....	98
8.5.6	PT Comp .....	113

Table of contents

8.5.7	PRB .....	114
8.6	Digital peripherals .....	115
8.6.1	Timer Counter Pulse Width Modulator TCPWM .....	115
8.6.2	Serial Communication Block SCB .....	116
8.7	System Resources .....	117
8.7.1	System Resource .....	117
8.7.2	Single Wire Debug SWD and Trace Interface .....	118
8.7.3	Internal Oscillators Crystal Oscillators External Clock and PLLs .....	118
8.8	PLLs .....	121
8.9	Serial Memory Interface SMIF Controller .....	121
8.10	SDHC and eMMC .....	123
8.11	Audio Sub system .....	126
8.12	Ethernet MAC .....	128
8.13	CAN FD .....	128
8.14	JTAG and Boundary Scan .....	128
8.15	USB HS .....	128
8.16	MIPI DSI PHY .....	129
8.17	MIPI DBI .....	129
8.18	I3C .....	129
8.19	NNlite .....	129
8.20	SmartIO .....	130
8.21	GPU .....	130
<b>9</b>	<b>Ordering information</b> .....	<b>131</b>
9.1	Part number nomenclature .....	132
<b>10</b>	<b>Package information</b> .....	<b>134</b>
<b>11</b>	<b>Errata</b> .....	<b>138</b>
<b>12</b>	<b>Acronyms</b> .....	<b>140</b>
<b>13</b>	<b>Document conventions</b> .....	<b>145</b>
13.1	Units of measure .....	145
	<b>Revision history</b> .....	<b>146</b>
	<b>Trademarks</b> .....	<b>147</b>
	<b>Disclaimer</b> .....	<b>148</b>

### 1 Introduction

This product line is a high-performance, low-power MCU family, designed for compute performance, human-machine interface (HMI), machine learning (ML), enhanced sensing, real-time control, and low-power applications. Robust and easy-to-use ML and HMI software and tools are also provided.

Functions supported include security, communications and control, and DSP, in a multi-domain architecture which enables fine-grained power optimization and dynamic frequency scaling. The always-on domain supports voice recognition, battery monitoring, and other sensing applications. These functions are provided at extremely low power.

A detailed block diagram is shown in [Figure 1](#).

#### Device identification and revisions

Family ID = 0x115 (12-bit); Si ID range = 0xED80-0xEDBF, 0xF180-0xF1BF; rev ID = "0x21 (B0)"

Firmware Revisions: Rom Boot: 2.0.0.6022, RRAM Boot: 2.0.0.7127

1 Introduction

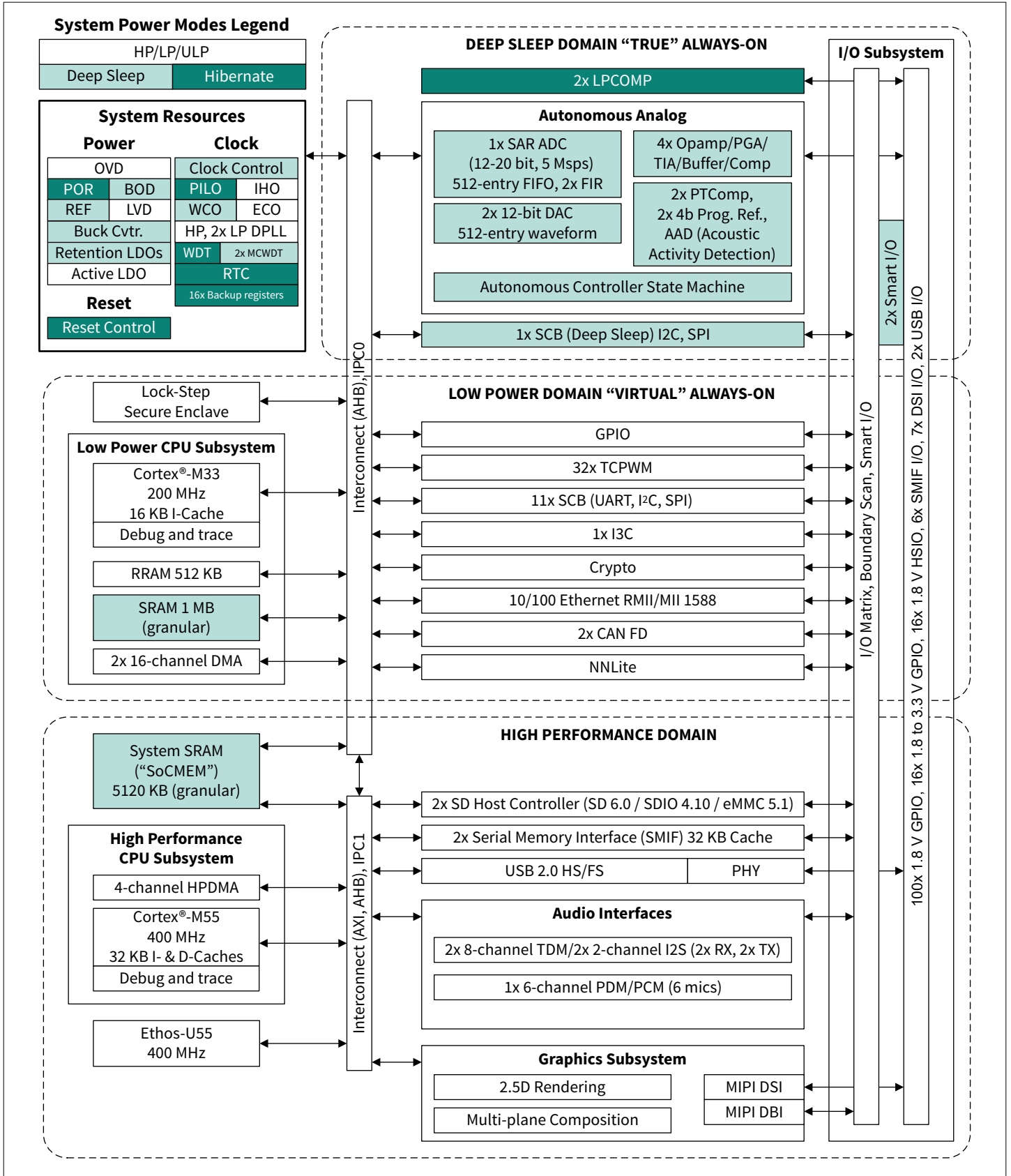


Figure 1 Detailed diagram



## 2 Detailed features

This product line has the following features:

- Autonomous Analog
  - 2x Continuous-Time Blocks (CTB) offering Analog Front-End (AFE) functions such as:
    - Programmable Gain Amplifier (PGA)
    - Transimpedance Amplifier (TIA)
    - Pseudo-Differential Amplifier
    - Comparator
  - SAR ADC with
    - 5 Msps sample rate at 12 bits or 250 ksps at 16 bits in System High Performance mode
    - 200 ksps sample rate at 12 bits or 12.5 ksps at 16 bits in System Deep-Sleep mode
    - Accumulation and averaging – 2x, 4x, 8x ... 256x
    - Limit detection, Offset and gain calibration
  - 2x 12-bit DAC with 1  $\mu$ S refresh time, automatic waveform generation
  - 2x Programmable Threshold Comparators (PTComp) with post-processing supporting Audio Activity Detection (AAD) and Motor Control
  - Autonomous Controller capable of performing following functions in Device DeepSleep Mode
    - Power cycling of individual blocks
    - Send triggers and/or interrupts to the CPU
    - Digital output to as many as four GPIOs
- Security features
  - Up to Infineon Edge Protect Category 4 (EPC 4), depending on part number (see [Ordering information](#)). For more information on Infineon Edge Protect, see [here](#)
  - Lockstep Secure Enclave in low-power always-on domain
    - Secure Infineon RoT key storage; secure boot
    - Tamper detection, side channel attack (SCA) mitigation, and protection against fault injection attacks
    - On EPC 4 part numbers only: Secure Enclave runtime services for Arm® Platform Security Architecture (PSA) compliant cryptography, key management, secure storage and attestation services (see [Ordering information](#))
  - Off-the-shelf Trusted Firmware-M enablement and Mbed-TLS for crypto operations
  - Secure isolation of processing environments via Arm® TrustZone with root-of-trust established at boot by Cortex®-M33 CPU
  - Factory provisioned device unique keypair (DICE\_DeviceID), Hardware Unique Key (HUK), Unique Device Secret (UDS) and Infineon device certificates
  - Infineon proprietary protection units for memory and peripherals
  - Secure firmware update; secure debug, secure RMA mode for field failure analysis
- Low-power security, control, and communication CPU
  - Cortex®-M33 with FPU, DSP, and MPU at 200 MHz in System High Performance (HP) power mode (see [Power modes](#))
  - 16-KB I-cache
  - RRAM module for NVM
  - DMA
  - Hardware crypto accelerator with comprehensive support of cryptographic algorithms
- High-performance compute, DSP, and machine learning (ML) blocks
  - Cortex®-M55 CPU with DSP extension at 400 MHz in System High Performance (HP) power mode (see [Power modes](#))
  - FPU, MVE extension with vectored fixed and floating point

## 2 Detailed features

- 32-KB I-cache and 32-KB D-cache
- 256-KB I- and 256-KB D-TCMs
- Ethos-U55 NN coprocessor with 128 multiply-accumulate operations (MACs) per cycle; 51.2 billion operations per second
- HPDMA
- Multi-AXI high-bandwidth interconnect
- Communications and connectivity
  - HS USB host/device, 480 Mbps
  - SD host controllers with eMMC mode
  - 2x Serial memory interfaces (SMIF with 32 KB cache) with octal DDR
  - Ethernet 10/100 media access control (MAC)
  - CAN FD
  - I3C bus for 2-wire sensor hubs
  - I<sup>2</sup>C, SPI, and UART via serial communication blocks (SCB). SCB0 supports only I<sup>2</sup>C and SPI
- HMI functional blocks
  - 2.5D graphics processor for rendering images and text
  - Display controller with MIPI DSI
  - Audio: PDM microphone interface with 3 pairs of inputs, 2x TDM (Time Division Multiplexing) with 8 channels each interface, supporting I2S full and half-duplex modes
- Optimizable power
  - Independent voltage domains allowing selectable domain power for low-power or high-performance (see [Power modes](#))
  - Active, sleep, deep sleep, and hibernate modes
  - On-chip DC-DC buck converter
  - Dynamic frequency scaling for real-time power optimization
  - Granular SRAM blocks for selectable SRAM retention
- Programmable GPIO pins
  - Programmable drive modes, strengths, and slew rates
  - Over-voltage tolerant (OVT) pins for I<sup>2</sup>C compliance
- RTC with 16 backup registers
- ModusToolbox™ design environment
  - Code development and debugging in a cross-OS (Windows, Linux, Mac OS) IDE-neutral environment supporting Visual Studio Code, IAR, Keil and Eclipse IDEs
  - Installable software development kits (SDK) for peripheral initialization, clock and pin configuration, and middleware selection
  - Peripheral driver library (PDL) for peripheral APIs, including SD host controller for connection to IoT devices; and ML library
  - Industry-standard CMSIS pack support
  - RTOS support, including FreeRTOS
- DEEPCRAFT™ Studio enabling the full journey from ML model development to embedded software

## 3 Development ecosystem

### 3.1 PSOC™ Edge MCU resources

A wealth of data available at [www.infineon.com](http://www.infineon.com) helps you to select the right PSOC™ MCU and quickly and effectively integrate it into your design. The following is an abbreviated list of resources for PSOC™ Edge E8 MCU.

- **Overview:** [PSOC™ portfolio](#)
- **PSOC™ Edge E8x2, E8x3, E8x5, E8x6 Architecture Reference Manual:** This document contains architectural descriptions of hardware blocks
- **PSOC™ Edge E8x2, E8x3, E8x5, E8x6 Registers Reference Manual:** This document contains a list of registers and bit-fields in the hardware blocks
- **Application notes** cover a broad range of topics, from basic to advanced level, and include the following:
  - [AN235935](#): Getting started with PSOC™ Edge E84 on ModusToolbox™ software
  - [AN239191](#): Getting started with graphics on PSOC™ Edge MCU
  - [AN236697](#): Getting started with PSOC™ MCU and AIROC™ connectivity devices
  - [AN237849](#): Getting started with PSOC™ Edge security
  - [AN240096](#): Getting started with Trusted Firmware-M (TF-M) on PSOC™ Edge
  - [AN236282](#): Device Firmware Update (DFU) Middleware (MW) for ModusToolbox™
  - [AN238041](#): PSOC™ Edge provisioning specification
  - [AN236517](#): PCB layout guidelines for PSOC™ Edge E84 MCU
  - [AN237976](#): PSOC™ Edge E84 MCU low-power modes and power reduction techniques
  - [AN239774](#): Selecting and configuring memories for power and performance in PSOC™ Edge MCU
  - [AN237816](#): PSOC™ Edge E84 MCU voice and audio firmware components guide
  - [AN239757](#): Authenticated debug for PSOC™ Edge
  - [AN240857](#): PSOC™ Edge MCU Lifetime Estimate
- **Code Examples:** Numerous example applications featuring various peripherals and system middleware are available on [Infineon GitHub repositories](#)
- **Development kits including documentation, schematics and layout files**
  - General purpose evaluation kit: [KIT\\_PSE84\\_EVAL](#)
  - Artificial Intelligence/Machine Learning kit: [KIT\\_PSE84\\_AI](#)
- **Training**
  - [PSOC™ Edge lab-based training modules](#)
  - [Video training](#) on Infineon products and tools
- **Technical Support:** [PSOC™ development community forum](#), [Knowledge base articles](#), [My cases](#)

### 3.2 ModusToolbox™ software

ModusToolbox™ Software is Infineon's comprehensive collection of multi-platform tools and software libraries that enable an immersive development experience for creating converged MCU and wireless systems. It is:

- Comprehensive - it has the resources you need
- Flexible - you can use the resources in your own work flow
- Atomic - you can get just the resources you want

Infineon provides a large collection of code repositories on GitHub. This includes:

- Board support packages (BSPs) aligned with Infineon kits

3 Development ecosystem

- Peripheral driver library (PDL) provides the low-level, device-specific firmware drivers for accessing the hardware sub-systems and peripherals
- Middleware enabling industry-leading features such as CAPSENSE™, Bluetooth® Low Energy, and mesh networks. Additionally, a Hardware abstraction layer (HAL) provides middleware portability across product families
- An extensive set of thoroughly tested code example applications

ModusToolbox™ software is IDE-neutral and easily adaptable to your workflow and preferred development environment. It supports Windows, Linux, MacOS, IAR, Keil, and Visual Studio Code. As Figure 2 shows, it includes (1) a project creator, (2) peripheral and library configurators, (3) a library manager, and (4) an optional Eclipse IDE for ModusToolbox™. For information on using Infineon tools, refer to the documentation delivered with ModusToolbox™ software, and AN235935 – Getting started with PSOC™ Edge E84 on ModusToolbox™ software.

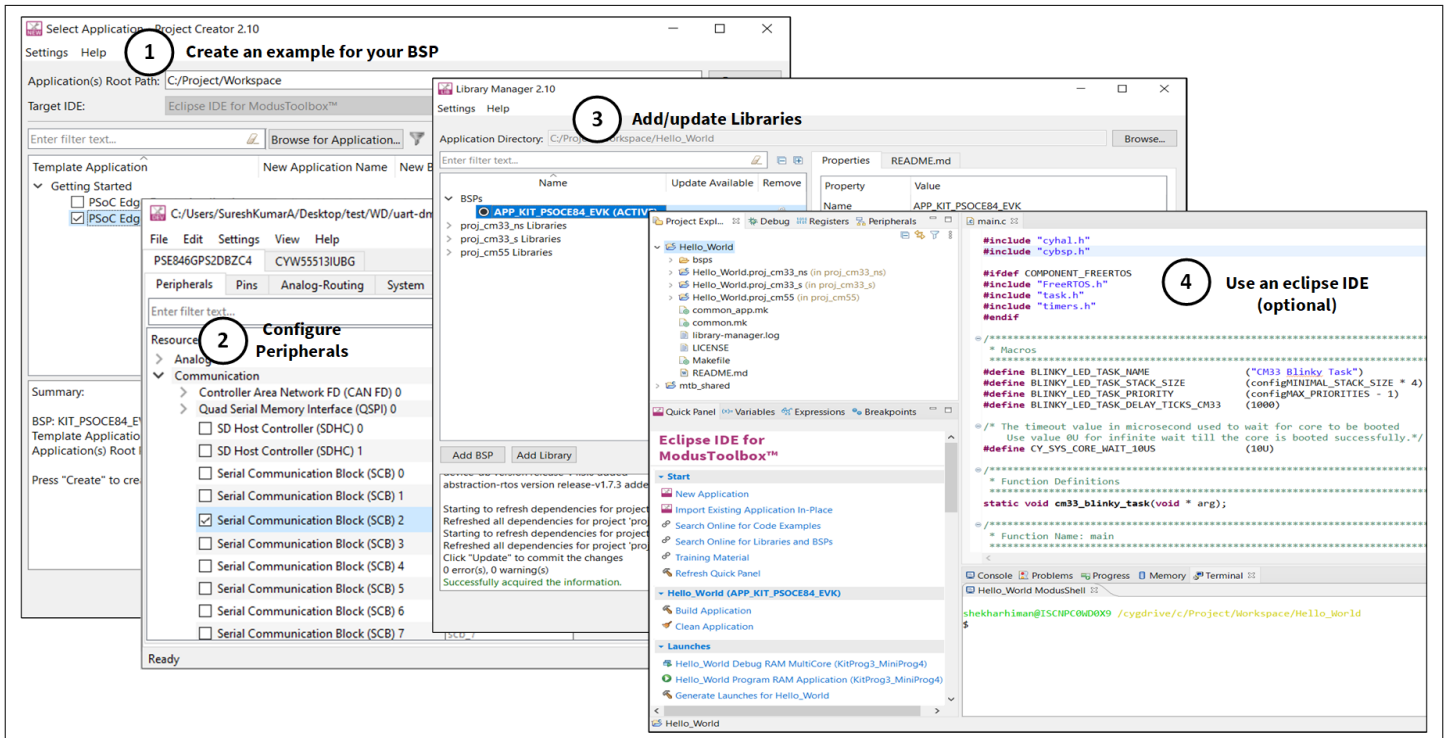


Figure 2 ModusToolbox™ Software Tools

## 4 Chip-level functional description

### 4.1 Power

This product line offers multiple features for managing and reducing power draw. Multiple power modes include active, sleep, deep sleep, and hibernate. Deep sleep has three variations based on retention of SRAM.

The power control block provides assurance that voltage levels meet the requirements of the respective modes. It can:

- Delay mode entry (for example, at power-on reset (POR)) until voltage levels are as required for proper functioning
- Detect operation below safe power supply levels:
  - Generates interrupts for low-voltage detection (LVD)
  - Generates reset for brownout detection (BOD)

This product line operates with a single 1.8 V  $\pm$ 5% regulated supply, or from a 2.7 to 4.8 V supply along with a 1.8 V 5% regulated supply. The core logic can operate at different levels with a trade-off in performance and power. In conjunction with clock gating at peripheral and bus levels, this permits fine-grained optimization of energy usage.

A buck regulator powers the core logic at three levels: 0.7 V, 0.8 V, and 0.9 V; (see [Power modes](#)). The buck efficiency is  $\geq$ 80% in the active power mode. The buck configuration is single in, single out (SISO).

Dynamic voltage and frequency scaling are supported. Voltage level switching is implemented by writing to power control registers.

#### 4.1.1 Power connections

The following power system diagrams show typical connections for power pins for all supported packages. In these diagrams, the package pin is shown with the pin name, for example "VDDQ , A11". For VDDIOx pins, the I/O port that is powered by that pin is also shown, for example "VDDIO1; E6;; I/O port P8".

The diagrams show two ways to power the device:

- **Supply powered:** All VDDx pins are tied to 1.8 V. Isolated sources can be used, for example to isolate analog circuits or to isolate the rest of the system from noisy GPIOs. All "VBAT" related pins are grounded.
- **Battery powered:** VBAT is connected to a supply ranging from 2.7 V to 4.8 V. Other VDDx pins must still be connected to 1.8 V. All "1P8" pins are grounded.

Note that the smaller packages do not have a VBAT pin; these packages can only be supply powered.

In both cases, VDD.USB is tied to 3.3 V if USB is being used. If not, should be tied to ground.

When none of the ports associated with VDDIOx are in use, except for VDDIO7, tie all remaining VDDIOx pins to ground and VDDIO7 to 1.8 V, as it has the power detect circuit for all IOs in the chip.

There is no dependency on power supply sequencing. See [System Resource](#); they apply to both power-up and power-down.

**Note:** *The bypass capacitors shown in the following diagrams are recommendations for typical use only. Actual bypass capacitor usage and size depend on the application.*

4 Chip-level functional description

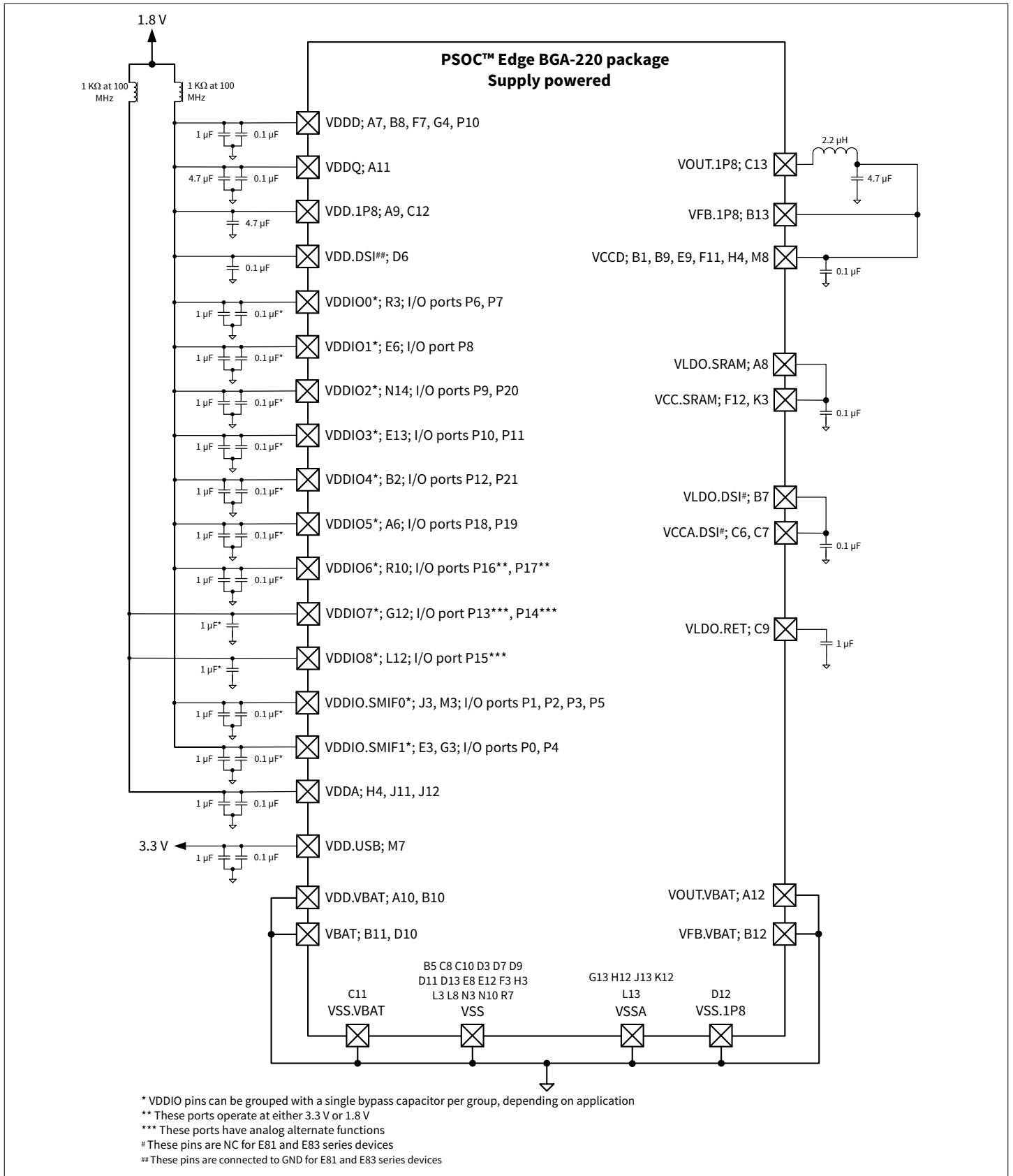


Figure 3 BGA-220 package, supply powered

4 Chip-level functional description

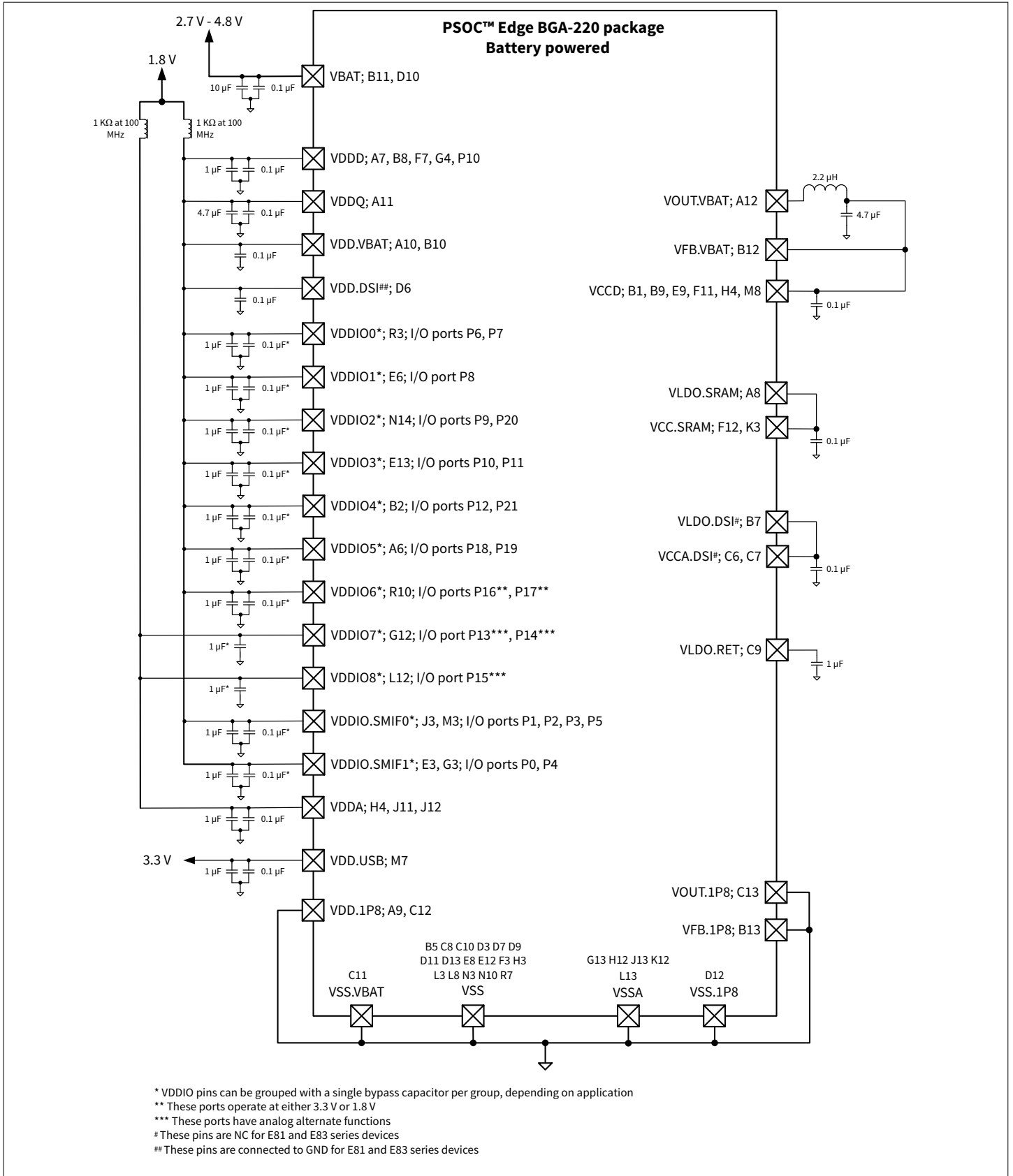


Figure 4 BGA-220 package, battery powered

4 Chip-level functional description

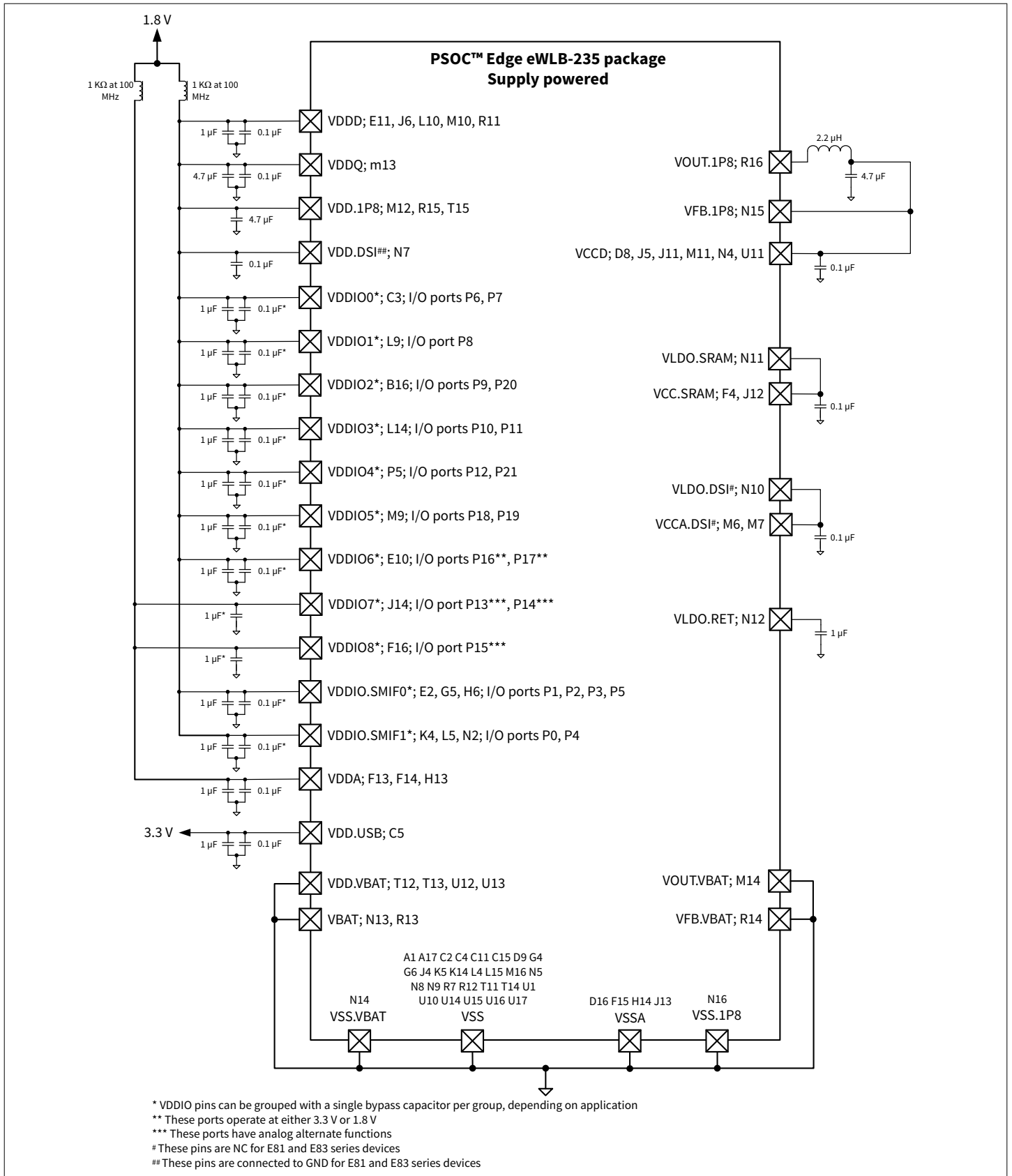


Figure 5 eWLB-235 package, supply powered



4 Chip-level functional description

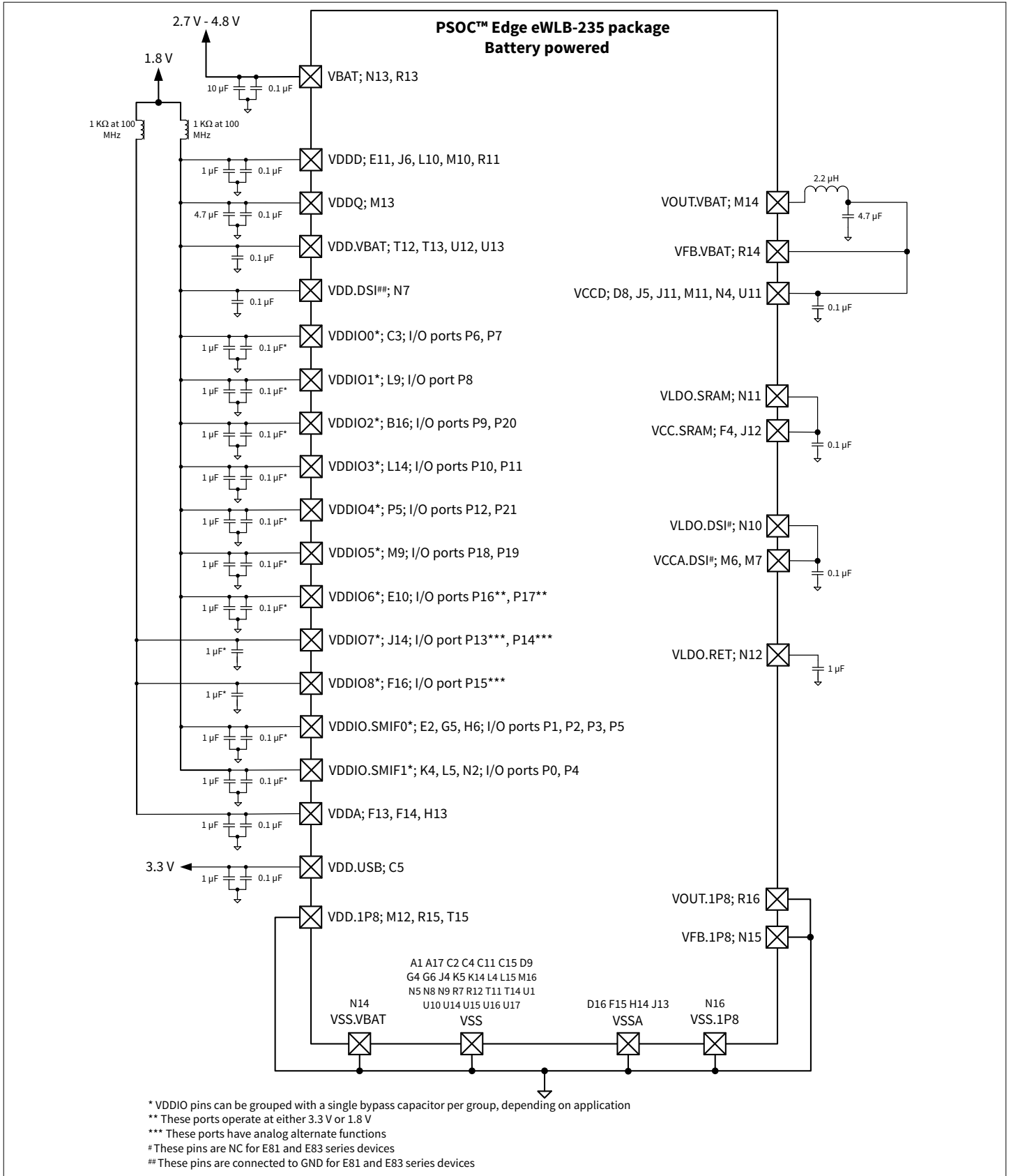


Figure 6 eWLB-235 package, battery powered

4 Chip-level functional description

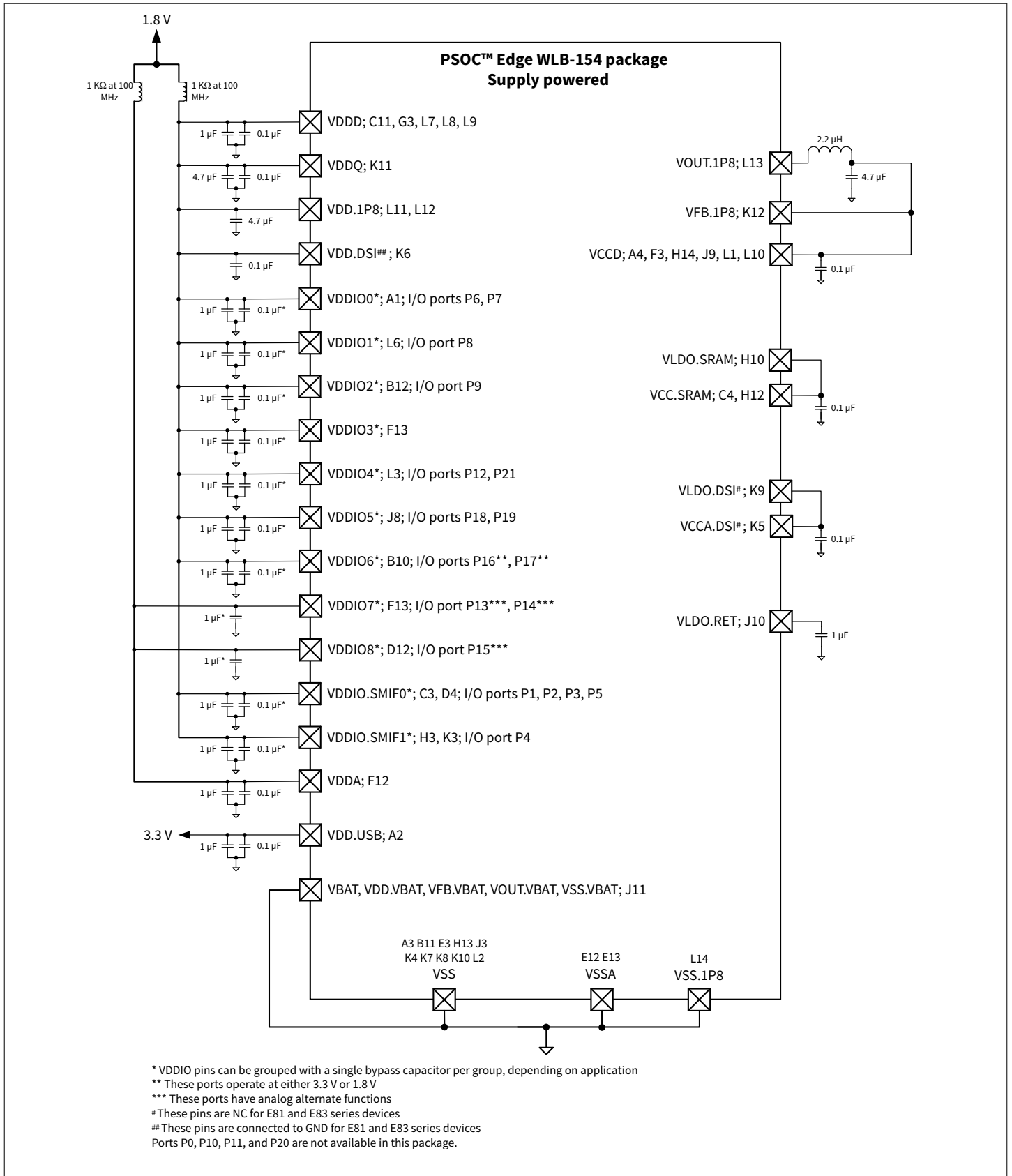
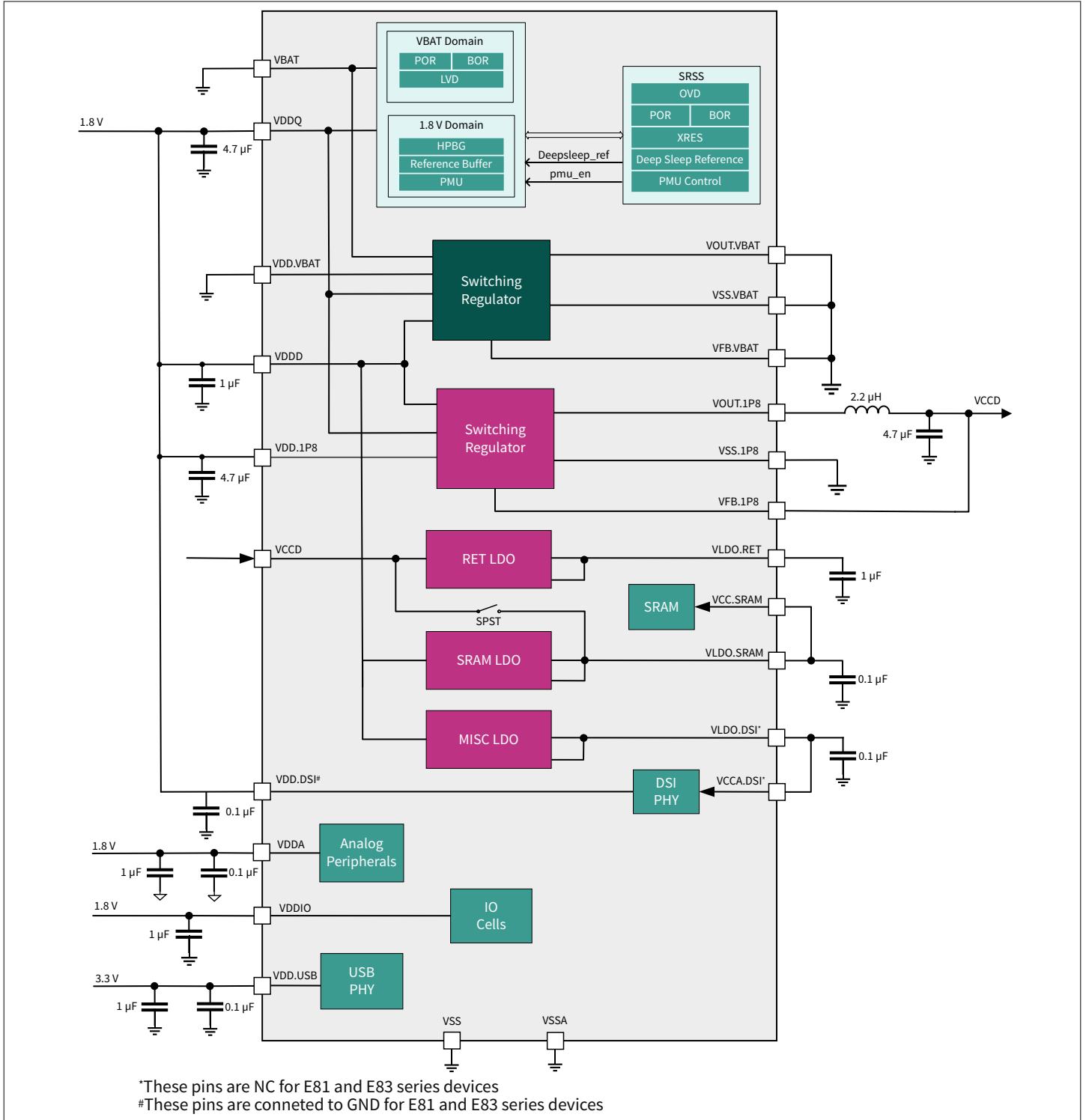


Figure 7 WLB-154 package, supply powered

### 4.1.2 Power distribution and domains

This product line has independent voltage domains, allowing domain power to be for low-power or high-performance (see [Power modes](#)).

Diagrams of power distribution are shown in [Figure 8](#) through [Figure 10](#).



**Figure 8 Power distribution, supply powered**

4 Chip-level functional description

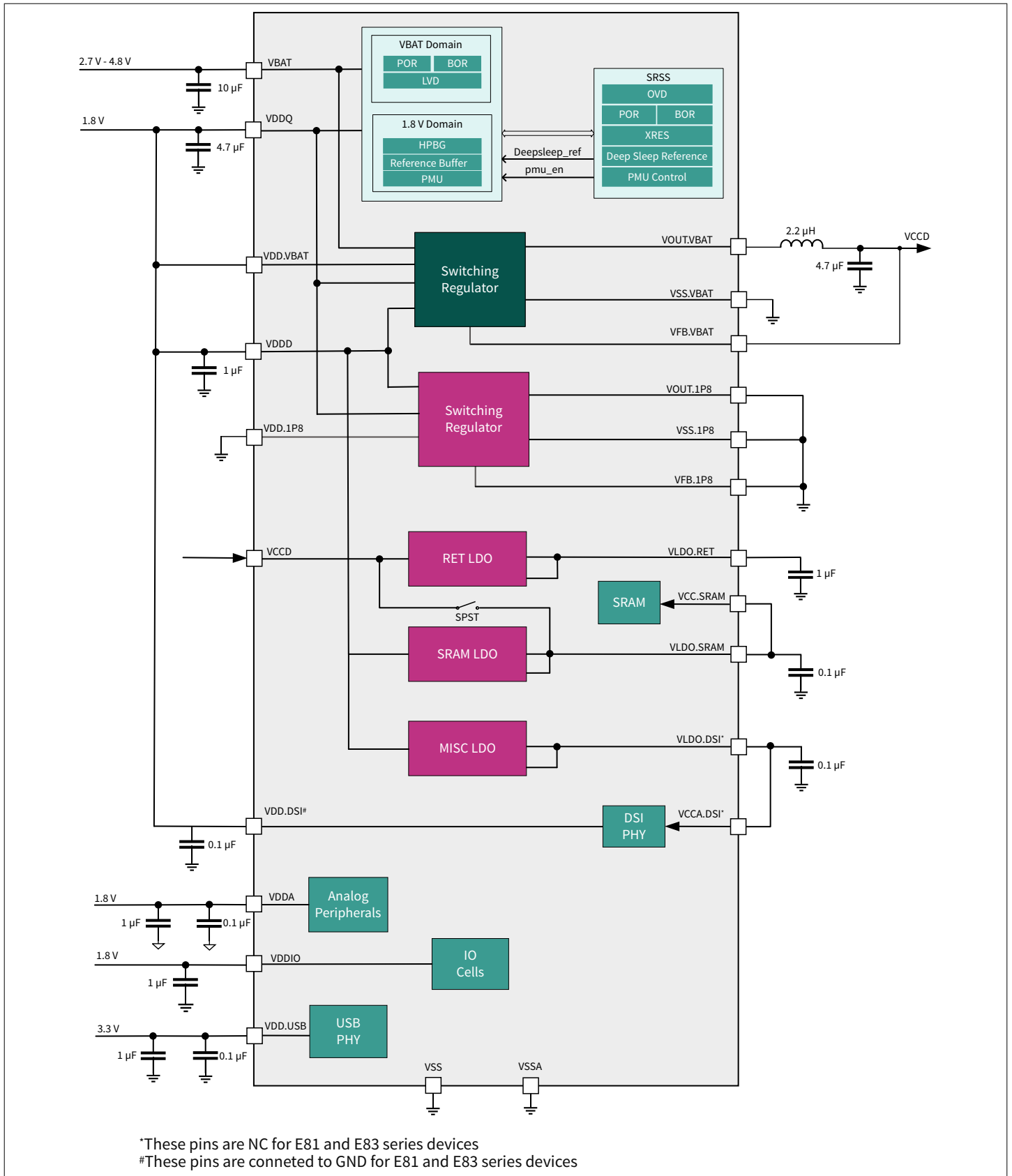
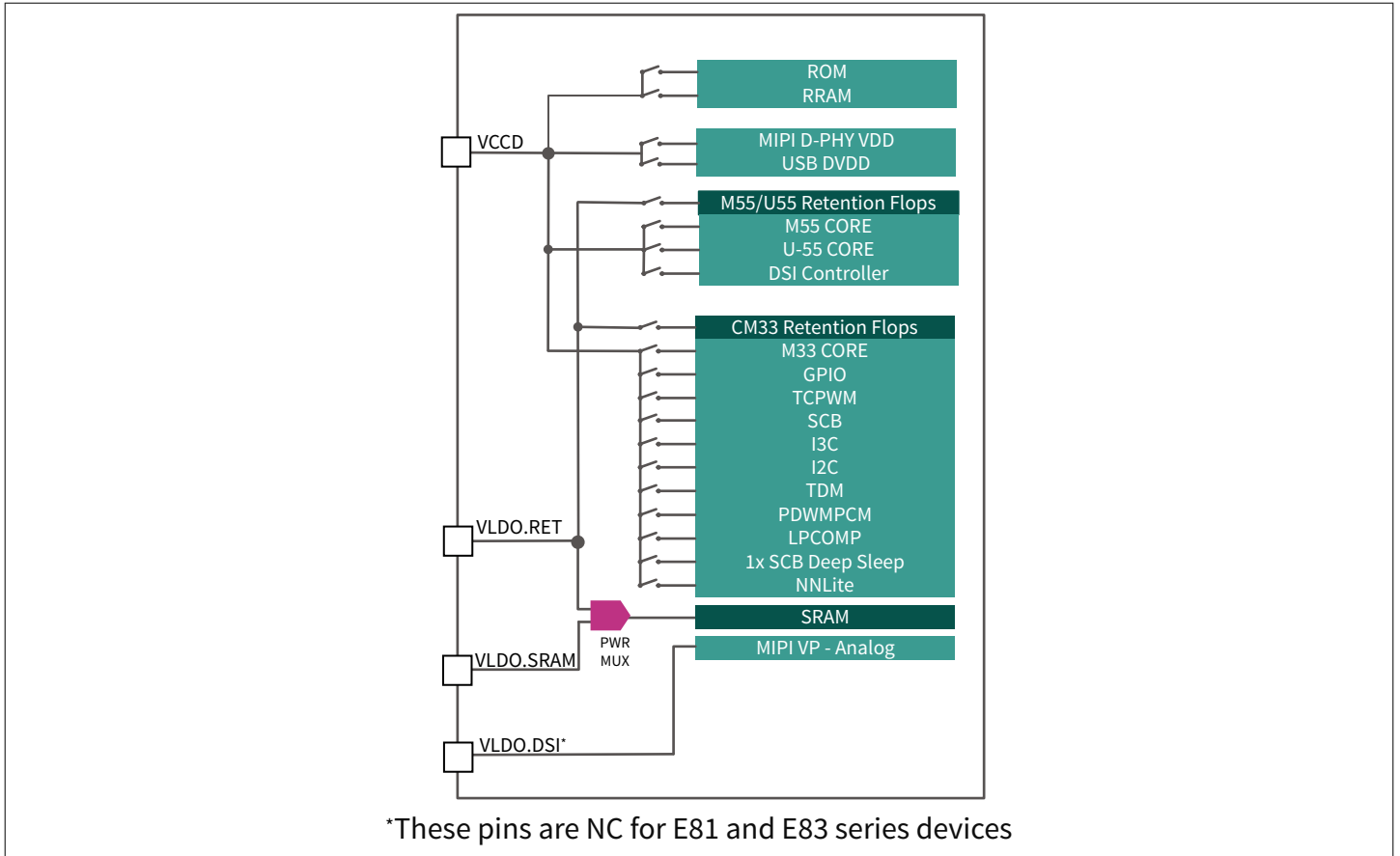


Figure 9 Power distribution, battery powered

4 Chip-level functional description



**Figure 10 Power distribution to internal blocks**

In a typical use case:

- The low-power domain is never switched off unless chip power is cut off, and
- The high-performance domain is used for high-speed communication channels (>100 MHz, display controller outputting frames via MIPI DSI), and DSP and neural network processing, where work is done as fast as possible to reduce real time constraints for applications. Additionally, the high-performance domain can be selectively powered down to save energy and reactivated when needed, while the low-power domain continues to remain active.

The low and high power domains are powered by the same buck converter output — all power domains operate at the same voltage domain.

**4.1.3 Power modes**

This product line can operate in five system and three CPU power modes. These modes are intended to minimize the average power consumption in an application.

Power modes supported are:

- **System High Performance (HP):** All peripherals and CPU power modes are available at maximum speed. Core logic runs at 0.9 V.
- **System Low Power (LP):** All peripherals and CPU power modes are available at reduced speed. Core logic runs at 0.8 V.
- **System Ultra-Low Power (ULP):** All peripherals and CPU power modes are available at minimal speed. Core logic runs at 0.7 V.
- **CPU Active:** CPU executes code in system HP, LP, or ULP mode.
- **CPU Sleep:** CPU code execution is halted — the CPU clock is gated off — in system HP, LP, or ULP mode.

4 Chip-level functional description

- **CPU Deep Sleep:** Same as CPU Sleep; in addition the CPU's System Deep Sleep request signal is activated.
- **System Deep Sleep:** Only Deep Sleep-capable peripherals are available after both CPUs enter CPU Deep Sleep mode. This mode has two sub-modes: System Deep Sleep RAM and System Deep Sleep Off. See [Table 1](#) for details.

The device transitions to System Deep Sleep mode only when either of the following conditions are met:

- Both CPUs are in Deep Sleep mode
- The high-performance domain is powered OFF, and the Cortex®-M33 is in Deep Sleep mode

- **System Hibernate:** This is the lowest current mode. Almost all functionality is powered off in this mode except for the RTC, watchdog timer (WDT), and low-power comparators (LPCOMP), along with the ability to wake up on activity on a limited set of pins and retaining limited application data using backup registers. Wakeup is tantamount to a cold boot. GPIO states are retained in this mode.

CPU Active, Sleep, and Deep Sleep are standard Arm® defined power modes supported by the Arm® CPU instruction set architecture (ISA). System HP, LP, ULP, Deep Sleep and Hibernate modes are additional power modes provided by the device.

### 4.1.4 Power mode transitions

This product line generally supports Arm® standard power modes; see [Power modes](#) for details. [Table 1](#) lists the supported power modes.

**Table 1 Power mode support**

	CPU Active/ Sleep	System Deep Sleep	System Deep Sleep-RAM	System Deep Sleep-Off	System Hibernate	Off
<b>Parameters</b>						
Wake source	Any interrupt	DS peripherals	DS peripherals	DS peripherals	RTC/HIB peripherals	Power on
Wake action	Resume	Resume	Warm boot	Reset/cold boot	Reset	Reset
Wake time	One CPU cycle	< 20 μs	Deep sleep+warm boot	Deep sleep+cold boot	POR+coldboot; < 1 ms	
<b>Resources</b>						
IHO	On	Off	Off	Off	Off	Off
PILO	On/Off	On/Off	On/Off	On/Off	On/Off	Off
ECO	On/Off	On/Off	On/Off	On/Off	Off	Off
WCO	On/Off	On/Off	On/Off	On/Off	On/Off	Off
CPU	On/Sleep	retention	Off	Off	Off	Off
SRAM	On/select off	Off/select retention	Off/select retention	Off	Off	Off

### 4.1.5 Power block support

[Table 2](#) shows the available operational states for the major blocks in this product line. Note that operational states possible in low-power modes are generally limited in functionality and parametric performance as compared to their capabilities in the active modes. Also, blocks that do not support low power modes such as System Deep Sleep and System Hibernate cannot wake up the CPUs from these modes. See [Power modes](#) for details.

4 Chip-level functional description

**Table 2** Block power modes

Block	Power mode			
	CPU Active	CPU Sleep	System Deep Sleep	System Hibernate
<b>CPU subsystem</b>				
CPUs	Y	N	N	N
NPU	Y	Y	N	N
NVIC	Y	Y	N	N
WIC	Y	Y	Y	Y
RRAM	Y	Y	N	N
SRAM	Y	Y	Programmable	N
DMA	Y	Y	N	N
<b>Programmable digital</b>				
Smart I/O	Y	Y	Y	N
<b>Fixed-function digital</b>				
TCPWM	Y	Y	N	N
SCB	Y	Y	N, SCB0 is supported in System Deep Sleep power mode	N
SMIF	Y	Y	N	N
SD host controller	Y	Y	N	N
USB	Y	Y	N	N
CAN FD	Y	Y	N	N
Ethernet	Y	Y	N	N
I3C	Y	Y	N	N
MIPI-DSI	Y	Y	N	N
TDM/I2S	Y	Y	N	N
PDM	Y	Y	N	N
Crypto	Y	Y	N	N
<b>Special function</b>				
Graphics subsystem	Y	Y	N	N
<b>Programmable analog</b>				
LPComp	Y	Y	Y	Y
SAR ADC	Y	Y	Y (duty cycled)	N
DAC	Y	Y	Y	N
PTComp	Y	Y	Y	N
CTB	Y	Y	Y	N

(table continues...)

**Table 2** (continued) **Block power modes**

Block	Power mode			
	CPU Active	CPU Sleep	System Deep Sleep	System Hibernate
<b>IO</b>				
GPIO	Y	Y	Y	Y
<b>System resources</b>				
WDT	Y	Y	Y	Y
MCWDT	Y	Y	Y	N
RTC	Y	Y	Y	Y
Backup registers	Y	Y	Y	Y
OVD	Y	Y	N	N
LVD	Y	Y	N	N

## 4.2 Security

This product line includes a Cortex®-M55 and an Arm® TrustZone enabled Cortex®-M33 CPU. It provides an isolated fully secure hardware-based Root-of-Trust (RoT) that supports secure boot, secure provisioning, and secure debugging. This RoT is initially owned by Infineon and is extended to the user or OEM during the provisioning process. Provisioning installs the OEM keys; debug, boot, and system configuration policies; and extended boot.

Secure and non-secure debug access is supported; in non-secure access, areas marked "secure" are not accessible by the debugger. In the most secure case provided, the device can be “locked” such that it may not be acquired for test/ debug.

Certificate management assures appropriate accesses are provided at different stages of development and production.

This product line is fully compliant with Arm® TrustZone at hardware and software levels. An extra layer of security is implemented with the help of Infineon-proprietary protection units.

For EPC 4 part numbers only (see [Ordering information](#)): secure enclave runtime services provide access to PSA compliant cryptographic services, key management, attestation, and secure storage services.

### 4.2.1 Security features

- Infineon Edge Protect Category 2 (EPC 2) supporting SESIP/PSA level 2 or Edge Protect Category 4 (EPC 4) supporting SESIP/PSA level 3 + secure enclave, depending on part number (see [Ordering information](#))
- Exclusive access to 5120 bytes of OTP memory for storage of security assets (see [Nonvolatile memory](#))
- Hardware crypto accelerator with comprehensive support of cryptographic algorithms
- Secure isolation of processing environments via Arm® TrustZone
- Infineon proprietary MPU, MPC and PPCs for memory and peripheral access control
- Lock-step secure enclave with the following features:
  - Secure boot with hardware-based root of trust (RoT) enabled
  - Device identifier composition engine (DICE) mechanisms for device attestation
  - Cryptography services

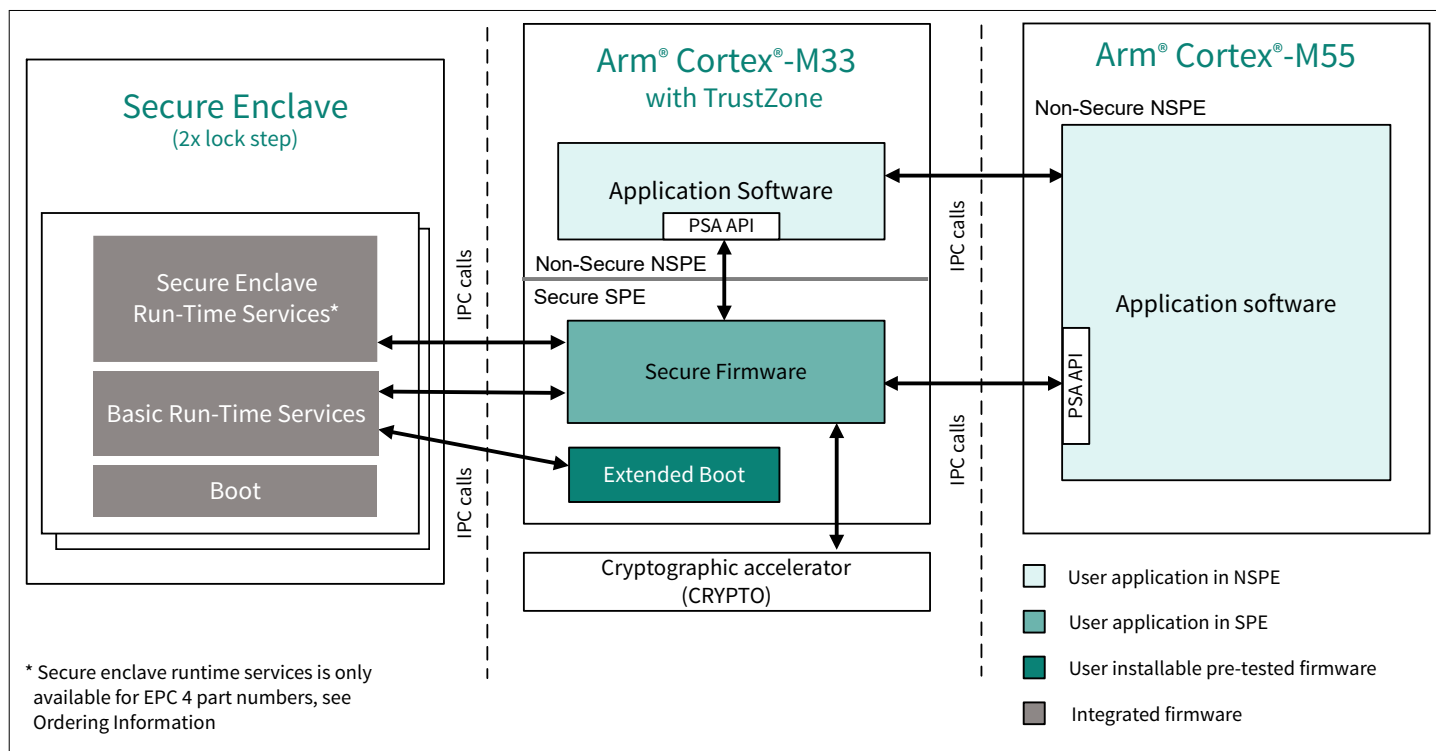


4 Chip-level functional description

- EPC 4 part numbers only (see [Ordering information](#)): secure enclave runtime services
  - Tamper detection, side channel attack (SCA) mitigation, and protection against fault injection attacks
  - Off-the-shelf secure isolation using Trusted Firmware-M (TF-M); and mbedTLS crypto acceleration package
- For more information on EPC2 and EPC4, refer to [Infineon Edge Protect](#).

### 4.2.2 Security architecture overview

This product line has an isolated secure enclave and two CPUs: Cortex®-M33, and Cortex®-M55; as [Figure 11](#) shows:



**Figure 11 Security architecture diagram**

Secure enclave:

- Provides secure boot process including root of trust (RoT) and DICE mechanisms. Boot starts from ROM\_BOOT stored in local ROM
- Provides local crypto block for secure cryptographic operations, including SCA and DPA protected crypto
- Provides run-time services to support secure boot, secure firmware update, and other RoT services
- Supports lockstep architecture with two islands of replication for CPU (2x) and crypto (2x), for protection against fault attacks and semi-invasive attacks inside the CPU

Cortex®-M33:

- Arm® TrustZone enabled core with two processing environments: secure (SPE) and non-secure (NSPE)
- Infineon proprietary protection units for memory and peripheral protection
- Integrated mbedTLS crypto acceleration package that supports software and hardware cryptography services
- Infineon-provided Trusted firmware-M (TF-M) implemented in SPE — its services are leveraged by Cortex®-M33 NSPE and Cortex®-M55, fully enabled to use hardware accelerated crypto operations

Cortex®-M55:

- This is an application core operating in NSPE. Applications run by this CPU can request TF-M services using PSA API calls

## 5 Block functional description

### 5.1 Processors

This product line has a multiple CPU architecture:

- Arm® Cortex®-M55, running at up to 400 MHz
- A machine learning (ML) coprocessor with the Cortex®-M55 CPU: the Arm® Ethos-U55 CPU, running at the same clock frequency as the U55
- Arm® Cortex®-M33 CPU, running at up to 200 MHz
- A neural network (NNLite) coprocessor with the Cortex®-M33 CPU, running at the same clock frequency as the M33

An inter-processor communication (IPC) block is included for synchronizing the CPUs' tasks.

The M33 CPU has Floating Point Unit (FPU), Digital Signal Processor (DSP), and Memory Protection Unit (MPU). It has Arm® TrustZone technology, and provides secure boot and secure zone settings. The M55 CPU has FPU with vectored fixed and floating point, and Arm® M-Profile Vector Extension (MVE).

The M33 CPU domain is a low-power domain. The M55 domain is a high-performance domain for high-performance compute purposes. The CPUs can access resources in each others' domains via a bus bridge.

Both CPUs have single-cycle cache memories to increase performance and reduce power. The M33 CPU has a 16-KB 4-way set associative I-cache. The M55 CPU has 32-KB I- and D-caches with the same cache architecture.

M55 TCM sizes are 256 KB each (I and D).

Each CPU has an Arm® Nested Vectored Interrupt Controller (NVIC) and an Arm® Wakeup Interrupt Controller (WIC). A WIC can wake up its processor from its CPU Deep Sleep mode. See [Power modes](#) for details.

Both CPUs have debug interfaces and support both SWD and JTAG. The chip also supports boundary scan for testing on a PCB; a separate TAP controller is provided for controlling boundary scan functions.

Both CPUs have trace capability. The M55 and M33 are connected to an Arm® Embedded Trace Macrocell (ETM) which is connected to an Arm® Trace Port Interface Unit (TPIU) with a standard ETM interface. The M33 CPU supports instruction trace with an Arm® Micro Trace Buffer (MTB) with 8-KB trace SRAM. Maximum trace clock frequency is 200 MHz, allowing CPUCLK/2 tracing.

[Table 3](#) shows the maximum operating frequency of each set of CPU for each of the system power modes (see [Power modes](#)).

**Table 3 CPU maximum frequencies vs. system power mode**

System power mode	M55/U55	M33/NNLite
High Performance (HP)	400 MHz	200 MHz
Low Power (LP)	140 MHz	80 MHz
Ultra-Low Power (ULP)	50 MHz	50 MHz

### 5.2 Inter-Processor Communication (IPC)

In addition to the Arm® SEV and WFE instructions, this product line incorporates two Inter-Processor Communication (IPC) blocks, namely IPC0 in the low-power domain and IPC1 in the high-performance domain. IPCs are not system deep sleep capable; however, IPC can wake up other CPUs from deep sleep. IPC0 can wakeup the high-performance CPU subsystem, whereas IPC1 can wake up the low-power CPU subsystem from CPU deep sleep. Each IPC instance includes 16 channels and 8 interrupt structures. The IPC channels can be used for communication and synchronization between CPUs. Each IPC channel also implements a locking scheme that can be used to manage shared resources. The IPC interrupts let one CPU interrupt the other, signaling an event. This is used to trigger events such as *Notify* and *Release* of the corresponding IPC channels. IPC0 channels 0 and 1 are reserved for the secure enclave.

### 5.3 DMA

The high performance and low power domains each include a DMA controller that can be used to transfer data to and from memory, peripherals, and registers. This allows for autonomous, deterministic control of peripherals such as the PWM, or enables large data transfers from a peripheral such as the ADC to memory.

There are two distinct DMA types, the HPDMA (AXI DMAC) and the DMA. The HPDMA and DMA are differentiated by their performance and their usage. The DMA controllers are bus masters in their respective domains:

- **High Performance Domain:** A high-performance DMA (HPDMA) with 4 channels. Each channel has a 128-byte FIFO and its own transfer engine that arbitrates for bus master access. The HPDMA uses the 64-bit AXI bus that shares a clock with the high performance CPU. The HPDMA is typically used to transfer large amounts of data.
- **Low Power Domain:** Two DMA controllers with 16 channels each. The two transfer engines independently request and utilize 16 channels each, arbitrating for bus master control as needed. This DMA uses the 32-bit AHB bus that shares a clock with the low power CPU. The DMA is optimal for small data size, transactional DMA, which would typically be used to transfer bytes between peripherals such as from ADC to RAM.

### 5.4 Cryptographic accelerator (CRYPTO)

This subsystem is a hardware implementation for acceleration of cryptographic functions and random number generators. It is accessible by Cortex®-M33 and Cortex®-M55 CPUs.

The cryptographic accelerator implements hardware support for the following:

- True random number generator (TRNG) and pseudo-random number generator (PRNG)
- CRC, up to 32 bits
- Symmetric algorithms and key lengths
  - AES (128/192/256), triple DES (112/168)
  - CHACHA20 stream cipher
- Asymmetric algorithms, key lengths, and curves
  - Elliptic curve cryptography (ECDSA) and RSA
  - ECC curves: 224, 256, 384, 521
  - RSA key length: 1024, 2048, 4096
  - Vector unit for acceleration of asymmetric key cryptography
- Hashes: SHA2 (256/384/512), SHA3 (256/384/512)

### 5.5 Memory

This product line has a variety of volatile and nonvolatile memory types, including access to external memory ICs (see [Serial Memory Interface \(SMIF\)](#)). All CPUs and other bus masters can access any memory block. The number of wait states depends on the access path, see [Wait states and latencies](#).

#### 5.5.1 Nonvolatile memory

This product line has 512 KB of nonvolatile resistive random access memory (RRAM) in the low power domain. Read access time is 35 ns. RRAM is read 128 bits at a time; with word caching. There are also 25 bits for ECC. Write access is one bit at a time, at approximately 1 µs/bit.

5120 bytes of RRAM are dedicated to OTP use cases, including storage of security assets (see [Security features](#)).

For detailed memory map of the RRAM, refer RRAM regions section in [PSOC™ Edge E8x2, E8x3, E8x5, E8x6 architecture reference manual](#).

**Table 4** RRAM endurance and retention

Parameter	Conditions <sup>1)</sup>	Minimum
RRAM endurance	-20 to +70 °C ambient	100k write cycles
RRAM retention	Ta ≤ 70 °C, 100k P/E cycles	20 years

1) Some packages have a smaller operating ambient temperature range. See [Package information](#)

## 5.5.2 EEPROM

In this product line, part of the RRAM may be used to emulate EEPROM using the supplied software driver. The implementation uses redundancy (an integer multiple of the EEPROM memory size) for simplicity. The EEPROM-like memory has the following properties:

- Byte-programmable
- Size selectable from 1 KB to 64 KB in binary increments
- 1 million cycles endurance at 25 °C, 200k cycles over -40 to +85 °C with 20-year life

## 5.5.3 SRAM

This product line has SRAM and system SRAM, in the low-power and high-performance domains:

- **SRAM:** 1 MB in the low power CPU subsystem (Cortex®-M33). Portions of this SRAM can be retained during the System Deep Sleep power mode; the retained amount is selectable in 64-KB increments. The SRAM is implemented as several independent blocks to allow simultaneous access from different processors to different regions.
- **System SRAM ("SoCMEM"):** 5120 KB in the high-performance domain. This memory is organized in ten partitions of 512-KB each, with retention of individual partitions. It can be accessed from either the M55 or the M33, with bus arbitration.

## 5.5.4 Serial Memory Interface (SMIF)

This product line features two SMIF interfaces, each equipped with a 32 KB cache, depending on the package (see [Table 9](#) and [Ordering information](#)). Each interface can access up to 1 GB of address space allocated in the memory map.

The SMIF allows code execution-in-place (XIP) from the external memory; it is not required to copy code into the internal memory to execute it. Up to 64 MB is supported in XIP mode.

On-the-fly (OTF) encryption and decryption are supported. The SMIF supports a clock speed of 200 MHz in octal xSPI DDR mode. Infineon HYPERBUS™ is also supported.

## 5.5.5 Wait states and latencies

When accessing a memory area from the CPU, specifically the CM33 or CM55 cores, the primary focus is on the time required to retrieve data (read) at the relevant system operating frequencies. While write access times are also relevant, writes can typically be posted, allowing the operation to proceed without requiring immediate acknowledgment. In contrast, reads must traverse the full outbound address and control signal path, as well as the inbound data access path, which directly affects system performance and response times. It is important to note that this section is limited to scenarios where the CPU is the bus master, and other potential bus masters in the system are not the focus of this analysis.

Generally, there are two components in the access time:

5 Block functional description

1. Wait states of the memories being read
2. Delay through the Network Inter-Connect (NIC)

**Note:** This section covers wait states for RRAM and SRAMs, which are of primary interest to users.

1. Wait states (WS):

- a. RRAM: RRAM writes are much slower than RRAM reads (as it is typical for most non-volatile memory) and are not considered here.

RRAM read is controlled by an internal 160 MHz read state machine clock, which is designed to produce data in 30 ns (also referred to as “analog read time”) irrespective of the voltage mode (0.7 to 0.9 V). Besides this time, the following times are required for an RRAM read: 1 clock for address read and 1 clock for ECC correction (assuming 0 or 1 bit correction; otherwise, it will be longer).

Based on 30 ns, the WS values for a cycle time of T<sub>cy</sub> in nanoseconds will be ceil (30/T<sub>cy</sub>). For example, for a 200 MHz AHB clock frequency, the WS value will be 6; for 50 MHz, it will be 2.

Voltage (V)	Frequency (MHz)	Wait states (WS)
0.9 (HP mode)	200	6
0.8 (LP mode)	80	3
0.7 (ULP mode)	50	2

- b. SRAM: All SRAMs are designed to have zero wait states at their peak target frequencies. This is the time for SRAM to deliver data, meaning that the address is latched on one clock edge and data is available on the next edge.

Access cycles do not change with voltage and frequency scaling so that provided voltage and frequency limits are observed; all SRAM wait states remain zero wait states. This implies that the number of cycles to access SRAM (CLK\_HF0) and system SRAM (CLK\_HF2) do not change.

2. Delay through the Network Interconnect (NIC):

- a. M33:

Memory resource	Outbound clock cycles	Access time	Inbound clock cycles	Comment
RRAM	3 AHB clocks	Ceil(30ns/AHB T <sub>cy</sub> )	2 AHB clocks	128-bit C-AHB. I-Cache refill. 32-bit access is similar
SRAM	-	-	1 AHB clock	No wait states
System SRAM	3 AHB clocks	6 System SRAM clocks	2 AHB clocks	32-bit access and 128-bit access (parallel bank read)

- b. M55:

Memory resource	Outbound clock cycles	Access time	Inbound clock cycles	Comment
RRAM	3 AXI + 5 AHB cycles	2 * Ceil (30ns/AHB T <sub>cy</sub> )	4 AHB + 4 AXI cycles	64-bit word read takes 2 cycles
SRAM	3 AXI clocks + 3 AHB clocks	4 AHB cycles (2 accesses)	7 AXI clocks + 3 AHB clocks	64-bit word read takes 2 cycles

5 Block functional description

Memory resource	Outbound clock cycles	Access time	Inbound clock cycles	Comment
System SRAM	3 AXI clocks	6 System SRAM clocks	2 AXI clocks	First word access, subsequent accesses each take one System SRAM clock

### 5.6 Protection units

Protection units are hardware blocks that implement schemes to protect memory, peripherals and shared resources from bus masters, preventing unauthorized code from accessing those resources. This product line has multiple protection units. Implementation Defined Attribution Unit (IDAU), Secure Attribution Unit (SAU) and Memory Protection Unit (MPU) are part of Arm® TrustZone technology; in addition Infineon provides proprietary protection units such as MPCs and PPCs.

The MPCs and PPCs use the concept of secured and non-secured address aliases. They use the aliases to control the accessibility of memory regions and peripherals, to make them secured or non-secured. They also isolate memory regions and peripherals from CPU masters by means of protection contexts.

**Protection context (PC)** is a pseudo state of a bus master, controlled with a set of hardware registers that configure each bus master with certain attributes, which the protection units use to determine access. The protection units support memory and peripheral access attributes including address range, read/write, code/data, privilege level, secured/non-secured, as well as protection context. For example, PCs can be set up to isolate a memory region or peripheral such that it is accessible by a single CPU, and not accessible by the other CPU.

This product line supports up to eight protection contexts. Some protection unit resources and protection contexts are reserved for system usage, see the reference manual for details.

### 5.7 Clocks

This product line has fully integrated clocks. It provides clocks to all blocks that require clocks. It switches between different clock sources without glitches, and ensures that no metastable conditions occur.

The clock sources are:

- Internal high-speed oscillator (IHO): 50 MHz ±1%
- Precision internal low-speed oscillator (PILO): 32 kHz, no external crystal needed. Periodic calibration can be done by software (driver / library supplied).
- External crystal oscillators (ECO and WCO)
- Three digital phase-locked loops (DPLL) are available for clock generation. They operate in the System HP, LP, and ULP power modes (see [Power modes](#)).
- External clock input

The DPLLs provide fast wake-up at high clock speeds. DPLL jitter levels are low and allow 12-bit SAR ADC operation. There are two types of DPLL:

- Two lower frequency and optimized for low power (DPLL LP)
- One high-frequency and high-performance (DPLL HP)

The HP DPLL is optimized for high-speed operation. It works over a broad range of frequencies, i.e., 50 MHz to 500 MHz. The LP DPLL operating range is 10 MHz to 500 MHz

Clocks can be divided down to generate synchronous clocks for the analog and digital peripherals. Integer and fractional clock dividers are provided:

- Eight 8-bit clock dividers
- Sixteen 16-bit integer clock dividers

---

**5 Block functional description**

- Four 16.5 fractional clock dividers
- One 24.5 fractional clock divider

The 16-bit dividers allow more flexibility in generating fine-grained frequency values. The digital clock dividers generate either 1 in N clocking where  $N = \text{divisor}$  or an approximately 50% duty cycle clock for the analog circuitry.

### **5.7.1 Internal high-speed oscillator (IHO)**

The IHO operates at a fixed 50 MHz frequency. Its tolerance is  $\pm 1\%$ . A high-speed clock can be derived using the IHO plus a DPLL. The IHO is used as the clock source during wakeup.

### **5.7.2 Precision internal low-speed oscillator (PILO)**

The PILO is a precision low-power oscillator with a typical current of  $1.15 \mu\text{A}$  and frequency of 32.768 kHz with 250 ppm accuracy. The PILO can operate in the System Hibernate power mode.

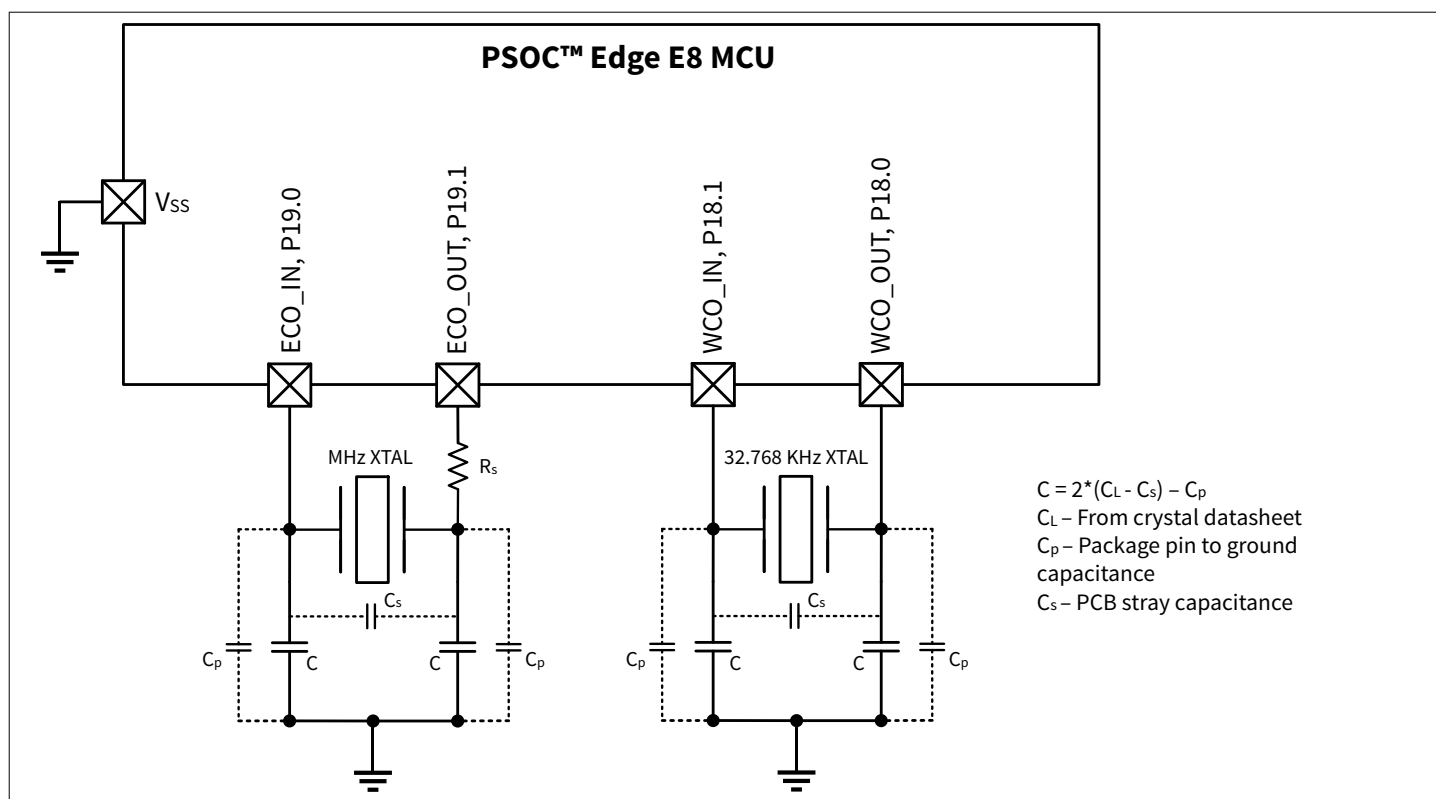
### **5.7.3 Watchdog timer (WDT)**

This product line has one free-running watchdog timer (WDT) and two multi-counter watchdog timers (MCWDT). Both WDTs generate device reset if not serviced within a configurable interval. In addition, the WDTs can be used as an interrupt source or a wakeup source in low-power modes (MCWDT is recommended for this use case). The Free-running WDT can be clocked by PILO and is available in all device power modes. MCWDT can be clocked by PILO or WCO and is available in all except Hibernate power-mode.

### **5.7.4 External crystal oscillators (ECO)**

This product line has two oscillators that use external crystals: high-frequency and low-frequency (watch crystal). Both oscillators can be used in precision timing applications. The WCO is low-power and has a frequency tolerance of 250 ppm.

[Figure 12](#) shows all of the external crystal oscillator circuits for this product line. The component values shown are typical; check crystal datasheet for the load capacitor values.



**Figure 12 External Oscillator Circuits**

Rs is key to limiting power delivered to XTAL/resonator so that it does not get damaged. It also contributes to phase shift of the overall network.

Following are the recommended crystal specifications:

- ECO
  - Nominal frequency: 4 to 35 MHz
  - Drive level protection: 100 ~ 200 μW at minimum
  - Equivalent Series Resistance (ESR): Upto 200 Ω for oscillation
  - Crystal load capacitance (CL): 10 pF
- WCO
  - Nominal frequency: 32.768 kHz
  - Drive level protection: 0.1 ~ 0.5 μW
  - Equivalent Series Resistance (ESR): Upto 90 kΩ for oscillation
  - Crystal load capacitance (CL): 4 pF to 14 pF (5% tolerance)
  - Typical current of 120 nA @ 4 pF load

For more information, see the [PSOC™ Edge E8x2, E8x3, E8x5, E8x6 architecture reference manual](#) and [AN236503 PSOC™ E8 MCU hardware design considerations](#).

### 5.7.5 Real time clock

This product line includes a real time clock (RTC). The RTC has the following features:

- Binary values for time (hour, minute, and second fields), date (day, month, and year fields), and day of week
- 12-hour or 24-hour format



## 5 Block functional description

- Automatic leap year correction with century interrupt
- Sixteen 32-bit backup registers to retain application data in all low-power modes, including Deep Sleep-OFF and Hibernate mode

In addition to the above features, the RTC has two individual alarms with matching for six RTC fields (hour, minute, second, date/month, and day of week). Both alarms have interrupts to notify matching; these interrupts can wake up the system.

## 5.8 Reset

This product line is reset from a variety of sources including a software reset (SRES). Reset events are asynchronous and guarantee reversion to a known state. The reset cause is recorded in a register, which retains its state through reset and allows software to determine the cause of the reset. An XRES pin is reserved for external reset input.

The XRES pin is active low. It should be externally pulled up to  $V_{DD}$  via a 4.7 k $\Omega$  resistor as shown in Figure 13. This will make sure that the XRES pin is not left floating in the design and that the device can function properly. It is recommended to connect a capacitor (typically 0.1  $\mu$ F) to the XRES pin to filter out glitches and give the reset signal better noise immunity. Optionally, if the device is controlled by an external host, the XRES pin can be directly driven by the host.

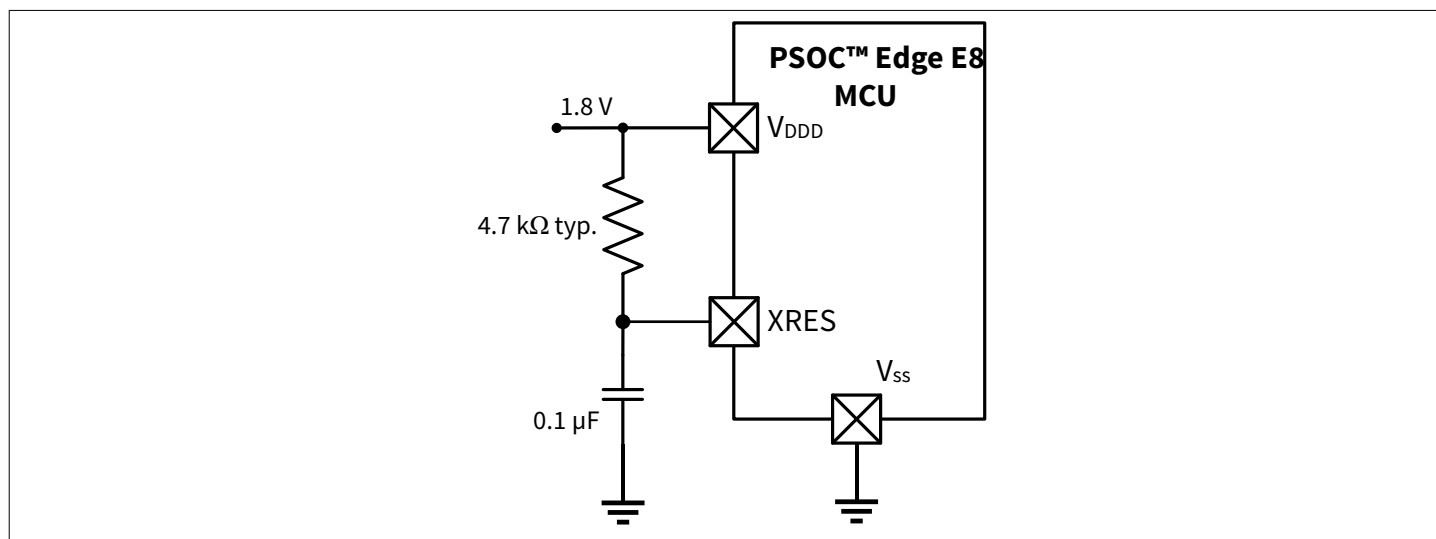


Figure 13 XRES Connection Diagram

## 5.9 Autonomous Analog

Autonomous Analog is a low-power, reconfigurable, mixed-signal, sensing, conditioning, and response system that operates independently of the CPU.

5 Block functional description

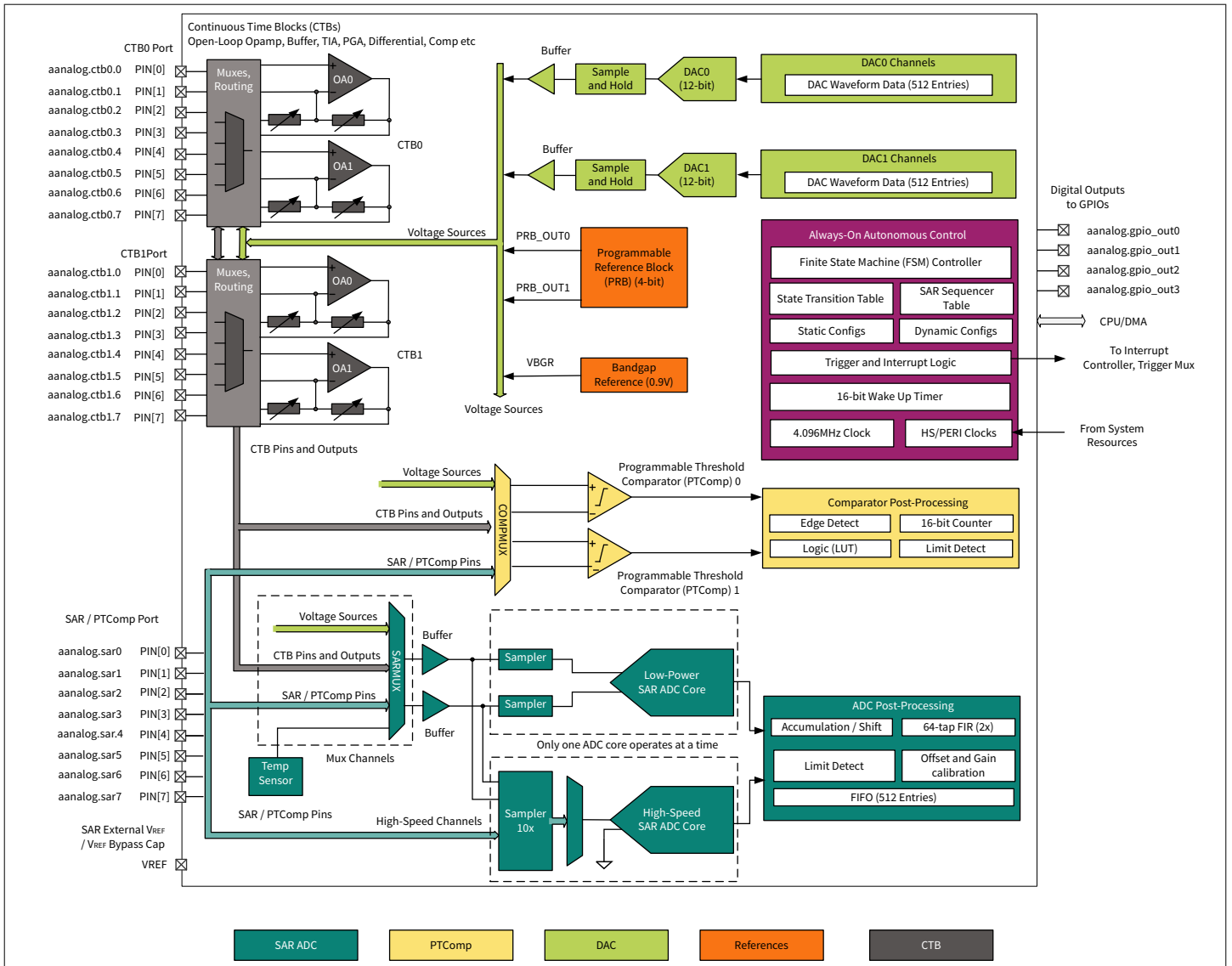


Figure 14 Autonomous Analog block diagram

The run-time control activities, such as enabling or disabling blocks, changing the power modes of the blocks, switching inputs/routing, waiting for the ADC scan to finish, triggering the DAC, and so on, are done by the Always-On Autonomous Controller independent of the CPU. For this purpose, most analog blocks in Autonomous Analog have a static configuration (unchanged by the Autonomous Controller during run-time) and a Dynamic Configuration (can be changed by the Autonomous Controller during run-time).

5.9.1 SAR ADC

Autonomous analog in this product line has a SAR ADC with the following features:

- 12- to 20-bit (with accumulation) results
- 5-Msps sample rate at 12 bits or 250-kps at 16 bits in System High Performance mode (HS mode ADC)
- 200-kps sample rate at 12 bits or 12.5-kps at 16 bits in System Deep Sleep mode (LP mode ADC)
- Buffered Inputs
- Inputs from 16 pins or 7 internal signals (from opamps, DACs, temperature sensor etc.)
- Simultaneous sampling of as many as 10 inputs

---

**5 Block functional description**

- 32 logical channels
- Post processing and storage
  - Accumulation and averaging – 2x,4x, 8x ... 256x
  - Two 64-tap FIR filters
  - A 512-entry FIFO that can be subdivided into 2, 4, or 8 FIFOs
  - Limit detection
  - Offset and gain calibration

**5.9.2 DAC**

Autonomous Analog in this product line has two digital-to-analog converters (DACs) with the following features:

- 12-bit continuous time output
- 1- $\mu$ s settling time
- Waveform generation using a 512-entry waveform data memory
- Buffers with sample and hold support
- 16 input channels (15 hardware and 1 firmware)
- Selectable voltage reference:
  - VDDA
  - VDDA/2
  - Internal 0.9-V band-gap reference
  - External VREF buffered through CTB opamps

**5.9.3 Continuous time block (CTB)**

Continuous-Time Blocks (CTB) consist of opamp circuits that can perform analog front-end functions.

Autonomous-Analog in this product line has two CTBs, each consisting of two opamps, feedback resistor networks, and multiplexers that can form topologies such as:

- Programmable Gain Amplifier (PGA)
- Trans-impedance Amplifier (TIA)
- Pseudo-Differential Amplifier
- Unity Gain Buffer (Voltage Follower)
- Open Loop Opamp
- Comparator

**5.9.4 PTCComp**

Programmable-Threshold Comparators (PTComp) are used to compare an input with another input or a reference.

Autonomous analog in this product line has two PTCComps with the following features:

- Programmable power and response times
- Selectable inputs from as many as 16 GPIOs and eight internal signals
- A 30-mV hysteresis option
- Rising edge, falling edge, and combined rising and falling edge detection at the comparator output
- Post-processing to detect comparator activity - used for applications such as acoustic activity detect and Motor Control

## 5.10 Low-power comparator

This product line has two low-power comparators, which operate in System DeepSleep and System Hibernate power modes. This allows other analog blocks to be disabled while retaining the ability to monitor external voltage levels during low-power modes. The comparator outputs are synchronized to avoid metastability, unless operating in an asynchronous power mode (that is, System Hibernate) where the wake-up circuit is activated by a comparator switch event.

## 5.11 Fixed function digital

### 5.11.1 Timer/counter/PWM (TCPWM)

This product line has 32 TCPWM blocks. Eight have 32-bit counters and 24 have 16-bit counters. Each TCPWM block consists of the following:

- a counter
- a period register to either stop or auto-reload the counter
- a capture register to record the counter value at the time of an event
- compare registers to control PWM duty cycle
- Edge-aligned, center-aligned, and asymmetric-aligned PWM
- PWM true and complementary outputs with a programmable offset to create a dead-band between the outputs
- PWM kill input; can be driven by an external voltage level via a comparator
- Quadrature input measurement

### 5.11.2 Serial communication block (SCB)

This product line has 12 SCBs (9 in the WLB-154 package, see [Ordering information](#)). SCB1 to SCB11 can be configured to implement an I<sup>2</sup>C, UART, or SPI interface, and can be masters or slaves. SCB0 can operate in the System Deep Sleep power mode with an external clock; and it only supports I<sup>2</sup>C slave mode and SPI slave mode.

Each SCB has a 256-byte FIFO for receive (Rx) and transmit (Tx). This reduces the need for I<sup>2</sup>C clock stretching caused by the CPU not having read data on time. The FIFO is available for all modes.

All of the SCB blocks support DMA transfers.

**I<sup>2</sup>C mode:** This mode implements full multi-master and slave interface capable of multi-master arbitration. It operates at speeds of up to 1 Mbps (Fast Mode Plus) and has flexible buffering options to reduce interrupt overhead and latency for the CPU.

This mode also supports EZI<sup>2</sup>C, which creates a mailbox address range in memory and effectively reduces I<sup>2</sup>C communication to reading from and writing to an array in memory.

**UART mode:** This is a full-feature UART operating at up to 8 Mbps. It also supports the 9-bit multiprocessor mode that allows addressing of peripherals connected over common Rx and Tx lines. Common UART functions such as parity error, break detect, and frame error are supported.

**SPI mode:** This mode supports full Motorola SPI, TI SSP (essentially adds a start pulse used to synchronize SPI codecs), and National Microwire (a half-duplex form of SPI). This mode also supports EZ SPI, in which data interchange is reduced to reading and writing an array in memory. One SCB can run SPI in high speed mode at up to 50 Mbps. The remaining SCBs can run SPI at up to 25 Mbps.

### 5.11.3 CAN FD

This product line has two CAN FD channels, each operating at up to 8 Mbps, with a shared 8-KB message buffer. Each channel includes:

5 Block functional description

- Up to 64 dedicated receive buffers
- Two configurable receive FIFOs (up to 64 buffers each) with acceptance filters
- Up to 32 dedicated transmit buffers with configurable FIFO and queue

The CAN FD controller complies with the ISO 11898-1 (CAN specification Rev. 2.0 parts A and B). In addition, it supports the Time-Triggered CAN (TTCAN) protocol defined in ISO 11898-4. It has AUTOSAR support.

The CAN FD controller functions only in Active and Sleep power modes. In DeepSleep mode, it is not functional but is fully retained.

### 5.11.4 Ethernet media access control (MAC)

This product line has an Ethernet MAC supporting 10/100 Mbps transfer rates and IEEE 1588 timestamp support. The bus interfaces support MII and RMII. Local buffer size is 8 KB, allowing storage of two Rx and Tx frames. This block supports flow control, virtual local area network (VLAN) tagging, and quality of service (QoS) prioritization. It also supports audio video bridging (AVB) applications.

### 5.11.5 I3C

This product line has an I3C block. I3C is a MIPI Alliance standard that aims to unify sensor serial interfaces into one pair of wires. All nodes connect to one pair of wires providing protocol support via frame encapsulation at a higher rate, thereby reducing the need for multiple I<sup>2</sup>C and SPI interfaces. The I3C block provides global signaling, in-band interrupts, time awareness, multi-master capability, and error detection. Controller and target modes are supported, except that single-role target mode is not supported. This block supports a base interface SDR clock of 12.5 MHz as both Controller and Target, and HDR-DDR mode (2X data rate) as Controller only.

### 5.11.6 SD host controller

This product line has two SD host controllers. They are primarily intended for communication with IoT combo chips providing Bluetooth®, Bluetooth® LE, and WiFi connectivity. These controllers can be programmed to support eMMC and SD cards.

Its key features are

- Complies with eMMC 5.1, SD 6.0 and SDIO 4.10 standards
- Supports host controller interface (HCI) 4.2 shared by eMMC and SD
- Supports three DMA modes - SDMA, ADMA2, and ADMA3 - through a dedicated DMA engine
- Supports command queuing engine (CQE)
- Provides 2 KB SRAM for buffering up to two 1 KB blocks
- Provides I/O interfaces for functions such as card detection, mechanical write protection, eMMC card reset, and LED control

It supports following interface modes:

**Table 5 SDHC interface modes**

Mode	Protocol speed	I/O (V)	Max Freq. (MHz)	Data width (bits)	Max throughput (MB/s)
SD	Default speed (DS)	3.3	25	1, 4	12.5
SD	High speed (HS)	3.3	50	1, 4	25
SD	SDR12	1.8	25	1, 4	12.5

(table continues...)

**Table 5** (continued) SDHC interface modes

Mode	Protocol speed	I/O (V)	Max Freq. (MHz)	Data width (bits)	Max throughput (MB/s)
SD	SDR25	1.8	50	1, 4	25
SD	SDR50	1.8	100	1, 4	50
SD	DDR50	1.8	50	1, 4	50
eMMC	Legacy/Backward compatible (BWC)	1.8/3.3	26	1, 4, 8	26
eMMC	SDR	1.8/3.3	52	1, 4, 8	52
eMMC	DDR	1.8/3.3	52	1, 4, 8	104

### 5.11.7 USB

This product line has a High-Speed 480 Mbps USB interface with integrated PHY. It has Host and Device capability, allowing connection to USB peripherals and hosts. It supports 16 endpoints plus one control endpoint. Of these, eight are IN and eight are OUT endpoints. Each endpoint is user-configurable as bulk, interrupt, or isochronous.

The USB interface has a 4-KB SRAM buffer which is configured at runtime to support the application endpoint configuration. It has a DMA interface so that packet transfers can be done without interrupting either CPU. The block supports a sleep state with rapid wakeup (50  $\mu$ s) from suspend as defined in the USB specification.

The PHY includes series resistors to meet minimum driver impedance specifications: USB pull-down resistors in host mode (nominally 15 k $\Omega$ ), and idle mode and FS device mode D+ pull-up resistor.

Type-C upstream facing port (UFP) support is provided by detecting the voltage levels on the CC1 and CC2 pins (using GPIOs) with external pull-down resistors, and measuring the voltage on the pins using the ADC and internal reference to determine the orientation and current capability.

## 5.12 GPIO ports

This product line has up to 147 IO Pins. There are 16 1.8 V HSIOs (high-speed IO; 200 MHz); 92 1.8 V standard (100 MHz) GPIOs; 8 1.8 V OVT (over-voltage tolerant; 100 MHz) GPIOs; 16 1.8 V / 3.3 V (50 MHz) GPIOs; and 15 FFIO (fixed-function IO) pins for a total of 147. 6 FFIO pins are designed for 200 MHz clock and SMIF functions, 7 are used for graphics driving MIPI-DSI signals, and 2 are dedicated for USB. The 16 HSIOs on P1 and P4 are shared with SMIF functionality. 16 pins on P16 and P17 operate at 3.3 V (max voltage 3.6 V) or 1.8 V. 8 1.8 V OVT pins of port 11 (P11.0 to P11.7) are over-voltage tolerant for I<sup>2</sup>C compliance. Two ports P16 and P17 operate at 1.8 V.

Each of the GPIO pins implement the following:

- Eight drive modes including strong push-pull, resistive pull-up and pull-down, weak (resistive) pull-up and pull-down, open drain and open source, input only, and disabled. Some GPIO pins are input only; the resistive pull-up and pull-down modes are not available on these GPIOs. See [Table 9](#) for details on which GPIOs are input only
- Analog signal input capability (IO buffers disabled, signal passed through switches)
- Input threshold select (CMOS or LVTTTL)
- Individual control of input and output disables
- Hold mode for latching previous state (used for retaining IO state in System Deep Sleep and System Hibernate modes)
- Selectable slew rates for dV/dt-related noise control

The OVT pins allow input voltages of up to 1.8 V regardless of the V<sub>DDIO</sub> voltage. These pins allow interfacing to open-drain devices operating at higher voltages as well as provide high-impedance inputs for hot swap and power

---

## 5 Block functional description

switching. These are primarily used for I<sup>2</sup>C; these must not draw more than 10 μA when their power supply is grounded and the pins they are connected to are at 1.8 V.

The pins are organized in logical entities called ports, which are 8 bits in width. During power-on and reset, these blocks are forced to the disabled state so as not to crowbar any inputs and/or cause excess turn-on current. A multiplexing network known as a high-speed IO matrix (HSIOM) is used to multiplex between various signals that may connect to an IO pin.

A simple register interface maximizes driver reuse. Data output and pin state registers store, respectively, the values to be driven on the pins and the states of the pins themselves.

Every IO pin can generate an interrupt if so enabled; each IO port has an interrupt request (IRQ) and interrupt service routine (ISR) vector associated with it.

The IO ports retain their state during the System Hibernate power mode. If operation is restored using a reset, the pins go the High-Z state. If operation is restored by using a wakeup pin, the pin drivers retain their previously frozen state until firmware chooses to change it.

Simultaneous switching of outputs in high-current mode requires attention to line termination and a decoupling capacitor to control switching transient voltages.

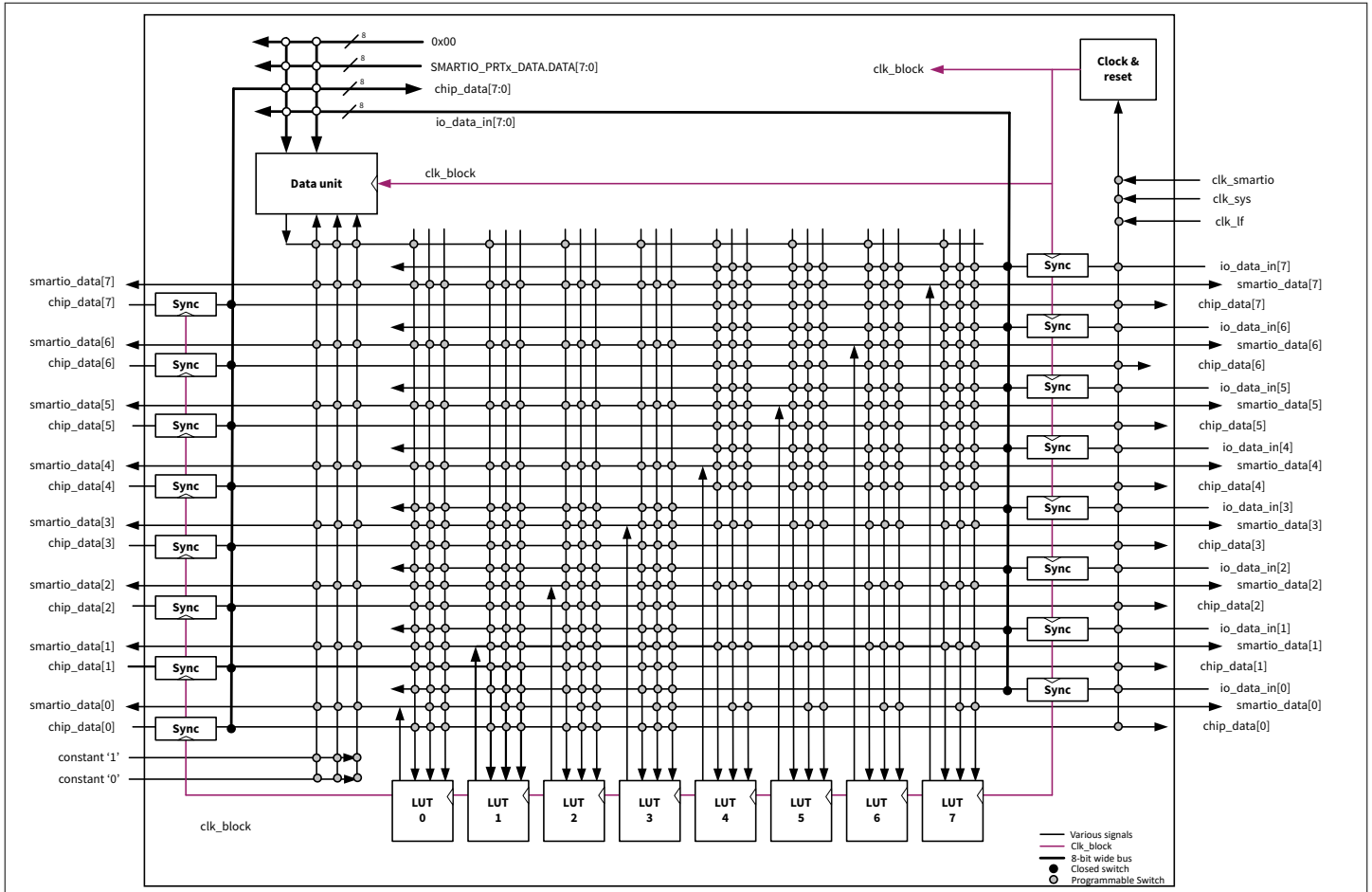
GPIO pins can be ganged to sink 16 mA or higher values.

5 Block functional description

### 5.13 Smart I/O (programmable I/O)

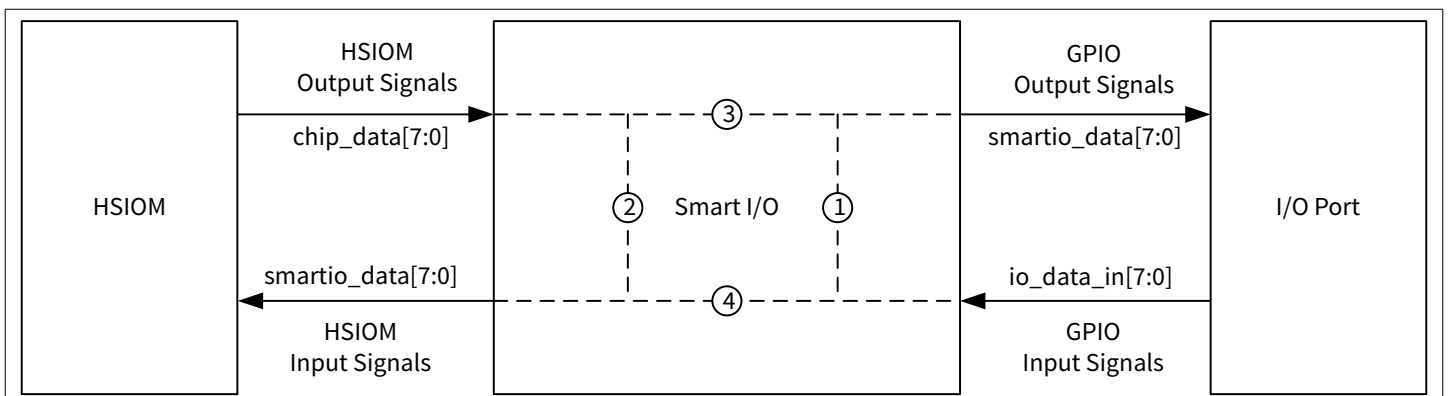
The 8-bits-wide smart I/O block provides a programmable LUT array associated with a particular I/O port. It is similar in concept to programmable array logic (PALs) or small programmable logic devices (PLDs). It allows integration of glue logic and Boolean functions at the pins.

The smart I/O block is a fabric of switches and LUTs that allows Boolean functions to be performed on signals being routed to the pins of a GPIO port. It can perform LUT functions on input pins to the chip and output signals.



**Figure 15** Smart I/O block diagram

The smart I/O block is interposed between the port pins and the high-speed I/O matrix (HSIOM), which multiplexes signals between on-chip peripherals and port pins. It is possible to bypass the smart I/O to avoid propagation delay in critical paths to the port pins.



**Figure 16** Smart I/O placement



The smart I/O supports Active, Sleep and Deep Sleep power modes. In Deep Sleep the IO rates are expected to be less than 1 MHz so that the current draw from the blocks is very small.

## 5.14 Neural net processing for machine learning

This section outlines advanced neural net processors designed to accelerate machine learning workloads. These coprocessors work alongside Cortex® CPUs to optimize neural network inference for various AI applications, ensuring efficient data handling, low power consumption, and compatibility with leading machine learning frameworks. This makes them suitable for both performance-critical and low-power use cases.

### 5.14.1 Arm® Ethos-U55

This product line includes an Arm® Ethos-U55 neural net processor, which works in conjunction with the Cortex®-M55 CPU to accelerate neural net (NN) operations. It supports 8-bit weights and weight compression to reduce memory usage. It also performs 128 MACs/clock cycle.

The U55 operates on a command stream resident in on-chip memory, which it fetches and executes autonomously, freeing the M55 for other operations, using weights stored in SRAM or system SRAM. It has a buffer for commands and for writing results to. It generates an interrupt after completing the command. In one example mode of operation, the network is trained in TensorFlow and quantized to produce an Int8 TensorFlow lite (\*.tflite) file. An NN optimizer identifies graphs to run on the U55; lossless compression is used to reduce the size of the \*.tflite file. Finally a runtime executable file is produced which can utilize U55 to accelerate supported kernel operations.

The combination of the M55 and U55 is roughly 50x faster than a Cortex®-M7 at the same clock frequency for computing inferences, and about 25x more energy efficient.

Multiple types of neural networks such as dense, convolutional, and recurrent are supported. In addition, a variety of NN kernels such as convolution (1d/2d/3d), fully-connected, recurrent (GRU/LSTM) may be supported. Supported NN kernels and graphs may be used to implement popular neural network architectures such as mobilenetv1, mobilnetv2, RNNoise, and so on.

Applications for neural net acceleration with Arm® Ethos-U55 includes following but not limited:

- Industrial applications: vibration detection, anomaly detection, object recognition
- Consumer applications: keyword detection, speech recognition, image/object recognition, gesture recognition

### 5.14.2 NNLite

This product line includes a neural network (NNLite) coprocessor, which works in conjunction with the Cortex®-M33 CPU, running at the same clock frequency as the Cortex®-M33 CPU. It is an ACTIVE state peripheral that accelerates specific set of neural network (NN) inference calculations optimized for low to moderate complexity machine learning (ML) models such as wake word detection (WWD), human activity recognition (HAR). NNLite implements single layer of neural network acceleration that can be scheduled to create various NN topologies. The NNLite coprocessor falls in low-power domain making it ideal for always-ON use cases at lowest power.

The NNLite is designed to optimize neural network inference by focusing on vector dot product operations, which are executed using a configurable 4-way integer SIMD MAC unit. This unit supports vector dot products, vector products, and vector additions. Data handling is managed by input and output streamers, which autonomously fetch data and write back results. The input streamers handle biases, weights, and activations, while the output streamer applies activation functions like ReLU and Sigmoid and packs data for efficient memory use.

NNLite supports various neural network kernels, including dense (fully connected), 2D convolution, depthwise 2D convolution, pooling (min, max, average), GRU, and LSTM. It also handles pointwise operations like add, subtract, and multiply, as well as re-quantization and rescaling. Activation functions include fused options like ReLU and Leaky ReLU, as well as unfused options like Sigmoid, tanh, and Softmax. Supported data precisions include 8-bit, 16-bit, and 32-bit for activations and weights, with zero weight skipping for efficient computation.

The MAC unit supports up to 4 multiplications/additions per clock cycle and enables high-performance operations with features like sparsity-aware weight compression. The accelerator is compatible with TensorFlow Lite for microcontrollers and other frameworks, ensuring support for common neural network models and quantization techniques. With its efficient data handling, versatile kernel support, and low power consumption, NNLite is ideal for a variety of AI applications.

## 5.15 Audio functions

This product line includes multiple blocks such as the PDM/PCM block, TDM/I2S block, and autonomous analog block, which collectively support a wide range of audio features.

### 5.15.1 PDM/PCM block

The PDM/PCM block supports up to 6 microphones, typically used in voice control applications. The Pulse Density Modulation (PDM) interface, receives data coming from a digital microphone such as a MEMS microphone. MEMS microphones, used in compact and low-cost applications, use PDM interfaces. The PDM stream is processed by PDM-PCM converter IP block, which produces Pulse Code Modulated (PCM) words. These PCM words are sent to voice recognition software either locally resident or remote (data sent over Bluetooth®, Bluetooth® LE, or Wi-Fi). If audio output is required, the PCM words are sent through an I2S interface.

The key features include:

- Supports up to 6 PDM receivers with mono and stereo configurations
- Halve-rate sampling to reduce system power consumption
- Multiple filtering options: CIC filter, FIR filter, and DC blocking filter for noise reduction and decimation
- Programmable settings for interface clock, FIR filter coefficients, decimation rates, DC blocking coefficients, sampling delay, and PCM sample size (8 to 32 bits)
- Includes a 64-entry RX FIFO with interrupt and trigger support
- Shared data path with SRAM, FIR filter, and DC blocking filter logic for efficient processing

### 5.15.2 TDM/I2S block

The Time-Division Multiplexing/Inter-IC Sound Bus (TDM/I2S) interface is a serial bus used for connecting digital audio devices. It implements TDM as the main interface and I2S as a special case of TDM. The 2 TDM blocks extend the I2S interface to support four channels, with two channels per extension. The interface includes a transmitter (Tx) and receiver (Rx), both supporting simultaneous operation in master or slave modes.

The key features include:

- Supports 8-channel TDM and Philips I2S digital audio formats
- Full-duplex and half-duplex operation for both Tx and Rx
- Configurable to operate with an external master clock (e.g. from an audio codec)
- Independent clock dividers for Tx and Rx to achieve required sample rates
- Programmable channel length of up to 32 bits and PCM sample/data word lengths of 8 to 32 bits
- Left-aligned and right-aligned data word formatting with programmable channel delay (0 or 1 bit)
- Hardware FIFO buffers of 128 data words for both Tx and Rx
- Supports common sampling frequencies starting from 4 kHz to 96 kHz
- Compatible with both DMA-based and CPU-based data transfers

### 5.15.3 Autonomous analog block with analog mic

Autonomous analog is a low-power, mixed-signal system ideal for audio sensing and processing. The autonomous analog block, configured with an analog microphone, supports always-ON use cases and operates independently of the CPU.

It features a SAR ADC with 12-bit to 20-bit resolution and simultaneous multi-channel sampling, enabling high-fidelity audio data acquisition. The system includes two 12-bit DACs with waveform generation capabilities and programmable threshold comparators supporting Audio Activity Detection (AAD). Additionally, it offers filtering options like FIR filters and supports signal conditioning through opamp-based programmable gain amplifiers (PGAs) and comparators. These features make it well-suited for low-power audio applications, even in deep sleep modes.

## 5.16 Graphics functions

This product line has a 2.5D graphics processing unit (GPU) with a display controller. It supports displays up to 1024 x 768 with a maximum of 60 frames/second rate. It supports up to 24 bits-per-pixel resolution and provides frame buffer compression.

The GPU supports vector graphics (draw circles, rectangles, quadratic curves) and font support. Operations such as rotate/scale, color fill, and color conversion are provided. The GPU can operate on a command list to reduce CPU intervention and partial screen updates to reduce power. It also has an autonomous operation mode where the CPU is not used.

Frames rendered by the GPU are transferred to the MIPI display serial interface (DSI) host controller by the display controller (DC). Both DBI (command mode) and DPI (video mode) standards are supported over the DSI interface as per the MIPI standards specification. In addition, MIPI DBI Types A, B, and C modes are also provided in their standard forms (i.e. not using DSI). DBI assumes that there is memory in the display. It consists of a series of commands to update the frame buffer that is resident in the display chip.

The output is 2-lane MIPI DSI; or MIPI DBI type A, B, or C; depending on the type of display. MIPI DSI is the lowest pin count and the lowest energy; it provides two lanes at up to 1500 Mbps per lane.

DSI PHY calibration requires that the DSI.REXT pin be connected to a 200  $\Omega$  resistor to ground. See [Table 9](#).

The graphics block supports 2x frame buffer compression for 24-bit RGB pixels via on-the-fly color space conversion from pixels stored in YUV 4:2:0 (12 bits per pixel) format. Up to 4-layer alpha blending is supported by the display controller. It is optimized for smaller displays and low power.

## 5.17 Boot source and alternate serial interfaces configuration

The extended boot executes the user application from either the OEM\_APP\_ADDRESS or the OEM\_ALT\_APP\_ADDRESS, based on the configuration defined in the extended boot policy. The primary application address, OEM\_APP\_ADDRESS, is specified within this policy. Additionally, an alternate boot location, OEM\_ALT\_APP\_ADDRESS, becomes valid only if the oem\_alt\_boot policy is enabled within the extended boot policy. When oem\_alt\_boot is enabled, the GPIO pin P17.6 serves a fixed function as the boot source configuration pin, as outlined in the following table:

**Table 6** Boot source configuration

P17.6 pin state	Boot location
Low ( $V_{SS}$ )	OEM_APP_ADDRESS
High ( $V_{DD}$ )	OEM_ALT_APP_ADDRESS

**Note:** OEM\_APP\_ADDR and OEM\_ALT\_APP\_ADDR can be either external flash or RRAM.

5 Block functional description

The default pre-programmed version of the extended boot enables alternate serial interfaces for provisioning and downloading applications using Infineon's proprietary Device Firmware Update (DFU) protocol. The selection of different serial interfaces can be configured through GPIO pins P20.1 and P20.2, as detailed in the following table.

**Table 7 Extended boot alternate serial interface configuration**

Serial interface configuration pins		Serial interface selected
P20.1	P20.2	
High-Z	NA	Disable
Low ( $V_{SS}$ )	High-Z	SPI
Low ( $V_{SS}$ )	Low ( $V_{SS}$ )	
Low ( $V_{SS}$ )	High ( $V_{DD}$ )	I2C
High ( $V_{DD}$ )	High-Z	UART
High ( $V_{DD}$ )	Low ( $V_{SS}$ )	
High ( $V_{DD}$ )	High ( $V_{DD}$ )	

To set the boot source selection and serial interface GPIO pins to a specific logic state, use pull-up or pull-down resistors of 5 kΩ or less connected to  $V_{DD}$  or  $V_{SS}$ , respectively. For more information, refer to the “Extended boot” section in the [PSOC™ Edge E8x2, E8x3, E8x5, E8x6 architecture reference manual](#).

When the alternate serial interface mode is enabled, the device is unable to boot from RRAM and external flash. Consequently, the OEM\_APP\_ADDRESS and OEM\_ALT\_APP\_ADDRESS parameters defined in the policy become invalid and are not applicable in this mode.

**Note:** *After the boot process is complete, all the above-mentioned GPIO pins can be repurposed for other functions within the application (refer to [Table 12](#)). However, it is important to consider the effect of the pull-up or pull-down configuration on these GPIO pins, as it may influence their behavior in the application.*

Extended boot uses SCB 1 for serial interface configurations; GPIO pins are configured by extended boot as per the selected interface, as shown in the following table.

**Table 8 Serial interface pin connection**

Serial interface	Serial interface pins			
I2C	SCL			SDA
	P9.3			P9.2
UART	RX			TX
	P9.3			P9.2
SPI	SCLK	MISO	MOSI	SS
	P9.3	P9.1	P9.2	P9.0

The serial interface configurations are as follows:

- I2C: Speed = 400 kHz, Mode = Slave, 7-bit address, address = 0x35
- UART: Baud = 115200, Bits = 8, Stop Bits = 1, RTS/CTS = No, Parity = None
- SPI: Mode = Slave, Motorola 00 (MSB first, CPHA = 0, CPOL = 0), Speed <= 12 Mbps

## 6 Pins

GPIO ports are powered by VDDx pins as follows:

- VDDIO.SMIF1: P0, P4
- VDDIO.SMIF0: P1, P2, P3, P5
- VDDIO0: P6, P7
- VDDIO1: P8
- VDDIO2: P9, P20
- VDDIO3: P10, P11
- VDDIO4: P12, P21
- VDDIO7: P13, P14
- VDDIO8: P15
- VDDIO6: P16, P17 (these ports operate at either 3.3 V or 1.8 V)
- VDDIO5: P18, P19
- VDD.USB: USB pins DP, DM
- SMIF pins:
  - VDDIO.SMIF0: P1, P2, P3, P5
  - VDDIO.SMIF1: P0, P4
- Graphics pins:
  - VDD.DSI: DSI.CLKN, DSI.CLKP, DSI.DATA0N, DSI.DATA0P, DSI.DATA1N, DSI.DATA1P, DSI.REXT<sup>1)</sup>
  - VCCA.DSI: VLDO.DSI<sup>2)</sup>

The number of GPIOs are limited in some packages. The BGA220 and eWLB-235 packages have the full 147 GPIOs (see [GPIO ports](#)); the WLB-154 package has 101 GPIOs. For detailed information on the supported packages, see [Package information](#)

If the graphics feature is used, connect the DSI.REXT pin to a 200 Ω resistor to ground. If not, tied to ground. See [Graphics functions](#).

Some GPIO pins are input only; the resistive pull-up and pull-down modes are not available on these GPIOs. See [Table 9](#) for details.

**Note:** The WLB-154 package has multiple connections to pins F13 and J11. These are connections within the device package to a single pin. For details see [Figure 7](#).

**Table 9 Packages and pin information**

Pin	Packages		
	BGA-220	eWLB-235	WLB-154
VDDD	A7 B8 F7 G4 P10	E11 J6 L10 M10 R11	C11 G3 L7 L8 L9
VDDA	H14 J11 J12	F13 F14 H13	F12
VDD.1P8	A9 C12	M12 R15 T15	L11 L12
VDD.DSI	D6	N7	K6
VDD.USB	M7	C5	A2
VDD.VBAT	A10 B10	T12 T13 U12 U13	J11
VDDIO.SMIF0	J3 M3	E2 G5 H6	C3 D4
VDDIO.SMIF1	E3 G3	K4 L5 N2	H3 K3

(table continues...)

<sup>1</sup> These pins are connected to GND for E81 and E83 series devices

<sup>2</sup> These pins are NC for E81 and E83 series devices

**Table 9 (continued) Packages and pin information**

Pin	Packages		
	BGA-220	eWLB-235	WLB-154
VDDIO0	R3	C3	A1
VDDIO1	E6	L9	L6
VDDIO2	N14	B16	B12
VDDIO3	E13	L14	F13
VDDIO4	B2	P5	L3
VDDIO5	A6	M9	J8
VDDIO6	R10	E10	B10
VDDIO7	G12	J14	F13
VDDIO8	L12	F16	D12
VDDQ	A11	M13	K11
VCCD	B1 B9 E9 F11 H4 M8	D8 J5 J11 M11 N4 U11	A4 F3 H14 J9 L1 L10
VCCA.DSI	C6 C7	M6 M7	K5
VCC.SRAM	F12 K3	F4 J12	C4 H12
VSSA	G13 H12 J13 K12 L13	D16 F15 H14 J13	E12 E13
VSS	B5 C8 C10 D3 D7 D9 D11 D13 E8 E12 F3 H3 L3 L8 N3 N10 R7	A1 A17 C2 C4 C11 C15 D9 G4 G6 J4 K5 K14 L4 L15 M16 N5 N8 N9 R7 R12 T11 T14 U1 U10 U14 U15 U16 U17	A3 B11 E3 H13 J3 K4 K7 K8 K10 L2
VSS.1P8	D12	N16	L14
VSS.VBAT	C11	N14	J11
VBAT	B11 D10	N13 R13	J11
VFB.1P8	B13	N15	K12
VFB.VBAT	B12	R14	J11
VLDO.DSI	B7	N10	K9
VLDO.RET	C9	N12	J10
VLDO.SRAM	A8	N11	H10
VOUT.1P8	C13	R16	L13
VOUT.VBAT	A12	M14	J11
VREF	K14	F17	D14
DSI.CLKN	A4	U4	L5
DSI.CLKP	A5	U5	L4
DSI.DATA0N	B4	R6	J5
DSI.DATA0P	B3	R5	H5
DSI.DATA1N	A3	T5	H4
DSI.DATA1P	A2	T4	J4
DSI.REXT	J6	N6	G5

**(table continues...)**

Table 9 (continued) Packages and pin information

Pin	Packages		
	BGA-220	eWLB-235	WLB-154
SMIF0.CLKN	L1	E1	-
SMIF0.CLKP	M1	D1	B3
SMIF0.RWDS	J1	H5	E2
SMIF1.CLKN	F1	M1	-
SMIF1.CLKP	E1	N1	H2
SMIF1.RWDS	H1	K6	F1
USB.DM	P7	A6	A6
USB.DP	N7	B6	A5
XRES	D8	R10	H9
P0.0	K5	K7	-
P0.1	C4	L6	-
P1.0/SMIF0.0	N2	F2	B1
P1.1/SMIF0.1	P1	G2	B2
P1.2/SMIF0.2	N1	D2	C1
P1.3/SMIF0.3	M2	C1	C2
P1.4/SMIF0.4	L2	H2	D3
P1.5/SMIF0.5	K2	G1	D1
P1.6/SMIF0.6	K1	F1	E1
P1.7/SMIF0.7	J2	H4	D2
P2.0	K4	J7	A10
P3.0	M4	H7	E7
P3.1	L6	H8	E8
P4.0/SMIF1.0	C2	M2	K1
P4.1/SMIF1.1	C1	P2	K2
P4.2/SMIF1.2	D2	L2	J1
P4.3/SMIF1.3	D1	R1	J2
P4.4/SMIF1.4	F2	K1	H1
P4.5/SMIF1.5	E2	J1	G2
P4.6/SMIF1.6	G2	K2	G1
P4.7/SMIF1.7	H2	J2	F2
P5.0	J4	J8	D5
P6.0	M6	C6	A7
P6.1	N6	B4	A8
P6.2	P6	A4	A9
P6.3	R6	A3	B9

(table continues...)

**Table 9 (continued) Packages and pin information**

Pin	Packages		
	BGA-220	eWLB-235	WLB-154
P6.4	R5	A2	B8
P6.5	R2	B3	B7
P6.6	P5	B2	B6
P6.7	P2	B1	B5
P7.0	P3	D5	B4
P7.1	N5	D6	C9
P7.2	R4	E5	C8
P7.3	M5	E4	C7
P7.4	P4	E6	C6
P7.5	L4	F7	C5
P7.6	N4	F6	D8
P7.7	L5	F5	D7
P8.0	H7	K10	G9
P8.1	J8	T8	G7
P8.2	J7	R8	G6
P8.3	K8	U6	H6
P8.4	F6	T6	J6
P8.5	E7	T7	-
P8.6	G6	M8	-
P8.7	H6	K9	-
P9.0	L14	F10	A14
P9.1	M13	F11	C13
P9.2	M14	E12	B13
P9.3	N13	G9	A13
P10.0	B15	T16	-
P10.1	A13	L12	-
P10.2	C15	M15	-
P10.3	A14	P16	-
P10.4	D14	T17	-
P10.5	B14	L13	-
P10.6	D15	P17	-
P10.7	C14	M17	-
P11.0	E14	L16	-
P11.1	E11	K16	-
P11.2	E15	L11	-

(table continues...)



Table 9 (continued) Packages and pin information

Pin	Packages		
	BGA-220	eWLB-235	WLB-154
P11.3	E10	K11	-
P11.4	F14	K12	-
P11.5	F9	J10	-
P11.6	F13	K13	-
P11.7	F10	K15	-
P12.0	H5	P4	G4
P12.1	D5	R4	F5
P12.2	G5	T3	F6
P12.3	E5	U3	F7
P12.4	F4	U2	F8
P12.5	F5	R3	F9
P13.0 <sup>J</sup>	G8	H10	G14
P13.1	G9	J15	J14
P13.2	G10	K17	F14
P13.3	F15	H17	K14
P13.4	G11	H11	K13
P13.5 <sup>J</sup>	G14	H12	E14
P13.6	H11	H16	-
P13.7	H15	H15	-
P14.0 <sup>J</sup>	H10	G12	-
P14.1	H13	G13	-
P14.2	H9	G14	-
P14.3	K15	G16	G13
P14.4	J9	G15	J13
P14.5 <sup>J</sup>	J15	J9	-
P14.6	J10	H9	-
P14.7	J14	F12	-
P15.0	L15	G11	C14
P15.1	K13	G10	B14
P15.2	M15	E13	G12
P15.3	K9	E15	D13
P15.4	N15	E14	-
P15.5	K10	D17	-
P15.6	P15	B17	-
P15.7	K11	C16	-

(table continues...)

Table 9 (continued) Packages and pin information

Pin	Packages		
	BGA-220	eWLB-235	WLB-154
P16.0	M11	B11	J12
P16.1	R13	A10	H11
P16.2	N11	B10	A12
P16.3	L11	C10	G11
P16.4	P11	F9	F11
P16.5	L10	G8	E11
P16.6	R11	F8	D11
P16.7	M10	E9	A11
P17.0	M9	E8	G10
P17.1	R9	G7	F10
P17.2	R8	E7	E10
P17.3	P9	B8	E9
P17.4	P8	C8	D10
P17.5	N9	A8	D9
P17.6	N8	C7	C10
P17.7	L9	D7	-
P18.0 <sup>J</sup>	G7	R9	H7
P18.1 <sup>J</sup>	H8	T9	J7
P19.0 <sup>J</sup>	B6	U8	G8
P19.1 <sup>J</sup>	F8	T10	H8
P20.0	P14	B15	-
P20.1	M12	A16	C12
P20.2	R15	B14	-
P20.3	N12	C14	-
P20.4	R14	A14	-
P20.5	P12	A12	-
P20.6	P13	B12	-
P20.7	R12	C12	-
P21.0	J5	T2	F4
P21.1	E4	T1	E6
P21.2	K7	R2	E5
P21.3	D4	L8	E4
P21.4	K6	K8	-
P21.5	C5	M5	-
P21.6	L7	M4	-
P21.7	C3	L7	D6

---

6 Pins

1) This pin is input-only

---

## 7 GPIO alternate functions

This section lists the alternate functions available at each GPIO, in multiple tables.

Table 10 shows a summary of connections to all of the pins in each port. It also shows how many pins are available in each port.

**Table 10** Ports, pins, and functions

Port	Pins available in the port	Functions
P0	0, 1	SMIF1 select, TCPWM, SCB
P1/SMIF0	0 - 7	SMIF0 data, TCPWM
P2	0	SMIF0 select, TCPWM
P3	0, 1	I3C, SD Host, TCPWM
P4/SMIF1	0 - 7	SMIF1 data, trace, TCPWM
P5	0	SMIF0 select, TCPWM
P6	0 - 7	SMIF0 select, SCB, SD host, SWJ, TCPWM
P7	0 - 7	SMIF0 select, fault, external clock, SWJ, SD host, trigger IO, TCPWM
P8	0 - 7	Hibernate wakeup, SWD, cal wave, SCB, PDM, trigger input, TCPWM
P9	0 - 3	SCB, PDM, TCPWM
P10	0 - 7	LPComp input, fault, SCB, Ethernet, TCPWM
P11	0 - 7	Smart I/O, SCB, TDM, trigger input, Ethernet, TCPWM
P12	0 - 5	SMIF1 select, SD host, TDM, TCPWM
P13	0 - 7	CTBL, Opamp output, DAC, SCB, PDM, Ethernet, TCPWM
P14	0 - 7	CTBL, Opamp output, DAC, SCB, PDM, TCPWM
P15	0 - 7	SARMUX, PTC, SCB, TCPWM
P16	0 - 7	CAN, SCB, Graphics, TCPWM
P17	0 - 7	Smart I/O, SCB, Graphics, Auto-analog output, TCPWM
P18	0, 1	WCO
P19	0, 1	ECO
P20	0 - 7	CAN, SCB, trace, Auto-analog output & observe, TCPWM
P21	0 - 7	SCB, TDM, SD host, TCPWM

**Note:** Pin availability varies across packages. Refer to Table 9 for details.

Table 11 shows how the HSIOM bitfield settings relate to the alternate function groups (“ACT #x”, “DS #x”, etc.), and the related power modes, for each GPIO.

**Table 11** HSIOM settings, functions, and ports

HSIOM bitfield setting	Function group	Functions	Ports
0	GPIO	None, basic GPIO	all

(table continues...)

**Table 11** (continued) HSIOM settings, functions, and ports

HSIOM bitfield setting	Function group	Functions	Ports
2 - 7	not used	-	-
8	ACT #0	SMIF select	P0, P2, P5, P6, P7, P12, P21
9	ACT #1	TCPWM	All except P18 and P19
10	ACT #2	TCPWM	All except P18 and P19
11	ACT #3	fault	P7, P10
12 - 13	not used	-	-
14	DS #2	SCB 0 (SPI only)	P8
15	DS #3	SCB 0 (I <sup>2</sup> C only)	P8
16	ACT #4	SCB	P0, P21
		External clock	P7
		CAN	P16, P20
17	ACT #5	TDM	P11
		SCB	P21
18	ACT #6	SCB	P6, P7, P9, P10, P11, P13, P14, P15, P16, P17, P20, P21
19	ACT #7	SCB	P6, P9, P10, P11, P16, P17
		TDM	P12, P21
20	ACT #8	SCB	P6, P9, P10, P11, P13, P14, P15, P16, P17
21	ACT #9	PDM	P8, P9, P13, P14
22	ACT #10	Trigger IO	P7, P8, P11
23	ACT #11	Trigger IO	P7, P8, P11
24	not used	-	-
25	ACT #13	Graphics	P16.1
26	ACT #14	SD host	P3.0, P6.0
		Graphics	P16, P17
27	ACT #15	I3C	P3
		Trace	P20
		SD host	P6, P7, P12, P21
		Graphics	P16
		Ethernet	P10, P11, P13
28	DS #4	Auto-analog data out	P17, P20
29	DS #5	SWJ	P6, P7
		Auto-analog observe	P20
30 - 31	not used	-	-

7 GPIO alternate functions

Table 12 and Table 13 list the GPIO alternate functions in detail.

**Table 12 GPIO alternate functions and HSIOM routes**

GPIO	Alternate functions and HSIOM routes			
P0.0	smif[1].smif0_spihb_select1	ACT #0	tcpwm.line0+	ACT #1
	tcpwm.line256+	ACT #2	scb3.spi.select0	ACT #4
P0.1	smif[1].smif0_spihb_select2	ACT #0	tcpwm.line0-	ACT #1
	tcpwm.line256-	ACT #2		
P1.0/SMIF0.0	tcpwm.line1+	ACT #1	tcpwm.line257+	ACT #2
P1.1/SMIF0.1	tcpwm.line1-	ACT #1	tcpwm.line257-	ACT #2
P1.2/SMIF0.2	tcpwm.line2+	ACT #1	tcpwm.line258+	ACT #2
P1.3/SMIF0.3	tcpwm.line2-	ACT #1	tcpwm.line258-	ACT #2
P1.4/SMIF0.4	tcpwm.line3+	ACT #1	tcpwm.line259+	ACT #2
P1.5/SMIF0.5	tcpwm.line3-	ACT #1	tcpwm.line259-	ACT #2
P1.6/SMIF0.6	tcpwm.line4+	ACT #1	tcpwm.line260+	ACT #2
P1.7/SMIF0.7	tcpwm.line4-	ACT #1	tcpwm.line260-	ACT #2
P2.0	smif[0].smif0_spihb_select1	ACT #0	tcpwm.line5+	ACT #1
	tcpwm.line261+	ACT #2		
P3.0	tcpwm.line5-	ACT #1	tcpwm.line261-	ACT #2
	sdhost1.card_mech_write_prot:1	ACT #14	i3c.scl	ACT #15
P3.1	tcpwm.line6+	ACT #1	tcpwm.line262+	ACT #2
	i3c.sda	ACT #15		
P4.0/SMIF1.0	tcpwm.line6-	ACT #1	tcpwm.line262-	ACT #2
P4.1/SMIF1.1	tcpwm.line7+	ACT #1	tcpwm.line263+	ACT #2
P4.2/SMIF1.2	tcpwm.line7-	ACT #1	tcpwm.line263-	ACT #2
P4.3/SMIF1.3	tcpwm.line0+	ACT #1	tcpwm.line264+	ACT #2
	trace.clock	ACT #15		
P4.4/SMIF1.4	tcpwm.line0-	ACT #1	tcpwm.line264-	ACT #2
	trace.data0	ACT #15		
P4.5/SMIF1.5	tcpwm.line1+	ACT #1	tcpwm.line265+	ACT #2
	trace.data1	ACT #15		
P4.6/SMIF1.6	tcpwm.line1-	ACT #1	tcpwm.line265-	ACT #2
	trace.data2	ACT #15		
P4.7/SMIF1.7	tcpwm.line2+	ACT #1	tcpwm.line266+	ACT #2
	trace.data3	ACT #15		
P5.0	smif[0].smif0_spihb_select0	ACT #0	tcpwm.line2-	ACT #1

(table continues...)

7 GPIO alternate functions

**Table 12 (continued) GPIO alternate functions and HSIOM routes**

GPIO	Alternate functions and HSIOM routes			
	tcpwm.line266-	ACT #2		
P6.0	tcpwm.line3+	ACT #1	tcpwm.line267+	ACT #2
	sdhost1.card_mech_write_prot:0	ACT #14	swj.tdo	DS #5
P6.1	tcpwm.line3-	ACT #1	tcpwm.line267-	ACT #2
	sdhost1.led_ctrl	ACT #15	swj.tdi	DS #5
P6.2	tcpwm.line4+	ACT #1	tcpwm.line268+	ACT #2
	sdhost1.card_if_pwr_en	ACT #15	swj.swdio/tms	DS #5
P6.3	tcpwm.line4-	ACT #1	tcpwm.line268-	ACT #2
	scb2.spi.select1	ACT #6	sdhost1.io_volt_sel	ACT #15
	swj.swclk/tclk	DS #5		
P6.4	tcpwm.line5+	ACT #1	tcpwm.line269+	ACT #2
	scb2.spi.miso	ACT #6	scb2.uart.cts	ACT #8
	sdhost1.card_dat_7to4_0	ACT #15		
P6.5	tcpwm.line5-	ACT #1	tcpwm.line269-	ACT #2
	scb2.spi.clk	ACT #6	scb2.i2c.scl	ACT #7
	scb2.uart.rx	ACT #8	sdhost1.card_dat_7to4_1	ACT #15
P6.6	tcpwm.line6+	ACT #1	tcpwm.line270+	ACT #2
	scb2.spi.select0	ACT #6	scb2.uart.rts	ACT #8
	sdhost1.card_dat_7to4_2	ACT #15		
P6.7	smif[0].smif0_spihb_select2	ACT #0	tcpwm.line6-	ACT #1
	tcpwm.line270-	ACT #2	scb2.spi.mosi	ACT #6
	scb2.i2c.sda	ACT #7	scb2.uart.tx	ACT #8
	sdhost1.card_dat_7to4_3	ACT #15		
P7.0	smif[0].smif0_spihb_select3	ACT #0	tcpwm.line7+	ACT #1
	tcpwm.line271+	ACT #2	m33syscpuss.fault0	ACT #3
	trig0.out0	ACT #10	trig1.out0	ACT #11
	sdhost1.card_cmd	ACT #15		
P7.1	tcpwm.line7-	ACT #1	tcpwm.line271-	ACT #2
	m33syscpuss.fault1	ACT #3	trig0.out1	ACT #10
	trig1.out1	ACT #11	sdhost1.clk_card	ACT #15
P7.2	tcpwm.line0+	ACT #1	tcpwm.line272+	ACT #2
	sdhost1.card_emmc_reset_n	ACT #15	swj.trstn	DS #5
P7.3	tcpwm.line0-	ACT #1	tcpwm.line272-	ACT #2

(table continues...)

**Table 12 (continued) GPIO alternate functions and HSIOM routes**

GPIO	Alternate functions and HSIOM routes			
	sdhost1.card_dat_3to0_0	ACT #15		
P7.4	tcpwm.line1+	ACT #1	tcpwm.line273+	ACT #2
	ext_clk	ACT #4	sdhost1.card_detect_n	ACT #15
P7.5	tcpwm.line1-	ACT #1	tcpwm.line273-	ACT #2
	trig0.in4	ACT #10	trig1.in4	ACT #11
	sdhost1.card_dat_3to0_1	ACT #15		
P7.6	tcpwm.line2+	ACT #1	tcpwm.line274+	ACT #2
	trig0.in5	ACT #10	trig1.in5	ACT #11
	sdhost1.card_dat_3to0_2	ACT #15		
P7.7	tcpwm.line2-	ACT #1	tcpwm.line274-	ACT #2
	trig0.in6	ACT #10	trig1.in6	ACT #11
	sdhost1.card_dat_3to0_3	ACT #15		
P8.0	tcpwm.line3+	ACT #1	tcpwm.line275+	ACT #2
	scb0.spi.clk	DS #2	scb0.i2c.scl	DS #3
	trig0.in7	ACT #10	trig1.in7	ACT #11
	m0seccpuss.m0sec_swd	DS #5		
P8.1	tcpwm.line3-	ACT #1	tcpwm.line275-	ACT #2
	scb0.spi.mosi	DS #2	scb0.i2c.sda	DS #3
	m0seccpuss.clk_m0sec_swd	DS #5		
P8.2	tcpwm.line4+	ACT #1	tcpwm.line276+	ACT #2
	scb0.spi.select0	DS #2	pdm2.clk	ACT #9
P8.3	hibernate_wakeup	fixed	tcpwm.line4-	ACT #1
	tcpwm.line276-	ACT #2	scb0.spi.select1	DS #2
P8.4	tcpwm.line5+	ACT #1	tcpwm.line277+	ACT #2
	scb0.spi.miso	DS #2	cal_wave	DS #3
	pdm2.data	ACT #9		
P8.5	tcpwm.line5-	ACT #1	tcpwm.line277-	ACT #2
	pdm3.clk	ACT #9		
P8.6	tcpwm.line6+	ACT #1	tcpwm.line278+	ACT #2
	pdm3.data	ACT #9		
P8.7	hibernate_wakeup	fixed	tcpwm.line6-	ACT #1
	tcpwm.line278-	ACT #2		
P9.0	tcpwm.line7+	ACT #1	tcpwm.line279-	ACT #2

**(table continues...)**



**Table 12 (continued) GPIO alternate functions and HSIOM routes**

GPIO	Alternate functions and HSIOM routes			
	scb1.spi.select0	ACT #6	scb1.uart.rts	ACT #8
	pdm5.clk	ACT #9		
P9.1	tcpwm.line0+	ACT #1	tcpwm.line256-	ACT #2
	scb1.spi.miso	ACT #6	scb1.uart.cts	ACT #8
	pdm5.data	ACT #9		
P9.2	tcpwm.line7-	ACT #1	tcpwm.line279+	ACT #2
	scb1.spi.mosi	ACT #6	scb1.i2c.sda	ACT #7
	scb1.uart.tx	ACT #8	pdm4.clk	ACT #9
P9.3	tcpwm.line0-	ACT #1	tcpwm.line256+	ACT #2
	scb1.spi.clk	ACT #6	scb1.i2c.scl	ACT #7
	scb1.uart.rx	ACT #8	pdm4.data	ACT #9
P10.0	tcpwm.line1+	ACT #1	tcpwm.line257+	ACT #2
	m33syscpuss.fault0	ACT #3	scb4.i2c.scl	ACT #7
	scb4.uart.rx	ACT #8	eth.txd3	ACT #15
P10.1	tcpwm.line1-	ACT #1	tcpwm.line257-	ACT #2
	m33syscpuss.fault1	ACT #3	scb4.spi.clk	ACT #6
	scb4.i2c.sda	ACT #7	scb4.uart.tx	ACT #8
	eth.rx.clk	ACT #15		
P10.2	tcpwm.line2+	ACT #1	tcpwm.line258+	ACT #2
	lpcomp.dsi_comp1	DS #3	scb4.spi.mosi	ACT #6
	scb4.uart.cts	ACT #8	eth.tx.er	ACT #15
P10.3	tcpwm.line2-	ACT #1	tcpwm.line258-	ACT #2
	lpcomp.dsi_comp0	DS #3	scb4.spi.miso	ACT #6
	scb4.uart.rts	ACT #8	eth.tsu_timer_cmp_val	ACT #15
P10.4	lpcomp0.in+	fixed	tcpwm.line3+	ACT #1
	tcpwm.line259+	ACT #2	scb4.spi.select0	ACT #6
	eth.rxd3	ACT #15		
P10.5	lpcomp0.in-	fixed	tcpwm.line3-	ACT #1
	tcpwm.line259-	ACT #2	scb4.spi.select1	ACT #6
	eth.rxctl	ACT #15		
P10.6	lpcomp1.in+	fixed	tcpwm.line4+	ACT #1
	tcpwm.line260+	ACT #2	eth.rxd0	ACT #15
P10.7	lpcomp1.in-	fixed	tcpwm.line4-	ACT #1

**(table continues...)**

**Table 12 (continued) GPIO alternate functions and HSIOM routes**

GPIO	Alternate functions and HSIOM routes			
P11.0	tcpwm.line260-	ACT #2	eth.rxd1	ACT #15
	smartio.io0	fixed	tcpwm.line5+	ACT #1
	tcpwm.line261+	ACT #2	tdm1.tx.sck	ACT #5
	scb6.spi.clk	ACT #6	scb6.i2c.scl	ACT #7
	scb6.uart.rx	ACT #8	trig0.in0	ACT #10
P11.1	trig1.in0	ACT #11	eth.rxd2	ACT #15
	smartio.io1	fixed	tcpwm.line5-	ACT #1
	tcpwm.line261-	ACT #2	tdm1.tx.fsync	ACT #5
	scb6.spi.mosi	ACT #6	scb6.i2c.sda	ACT #7
	scb6.uart.tx	ACT #8	trig0.in1	ACT #10
P11.2	trig1.in1	ACT #11	eth.rx.er	ACT #15
	smartio.io2	fixed	tcpwm.line6+	ACT #1
	tcpwm.line262+	ACT #2	tdm1.tx.sd	ACT #5
	scb6.spi.miso	ACT #6	scb6.uart.cts	ACT #8
	trig0.in2	ACT #10	trig1.in2	ACT #11
P11.3	eth.txd0	ACT #15		
	smartio.io3	fixed	tcpwm.line6-	ACT #1
	tcpwm.line262-	ACT #2	tdm1.rx.mck	ACT #5
	scb6.spi.select0	ACT #6	scb6.uart.rts	ACT #8
	trig0.in3	ACT #10	trig1.in3	ACT #11
P11.4	eth.txd1	ACT #15		
	smartio.io4	fixed	tcpwm.line7+	ACT #1
	tcpwm.line263+	ACT #2	tdm1.rx.sck	ACT #5
P11.5	scb6.spi.select1	ACT #6	eth.txctl	ACT #15
	smartio.io5	fixed	tcpwm.line7-	ACT #1
	tcpwm.line263-	ACT #2	tdm1.rx.fsync	ACT #5
P11.6	eth.tx.clk	ACT #15		
	smartio.io6	fixed	tcpwm.line0+	ACT #1
	tcpwm.line264+	ACT #2	tdm1.rx.sd	ACT #5
P11.7	eth.txd2	ACT #15		
	smartio.io7	fixed	tcpwm.line0-	ACT #1
	tcpwm.line264-	ACT #2	tdm1.tx.mck	ACT #5
	eth.ref.clk	ACT #15		

(table continues...)

**Table 12 (continued) GPIO alternate functions and HSIOM routes**

GPIO	Alternate functions and HSIOM routes			
P12.0	tcpwm.line1+	ACT #1	tcpwm.line265+	ACT #2
	sdhost0.clk_card	ACT #15		
P12.1	tcpwm.line1-	ACT #1	tcpwm.line265-	ACT #2
	sdhost0.card_dat_3to0_0	ACT #15		
P12.2	tcpwm.line2+	ACT #1	tcpwm.line266+	ACT #2
	sdhost0.card_dat_3to0_1	ACT #15		
P12.3	smif[1].smif0_spihb_select3	ACT #0	tcpwm.line2-	ACT #1
	tcpwm.line266-	ACT #2	tdm0.tx.fsync	ACT #7
P12.4	tcpwm.line3+	ACT #1	tcpwm.line267+	ACT #2
	sdhost0.card_dat_3to0_2	ACT #15		
P12.5	tcpwm.line3-	ACT #1	tcpwm.line267-	ACT #2
	sdhost0.card_dat_3to0_3	ACT #15		
P13.0	aanalog.ctb1.0	fixed		
P13.1	aanalog.ctb1.1	fixed	tcpwm.line4+	ACT #1
	tcpwm.line268+	ACT #2	scb7.spi.clk	ACT #6
	scb7.i2c.scl	ACT #7	scb7.uart.rx	ACT #8
	eth.mdc	ACT #15		
P13.2	aanalog.ctb1.2	fixed	aanalog.ctb1.opamp0.out	fixed
	tcpwm.line4-	ACT #1	tcpwm.line268-	ACT #2
	scb7.spi.mosi	ACT #6	scb7.i2c.sda	ACT #7
	scb7.uart.tx	ACT #8	pdm1.clk	ACT #9
P13.3	aanalog.ctb1.3	fixed	aanalog.ctb1.opamp1.out	fixed
	tcpwm.line5+	ACT #1	tcpwm.line269+	ACT #2
	scb7.spi.miso	ACT #6	scb7.uart.cts	ACT #8
	pdm1.data	ACT #9		
P13.4	aanalog.ctb1.4	fixed	tcpwm.line5-	ACT #1
	tcpwm.line269-	ACT #2	scb7.spi.select0	ACT #6
	scb7.uart.rts	ACT #8		
P13.5	aanalog.ctb1.5	fixed		
P13.6	aanalog.ctb1.6	fixed	aanalog.dac1	fixed
	tcpwm.line6+	ACT #1	tcpwm.line270+	ACT #2
	scb7.spi.select1	ACT #6	eth.mdio	ACT #15
P13.7	aanalog.ctb1.7	fixed	tcpwm.line6-	ACT #1

**(table continues...)**

**Table 12 (continued) GPIO alternate functions and HSIOM routes**

GPIO	Alternate functions and HSIOM routes			
	tcpwm.line270-	ACT #2	scb8.spi.miso	ACT #6
	scb8.uart.cts	ACT #8		
P14.0	aanalog.ctb0.0	fixed		
P14.1	aanalog.ctb0.1	fixed	tcpwm.line7+	ACT #1
	tcpwm.line271+	ACT #2	pdm0.clk	ACT #9
P14.2	aanalog.ctb0.2	fixed	aanalog.ctb0.opamp0.out	fixed
	tcpwm.line7-	ACT #1	tcpwm.line271-	ACT #2
P14.3	aanalog.ctb0.3	fixed	aanalog.ctb0.opamp1.out	fixed
	tcpwm.line0+	ACT #1	tcpwm.line272+	ACT #2
	scb8.spi.mosi	ACT #6	scb8.i2c.sda	ACT #7
	scb8.uart.tx	ACT #8		
P14.4	aanalog.ctb0.4	fixed	tcpwm.line0-	ACT #1
	tcpwm.line272-	ACT #2	scb8.spi.clk	ACT #6
	scb8.i2c.scl	ACT #7	scb8.uart.rx	ACT #8
	pdm0.data	ACT #9		
P14.5	aanalog.ctb0.5	fixed		
P14.6	aanalog.ctb0.6	fixed	aanalog.dac0	fixed
	tcpwm.line1+	ACT #1	tcpwm.line273+	ACT #2
	scb8.spi.select1	ACT #6		
P14.7	aanalog.ctb0.7	fixed	tcpwm.line1-	ACT #1
	tcpwm.line273-	ACT #2	scb8.spi.select0	ACT #6
	scb8.uart.rts	ACT #8		
P15.0	aanalog.ptcomp0	fixed	aanalog.sar0	fixed
	tcpwm.line2+	ACT #1	tcpwm.line274+	ACT #2
	scb9.spi.clk	ACT #6	scb9.i2c.scl	ACT #7
	scb9.uart.rx	ACT #8		
P15.1	aanalog.ptcomp1	fixed	aanalog.sar1	fixed
	tcpwm.line2-	ACT #1	tcpwm.line274-	ACT #2
	scb9.spi.mosi	ACT #6	scb9.i2c.sda	ACT #7
	scb9.uart.tx	ACT #8		
P15.2	aanalog.sar2	fixed	aanalog.ptcomp2	fixed
	tcpwm.line3+	ACT #1	tcpwm.line275+	ACT #2
	scb9.spi.miso	ACT #6	scb9.uart.cts	ACT #8

(table continues...)

**Table 12 (continued) GPIO alternate functions and HSIOM routes**

GPIO	Alternate functions and HSIOM routes			
P15.3	aanalog.sar3	fixed	aanalog.ptcomp3	fixed
	tcpwm.line3-	ACT #1	tcpwm.line275-	ACT #2
	scb9.spi.select0	ACT #6	scb9.uart.rts	ACT #8
P15.4	aanalog.sar4	fixed	aanalog.ptcomp4	fixed
	tcpwm.line4+	ACT #1	tcpwm.line276+	ACT #2
	scb9.spi.select1	ACT #6		
P15.5	aanalog.sar5	fixed	aanalog.ptcomp5	fixed
	tcpwm.line4-	ACT #1	tcpwm.line276-	ACT #2
P15.6	aanalog.sar6	fixed	aanalog.ptcomp6	fixed
	tcpwm.line5+	ACT #1	tcpwm.line277+	ACT #2
P15.7	aanalog.sar7	fixed	aanalog.ptcomp7	fixed
	tcpwm.line5-	ACT #1	tcpwm.line277-	ACT #2
P16.0	tcpwm.line0+	ACT #1	tcpwm.line256+	ACT #2
	can0.rx	ACT #4	scb10.spi.clk	ACT #6
	scb10.i2c.scl	ACT #7	scb10.uart.rx	ACT #8
	gfx.dbi.csx	ACT #14	gfx.spi.csx	ACT #15
P16.1	tcpwm.line1+	ACT #1	tcpwm.line257+	ACT #2
	can0.tx	ACT #4	scb10.spi.mosi	ACT #6
	scb10.i2c.sda	ACT #7	scb10.uart.tx	ACT #8
	gfx.dbi.wrx	ACT #13	gfx.dbi.e	ACT #14
	gfx.spi.scl	ACT #15		
P16.2	tcpwm.line2+	ACT #1	tcpwm.line258+	ACT #2
	can1.rx	ACT #4	scb10.spi.miso	ACT #6
	scb10.uart.cts	ACT #8	gfx.dbi.dcx	ACT #14
	gfx.spi.dout	ACT #15		
P16.3	tcpwm.line3+	ACT #1	tcpwm.line259+	ACT #2
	can1.tx	ACT #4	scb10.spi.select0	ACT #6
	scb10.uart.rts	ACT #8	gfx.dbi.d0	ACT #14
	gfx.spi.dcx	ACT #15		
P16.4	tcpwm.line4+	ACT #1	tcpwm.line260+	ACT #2
	scb10.spi.select1	ACT #6	gfx.dbi.d1	ACT #14
P16.5	tcpwm.line5+	ACT #1	tcpwm.line261+	ACT #2
	scb5.spi.miso	ACT #6	scb5.uart.cts	ACT #8

(table continues...)

7 GPIO alternate functions

**Table 12 (continued) GPIO alternate functions and HSIOM routes**

GPIO	Alternate functions and HSIOM routes			
	gfx.dbi.d2	ACT #14		
P16.6	tcpwm.line6+	ACT #1	tcpwm.line278+	ACT #2
	scb5.spi.select0	ACT #6	scb5.uart.rts	ACT #8
	gfx.dbi.d3	ACT #14		
P16.7	tcpwm.line7+	ACT #1	tcpwm.line279+	ACT #2
	scb5.spi.select1	ACT #6	gfx.dbi.d4	ACT #14
P17.0	smartio.io0	fixed	tcpwm.line0-	ACT #1
	tcpwm.line256-	ACT #2	scb5.spi.clk	ACT #6
	scb5.i2c.scl	ACT #7	scb5.uart.rx	ACT #8
	gfx.dbi.d5	ACT #14		
P17.1	smartio.io1	fixed	tcpwm.line1-	ACT #1
	tcpwm.line257-	ACT #2	scb5.spi.mosi	ACT #6
	scb5.i2c.sda	ACT #7	scb5.uart.tx	ACT #8
	gfx.dbi.d6	ACT #14		
P17.2	smartio.io2	fixed	tcpwm.line2-	ACT #1
	tcpwm.line258-	ACT #2	scb11.spi.clk	ACT #6
	scb11.i2c.scl	ACT #7	scb11.uart.rx	ACT #8
	gfx.dbi.d7	ACT #14		
P17.3	smartio.io3	fixed	tcpwm.line3-	ACT #1
	tcpwm.line259-	ACT #2	scb11.spi.mosi	ACT #6
	scb11.i2c.sda	ACT #7	scb11.uart.tx	ACT #8
P17.4	smartio.io4	fixed	tcpwm.line4-	ACT #1
	tcpwm.line260-	ACT #2	aanalog.gpio_out0	DS #4
P17.5	smartio.io5	fixed	tcpwm.line5-	ACT #1
	tcpwm.line261-	ACT #2	scb11.spi.miso	ACT #6
	scb11.uart.cts	ACT #8	aanalog.gpio_out1	DS #4
P17.6	smartio.io6	fixed	tcpwm.line6-	ACT #1
	tcpwm.line278-	ACT #2	scb11.spi.select0	ACT #6
	scb11.uart.rts	ACT #8	aanalog.gpio_out2	DS #4
P17.7	smartio.io7	fixed	tcpwm.line7-	ACT #1
	tcpwm.line279-	ACT #2	scb11.spi.select1	ACT #6
	aanalog.gpio_out3	DS #4		
P18.0	wco_out	fixed		

(table continues...)

**Table 12 (continued) GPIO alternate functions and HSIOM routes**

GPIO	Alternate functions and HSIOM routes			
P18.1	wco_in	fixed		
P19.0	eco_in	fixed		
P19.1	eco_out	fixed		
P20.0	tcpwm.line7+	ACT #1	tcpwm.line263-	ACT #2
	scb1.spi.select1	ACT #6	trace.clock	ACT #15
P20.1	tcpwm.line0+	ACT #1	tcpwm.line264-	ACT #2
	trace.data3	ACT #15		
P20.2	tcpwm.line1+	ACT #1	tcpwm.line265-	ACT #2
	trace.data2	ACT #15		
P20.3	tcpwm.line2+	ACT #1	tcpwm.line266-	ACT #2
	trace.data1	ACT #15		
P20.4	tcpwm.line7-	ACT #1	tcpwm.line263+	ACT #2
	can0.rx	ACT #4	trace.data0	ACT #15
	aanalog.gpio_out0	DS #4		
P20.5	tcpwm.line0-	ACT #1	tcpwm.line264+	ACT #2
	can0.tx	ACT #4	aanalog.gpio_out1	DS #4
P20.6	tcpwm.line1-	ACT #1	tcpwm.line265+	ACT #2
	can1.rx	ACT #4	aanalog.gpio_out2	DS #4
P20.7	tcpwm.line2-	ACT #1	tcpwm.line266+	ACT #2
	can1.tx	ACT #4	aanalog.gpio_out3	DS #4
P21.0	tcpwm.line3+	ACT #1	tcpwm.line267+	ACT #2
	sdhost0.card_cmd	ACT #15		
P21.1	tcpwm.line3-	ACT #1	tcpwm.line267-	ACT #2
	tdm0.tx.sd	ACT #7	sdhost0.card_detect_n	ACT #15
P21.2	tcpwm.line4+	ACT #1	tcpwm.line268+	ACT #2
	tdm0.tx.sck	ACT #7	sdhost0.card_mech_write_prot	ACT #15
P21.3	tcpwm.line4-	ACT #1	tcpwm.line268-	ACT #2
	tdm0.tx.mck	ACT #7	sdhost0.io_volt_sel	ACT #15
P21.4	tcpwm.line5+	ACT #1	tcpwm.line269+	ACT #2
	scb3.spi.miso	ACT #4	scb3.uart.cts	ACT #6
	tdm0.rx.sd	ACT #7	sdhost0.card_if_pwr_en	ACT #15
P21.5	tcpwm.line5-	ACT #1	tcpwm.line269-	ACT #2
	scb3.spi.mosi	ACT #4	scb3.i2c.sda	ACT #5

(table continues...)

**Table 12 (continued) GPIO alternate functions and HSIOM routes**

GPIO	Alternate functions and HSIOM routes			
	scb3.uart.tx	ACT #6	tdm0.rx.fsync	ACT #7
P21.6	tcpwm.line6+	ACT #1	tcpwm.line270+	ACT #2
	scb3.spi.clk	ACT #4	scb3.i2c.scl	ACT #5
	scb3.uart.rx	ACT #6	tdm0.rx.sck	ACT #7
P21.7	smif[1].smif0_spihb_select0	ACT #0	tcpwm.line6-	ACT #1
	tcpwm.line270-	ACT #2	scb3.spi.select1	ACT #4
	scb3.uart.rts	ACT #6	tdm0.rx.mck	ACT #7

**Table 13 GPIO alternate functions**

Function	GPIOs	Function	GPIOs	Function	GPIOs
aanalog.ctb0.0	P14.0	aanalog.ctb0.1	P14.1	aanalog.ctb0.2	P14.2
aanalog.ctb0.3	P14.3	aanalog.ctb0.4	P14.4	aanalog.ctb0.5	P14.5
aanalog.ctb0.6	P14.6	aanalog.ctb0.7	P14.7	aanalog.ctb0.opa mp0.out	P14.2
aanalog.ctb0.opa mp1.out	P14.3	aanalog.ctb1.0	P13.0	aanalog.ctb1.1	P13.1
aanalog.ctb1.2	P13.2	aanalog.ctb1.3	P13.3	aanalog.ctb1.4	P13.4
aanalog.ctb1.5	P13.5	aanalog.ctb1.6	P13.6	aanalog.ctb1.7	P13.7
aanalog.ctb1.opa mp0.out	P13.2	aanalog.ctb1.opa mp1.out	P13.3	aanalog.dac0	P14.6
aanalog.dac1	P13.6	aanalog.gpio_out 0	P17.4, P20.4	aanalog.gpio_out 1	P17.5, P20.5
aanalog.gpio_out 2	P17.6, P20.6	aanalog.gpio_out 3	P17.7, P20.7	aanalog.ptcomp0	P15.0
aanalog.ptcomp1	P15.1	aanalog.ptcomp2	P15.2	aanalog.ptcomp3	P15.3
aanalog.ptcomp4	P15.4	aanalog.ptcomp5	P15.5	aanalog.ptcomp6	P15.6
aanalog.ptcomp7	P15.7	aanalog.sar0	P15.0	aanalog.sar1	P15.1
aanalog.sar2	P15.2	aanalog.sar3	P15.3	aanalog.sar4	P15.4
aanalog.sar5	P15.5	aanalog.sar6	P15.6	aanalog.sar7	P15.7
cal_wave	P8.4	can0.rx	P16.0, P20.4	can0.tx	P16.1, P20.5
can1.rx	P16.2, P20.6	can1.tx	P16.3, P20.7	eco_in	P19.0
eco_out	P19.1	eth.mdc	P13.1	eth.mdio	P13.6
eth.ref.clk	P11.7	eth.rx.clk	P10.1	eth.rx.ctl	P10.5
eth.rx.er	P11.1	eth.rxd0	P10.6	eth.rxd1	P10.7
eth.rxd2	P11.0	eth.rxd3	P10.4	eth.tsu_timer_cm p_val	P10.3

(table continues...)



7 GPIO alternate functions

**Table 13** (continued) GPIO alternate functions

Function	GPIOs	Function	GPIOs	Function	GPIOs
eth.tx.clk	P11.5	eth.tx.ctl	P11.4	eth.tx.er	P10.2
eth.txd0	P11.2	eth.txd1	P11.3	eth.txd2	P11.6
eth.txd3	P10.0	ext_clk	P7.4	gfx.dbi.csx	P16.0
gfx.dbi.d0	P16.3	gfx.dbi.d1	P16.4	gfx.dbi.d2	P16.5
gfx.dbi.d3	P16.6	gfx.dbi.d4	P16.7	gfx.dbi.d5	P17.0
gfx.dbi.d6	P17.1	gfx.dbi.d7	P17.2	gfx.dbi.dcx	P16.2
gfx.dbi.e	P16.1	gfx.dbi.wrx	P16.1	gfx.spi.csx	P16.0
gfx.spi.dcx	P16.3	gfx.spi.dout	P16.2	gfx.spi.scl	P16.1
hibernate_wakeup	P8.3, P8.7	i3c.scl	P3.0	i3c.sda	P3.1
lpcomp.dsi_comp0	P10.3	lpcomp.dsi_comp1	P10.2	lpcomp0.in+	P10.4
lpcomp0.in-	P10.5	lpcomp1.in+	P10.6	lpcomp1.in-	P10.7
m0seccpuss.clk_m0sec_swd	P8.1	m0seccpuss.m0sec_swd	P8.0	m33syscpuss.fault0	P7.0, P10.0
m33syscpuss.fault1	P7.1, P10.1	pdm0.clk	P14.1	pdm0.data	P14.4
pdm1.clk	P13.2	pdm1.data	P13.3	pdm2.clk	P8.2
pdm2.data	P8.4	pdm3.clk	P8.5	pdm3.data	P8.6
pdm4.clk	P9.2	pdm4.data	P9.3	pdm5.clk	P9.0
pdm5.data	P9.1	scb0.i2c.scl	P8.0	scb0.i2c.sda	P8.1
scb0.spi.clk	P8.0	scb0.spi.miso	P8.4	scb0.spi.mosi	P8.1
scb0.spi.select0	P8.2	scb0.spi.select1	P8.3	scb1.i2c.scl	P9.3
scb1.i2c.sda	P9.2	scb1.spi.clk	P9.3	scb1.spi.miso	P9.1
scb1.spi.mosi	P9.2	scb1.spi.select0	P9.0	scb1.spi.select1	P20.0
scb1.uart.cts	P9.1	scb1.uart.rts	P9.0	scb1.uart.rx	P9.3
scb1.uart.tx	P9.2	scb10.i2c.scl	P16.0	scb10.i2c.sda	P16.1
scb10.spi.clk	P16.0	scb10.spi.miso	P16.2	scb10.spi.mosi	P16.1
scb10.spi.select0	P16.3	scb10.spi.select1	P16.4	scb10.uart.cts	P16.2
scb10.uart.rts	P16.3	scb10.uart.rx	P16.0	scb10.uart.tx	P16.1
scb11.i2c.scl	P17.2	scb11.i2c.sda	P17.3	scb11.spi.clk	P17.2
scb11.spi.miso	P17.5	scb11.spi.mosi	P17.3	scb11.spi.select0	P17.6
scb11.spi.select1	P17.7	scb11.uart.cts	P17.5	scb11.uart.rts	P17.6
scb11.uart.rx	P17.2	scb11.uart.tx	P17.3	scb2.i2c.scl	P6.5
scb2.i2c.sda	P6.7	scb2.spi.clk	P6.5	scb2.spi.miso	P6.4

(table continues...)

7 GPIO alternate functions

**Table 13** (continued) GPIO alternate functions

Function	GPIOs	Function	GPIOs	Function	GPIOs
scb2.spi.mosi	P6.7	scb2.spi.select0	P6.6	scb2.spi.select1	P6.3
scb2.uart.cts	P6.4	scb2.uart.rts	P6.6	scb2.uart.rx	P6.5
scb2.uart.tx	P6.7	scb3.i2c.scl	P21.6	scb3.i2c.sda	P21.5
scb3.spi.clk	P21.6	scb3.spi.miso	P21.4	scb3.spi.mosi	P21.5
scb3.spi.select0	P0.0	scb3.spi.select1	P21.7	scb3.uart.cts	P21.4
scb3.uart.rts	P21.7	scb3.uart.rx	P21.6	scb3.uart.tx	P21.5
scb4.i2c.scl	P10.0	scb4.i2c.sda	P10.1	scb4.spi.clk	P10.1
scb4.spi.miso	P10.3	scb4.spi.mosi	P10.2	scb4.spi.select0	P10.4
scb4.spi.select1	P10.5	scb4.uart.cts	P10.2	scb4.uart.rts	P10.3
scb4.uart.rx	P10.0	scb4.uart.tx	P10.1	scb5.i2c.scl	P17.0
scb5.i2c.sda	P17.1	scb5.spi.clk	P17.0	scb5.spi.miso	P16.5
scb5.spi.mosi	P17.1	scb5.spi.select0	P16.6	scb5.spi.select1	P16.7
scb5.uart.cts	P16.5	scb5.uart.rts	P16.6	scb5.uart.rx	P17.0
scb5.uart.tx	P17.1	scb6.i2c.scl	P11.0	scb6.i2c.sda	P11.1
scb6.spi.clk	P11.0	scb6.spi.miso	P11.2	scb6.spi.mosi	P11.1
scb6.spi.select0	P11.3	scb6.spi.select1	P11.4	scb6.uart.cts	P11.2
scb6.uart.rts	P11.3	scb6.uart.rx	P11.0	scb6.uart.tx	P11.1
scb7.i2c.scl	P13.1	scb7.i2c.sda	P13.2	scb7.spi.clk	P13.1
scb7.spi.miso	P13.3	scb7.spi.mosi	P13.2	scb7.spi.select0	P13.4
scb7.spi.select1	P13.6	scb7.uart.cts	P13.3	scb7.uart.rts	P13.4
scb7.uart.rx	P13.1	scb7.uart.tx	P13.2	scb8.i2c.scl	P14.4
scb8.i2c.sda	P14.3	scb8.spi.clk	P14.4	scb8.spi.miso	P13.7
scb8.spi.mosi	P14.3	scb8.spi.select0	P14.7	scb8.spi.select1	P14.6
scb8.uart.cts	P13.7	scb8.uart.rts	P14.7	scb8.uart.rx	P14.4
scb8.uart.tx	P14.3	scb9.i2c.scl	P15.0	scb9.i2c.sda	P15.1
scb9.spi.clk	P15.0	scb9.spi.miso	P15.2	scb9.spi.mosi	P15.1
scb9.spi.select0	P15.3	scb9.spi.select1	P15.4	scb9.uart.cts	P15.2
scb9.uart.rts	P15.3	scb9.uart.rx	P15.0	scb9.uart.tx	P15.1
sdhost0.card_cmd	P21.0	sdhost0.card_dat_3to0_0	P12.1	sdhost0.card_dat_3to0_1	P12.2
sdhost0.card_dat_3to0_2	P12.4	sdhost0.card_dat_3to0_3	P12.5	sdhost0.card_detect_n	P21.1
sdhost0.card_if_pwr_en	P21.4	sdhost0.card_mech_write_prot	P21.2	sdhost0.clk_card	P12.0

(table continues...)

7 GPIO alternate functions

**Table 13** (continued) GPIO alternate functions

Function	GPIOs	Function	GPIOs	Function	GPIOs
sdhost0.io_volt_sel	P21.3	sdhost1.card_cmd	P7.0	sdhost1.card_dat_3to0_0	P7.3
sdhost1.card_dat_3to0_1	P7.5	sdhost1.card_dat_3to0_2	P7.6	sdhost1.card_dat_3to0_3	P7.7
sdhost1.card_dat_7to4_0	P6.4	sdhost1.card_dat_7to4_1	P6.5	sdhost1.card_dat_7to4_2	P6.6
sdhost1.card_dat_7to4_3	P6.7	sdhost1.card_detect_n	P7.4	sdhost1.card_emmc_reset_n	P7.2
sdhost1.card_if_wr_en	P6.2	sdhost1.card_mech_write_prot:0	P6.0	sdhost1.card_mech_write_prot:1	P3.0
sdhost1.clk_card	P7.1	sdhost1.io_volt_sel	P6.3	sdhost1.led_ctrl	P6.1
smartio.io0	P11.0, P17.0	smartio.io1	P11.1, P17.1	smartio.io2	P11.2, P17.2
smartio.io3	P11.3, P17.3	smartio.io4	P11.4, P17.4	smartio.io5	P11.5, P17.5
smartio.io6	P11.6, P17.6	smartio.io7	P11.7, P17.7	smif[0].smif0_spihb_select0	P5.0
smif[0].smif0_spihb_select1	P2.0	smif[0].smif0_spihb_select2	P6.7	smif[0].smif0_spihb_select3	P7.0
smif[1].smif0_spihb_select0	P21.7	smif[1].smif0_spihb_select1	P0.0	smif[1].smif0_spihb_select2	P0.1
smif[1].smif0_spihb_select3	P12.3	swj.swclk/tclk	P6.3	swj.swdio/tms	P6.2
swj.tdi	P6.1	swj.tdo	P6.0	swj.trstn	P7.2
tcpwm.line0+	P0.0, P4.3/ SMIF1.3, P7.2, P9.1, P11.6, P14.3, P16.0, P20.1	tcpwm.line0-	P0.1, P4.4/ SMIF1.4, P7.3, P9.3, P11.7, P14.4, P17.0, P20.5	tcpwm.line1+	P1.0/SMIF0.0, P4.5/SMIF1.5, P7.4, P10.0, P12.0, P14.6, P16.1, P20.2
tcpwm.line1-	P1.1/SMIF0.1, P4.6/SMIF1.6, P7.5, P10.1, P12.1, P14.7, P17.1, P20.6	tcpwm.line2+	P1.2/SMIF0.2, P4.7/SMIF1.7, P7.6, P10.2, P12.2, P15.0, P16.2, P20.3	tcpwm.line2-	P1.3/SMIF0.3, P5.0, P7.7, P10.3, P12.3, P15.1, P17.2, P20.7
tcpwm.line256+	P0.0, P9.3, P16.0	tcpwm.line256-	P0.1, P9.1, P17.0	tcpwm.line257+	P1.0/SMIF0.0, P10.0, P16.1
tcpwm.line257-	P1.1/SMIF0.1, P10.1, P17.1	tcpwm.line258+	P1.2/SMIF0.2, P10.2, P16.2	tcpwm.line258-	P1.3/SMIF0.3, P10.3, P17.2
tcpwm.line259+	P1.4/SMIF0.4, P10.4, P16.3	tcpwm.line259-	P1.5/SMIF0.5, P10.5, P17.3	tcpwm.line260+	P1.6/SMIF0.6, P10.6, P16.4

(table continues...)

7 GPIO alternate functions

**Table 13** (continued) GPIO alternate functions

Function	GPIOs	Function	GPIOs	Function	GPIOs
tcpwm.line260-	P1.7/SMIF0.7, P10.7, P17.4	tcpwm.line261+	P2.0, P11.0, P16.5	tcpwm.line261-	P3.0, P11.1, P17.5
tcpwm.line262+	P3.1, P11.2	tcpwm.line262-	P4.0/SMIF1.0, P11.3	tcpwm.line263+	P4.1/SMIF1.1, P11.4, P20.4
tcpwm.line263-	P4.2/SMIF1.2, P11.5, P20.0	tcpwm.line264+	P4.3/SMIF1.3, P11.6, P20.5	tcpwm.line264-	P4.4/SMIF1.4, P11.7, P20.1
tcpwm.line265+	P4.5/SMIF1.5, P12.0, P20.6	tcpwm.line265-	P4.6/SMIF1.6, P12.1, P20.2	tcpwm.line266+	P4.7/SMIF1.7, P12.2, P20.7
tcpwm.line266-	P5.0, P12.3, P20.3	tcpwm.line267+	P6.0, P12.4, P21.0	tcpwm.line267-	P6.1, P12.5, P21.1
tcpwm.line268+	P6.2, P13.1, P21.2	tcpwm.line268-	P6.3, P13.2, P21.3	tcpwm.line269+	P6.4, P13.3, P21.4
tcpwm.line269-	P6.5, P13.4, P21.5	tcpwm.line270+	P6.6, P13.6, P21.6	tcpwm.line270-	P6.7, P13.7, P21.7
tcpwm.line271+	P7.0, P14.1	tcpwm.line271-	P7.1, P14.2	tcpwm.line272+	P7.2, P14.3
tcpwm.line272-	P7.3, P14.4	tcpwm.line273+	P7.4, P14.6	tcpwm.line273-	P7.5, P14.7
tcpwm.line274+	P7.6, P15.0	tcpwm.line274-	P7.7, P15.1	tcpwm.line275+	P8.0, P15.2
tcpwm.line275-	P8.1, P15.3	tcpwm.line276+	P8.2, P15.4	tcpwm.line276-	P8.3, P15.5
tcpwm.line277+	P8.4, P15.6	tcpwm.line277-	P8.5, P15.7	tcpwm.line278+	P8.6, P16.6
tcpwm.line278-	P8.7, P17.6	tcpwm.line279+	P9.2, P16.7	tcpwm.line279-	P9.0, P17.7
tcpwm.line3+	P1.4/SMIF0.4, P6.0, P8.0, P10.4, P12.4, P15.2, P16.3, P21.0	tcpwm.line3-	P1.5/SMIF0.5, P6.1, P8.1, P10.5, P12.5, P15.3, P17.3, P21.1	tcpwm.line4+	P1.6/SMIF0.6, P6.2, P8.2, P10.6, P13.1, P15.4, P16.4, P21.2
tcpwm.line4-	P1.7/SMIF0.7, P6.3, P8.3, P10.7, P13.2, P15.5, P17.4, P21.3	tcpwm.line5+	P2.0, P6.4, P8.4, P11.0, P13.3, P15.6, P16.5, P21.4	tcpwm.line5-	P3.0, P6.5, P8.5, P11.1, P13.4, P15.7, P17.5, P21.5
tcpwm.line6+	P3.1, P6.6, P8.6, P11.2, P13.6, P16.6, P21.6	tcpwm.line6-	P4.0/SMIF1.0, P6.7, P8.7, P11.3, P13.7, P17.6, P21.7	tcpwm.line7+	P4.1/SMIF1.1, P7.0, P9.0, P11.4, P14.1, P16.7, P20.0
tcpwm.line7-	P4.2/SMIF1.2, P7.1, P9.2, P11.5, P14.2, P17.7, P20.4	tdm0.rx.fsync	P21.5	tdm0.rx.mck	P21.7
tdm0.rx.sck	P21.6	tdm0.rx.sd	P21.4	tdm0.tx.fsync	P12.3
tdm0.tx.mck	P21.3	tdm0.tx.sck	P21.2	tdm0.tx.sd	P21.1
tdm1.rx.fsync	P11.5	tdm1.rx.mck	P11.3	tdm1.rx.sck	P11.4
tdm1.rx.sd	P11.6	tdm1.tx.fsync	P11.1	tdm1.tx.mck	P11.7
tdm1.tx.sck	P11.0	tdm1.tx.sd	P11.2	trace.clock	P4.3/SMIF1.3, P20.0

(table continues...)

**Table 13** (continued) GPIO alternate functions

Function	GPIOs	Function	GPIOs	Function	GPIOs
trace.data0	P4.4/SMIF1.4, P20.4	trace.data1	P4.5/SMIF1.5, P20.3	trace.data2	P4.6/SMIF1.6, P20.2
trace.data3	P4.7/SMIF1.7, P20.1	trig0.in0	P11.0	trig0.in1	P11.1
trig0.in2	P11.2	trig0.in3	P11.3	trig0.in4	P7.5
trig0.in5	P7.6	trig0.in6	P7.7	trig0.in7	P8.0
trig0.out0	P7.0	trig0.out1	P7.1	trig1.in0	P11.0
trig1.in1	P11.1	trig1.in2	P11.2	trig1.in3	P11.3
trig1.in4	P7.5	trig1.in5	P7.6	trig1.in6	P7.7
trig1.in7	P8.0	trig1.out0	P7.0	trig1.out1	P7.1
wco_in	P18.1	wco_out	P18.0		

## 8 Electrical specifications

Specifications are valid for  $-20^{\circ}\text{C} \leq \text{TA} \leq 70^{\circ}\text{C}$ , and  $1.71\text{ V} \leq \text{VDDD} \leq 1.89\text{ V}$ , except where noted. Typical values measured at  $25^{\circ}\text{C}$ .

### 8.1 Absolute maximum ratings

**Table 14** Absolute maximum ratings

Spec ID	Parameter	Symbol	Values			Unit	Note or test condition
			Min.	Typ.	Max.		
SID3	Supply for SRSS	VDDD	-0.5	-	2.4	V	Absolute Maximum
SID4	Current per GPIO	IGPIO_ABS	-25	-	25	mA	Absolute Maximum
SID5	GPIO injection current per pin	IGPIO_injection	-0.5	-	0.5	mA	Absolute Maximum
SID3A	Electrostatic discharge Human Body Model	ESD_HBM	2000	-	-	V	Absolute Maximum
SID4A	Electrostatic discharge Charged Device Model	ESD_CDM	500	-	-	V	Absolute Maximum
SID5A	Pin current for latchup free operation	LU	-100	-	100	mA	Absolute Maximum
SIDWA1	DC supply for the VBAT supply	VBAT	-0.5	-	5.5	V	Absolute Maximum
SIDWA2a	DC supply voltage for digital I/O	VDDIO	-0.5	-	2.4	V	Absolute Maximum
SIDWA2b	DC supply voltage for high voltage digital I/O	VDDIO6	-0.5	-	4.1	V	Absolute Maximum
SIDWA7	DC supply voltage for core	VCCD	-0.5	-	1.2	V	Absolute Maximum
SIDWA8	Maximum undershoot voltage for I/O	Vundershoot	-	-	-0.5	V	Duration not to exceed 25% of the duty cycle
SIDWA9	Maximum overshoot voltage for I/O	Vovershoot	-	-	VDDIO+0.5	V	Duration not to exceed 25% of the duty cycle
SIDWA10	Maximum junction temperature	Tj	-	-	125	$^{\circ}\text{C}$	

### 8.2 Device-level specifications

#### 8.2.1 Power supplies and operating conditions

Supply powered devices require only a single VDD supply at 1.8 V supply while battery powered devices require a 2.7 V – 4.8 V supply to VBAT and 1.8 V supply to VDD. Specifications are provided for both supply powered devices with VDDD = 1.8 V and battery powered devices with VBAT = 3.3 V and VDDD = 1.8 V. Supply powered devices include the core regulator input current (VDD.1P8 pin) in the VDDD measurement while battery powered devices list core regulator input current separately as VBAT (VBAT pin). Specification IDDD current includes current from the following

8 Electrical specifications

pins: VDDD, VDDQ, VDD.BAT, VDD.DSI, VDDA, and VDD.1P8 (supply powered only). All VDDIO [0:8,SMIF0,SMIF1] are measured separately and reported in the GPIO specification section.

All System Active, System Deep Sleep, and System Hibernate current specifications use the same base configuration defined here. Additions to the base configuration are also specified. Deviations unique to specific specifications are listed in the respective Description sections of the specification table. Condition deviations unique to specific specifications override any previously defined base or additional conditions. Final specification conditions are the sum of the base configuration, the appropriate core voltage configuration, and the appropriate common PD0 + PD1 power configuration. Then apply any specification specific changes listed in the respective Description section. Power state is defined as On or Off, clock resources are defined as Enabled or Disabled.

**Base configuration:**

Resource	State	Description
Core regulator	On	Required for core power
Core regulator power mode	High Power	Required for System Active operation
Source clock	50 MHz IHO	On device clock source
Clock path CLK_PATH[0,2,3] source	IHO	Route IHO to DPLL inputs and bypass path
DPLL_HP0 state	Disabled	Not used for specification conditions
DPLL_LP0 state	Enabled	DPLL active
DPLL_LP0 source	IHO	DPLL clock source is IHO
DPLL_LP0 frequency	Greater of CM33 or CM55 condition frequency	DPLL output frequency is lowest to meet CPU frequency(s) in specification CM33 and CM55 columns
DPLL_LP1 state	Disabled	Not required for base conditions
clk_hf[0,1,2,3] divider source	DPLL_LP0	Root clock dividers source set to DPLL_LP0 output
clk_hf[1,2,3] divider	1	Clk_hf output frequency = input
clk_hf[0]	Enabled	SYSCPUSS and CM33 root clock
clk_hf[3]	Disabled	SoCMEM root clock
clk_hf[4:13] state	Disabled	Peripherals clock gated at root clocks
SYS_MMIO0 (PERIO_GR0_SL_CTL)	Enable all except DEBUG, M0SECCPUSS, CRYPTO	Enable clocks for all individual SYSCPUSS CM33 resources
SYS_MMIO1 (PERIO_GR1_SL_CTL)	Enable only HSIOM, GPIO	Enable GPIO required resource clocks but no peripheral clocks
SYS_MMIO[2:5] (PERIO_GR[2:5]_SL_CTL)	Disable all	Peripherals clock gated
APP_MMIO[1,3] (PERI1_GR[1,3]_SL_CTL)	Disable all	Peripherals clock gated
APP_MMIO[4] (PERI1_GR4_SL_CTL)	Enable all	Enable CM55 ITCM and DTCM clock source
CM33 cache	Enabled	Enable clock and use CM33 cache
CM55 caches	Enabled	Enable clock and use CM55 caches
CM33 and CM55 CPU active test load	Dhrystone	Standard CPU test load

8 Electrical specifications

Resource	State	Description
DMA	Disabled	DMA masters unavailable and clock gated
Debug Access Ports (DAP)	Off	Debug unavailable and powered down
Code execution	RRAM	All code is executed from RRAM unless otherwise stated
RRAM state	Sleep	RRAM in low power state. Can not access.
All peripherals	Off	Peripheral power is listed separately in respective sections
All unlisted settings	Default state	See register TRM for POR values
External Flash device	Quad SPI	Infineon S25HS512 device

**Configuration additions**

System HP (High Performance) mode, VCCD core = 0.9 V:

Resource	State	Description
Power Mode	System HP	High Performance

System LP (Low Power) mode, VCCD core = 0.8 V:

Resource	State	Description
Power Mode	System LP	Low Power

System ULP (Ultra Low Power) mode, VCCD core = 0.7 V:

Resource	State	Description
Power Mode	System ULP	Ultra Low Power
DPLL_LP0 state	Disabled	Low Power DPLL not used in System ULP mode
clk_hf[0,1,2,3] divider source	CLK_PATH3	Root clock dividers source set directly to IHO through CLK_PATH3

PD0 = On, PD1 = Off:

Resource	State	Description
PD0	On	Low power domain powered
PD1	Off	High power domain not powered
clk_hf[0] divider	1	SYSCPUSS CM33 clock frequency same as source
clk_hf[1] state	Disabled	APPCPUSS CM55 root clock gated
clk_hf[2] state	Disabled	SoCMEM root clock gated
APP_MMIO0 (PERI1_GR0_SL_CTL)	All disabled	Disable clocks for all individual APPCPUSS CM55 resources
APP_MMIO2 (PERI1_GR2_SL_CTL)	All disabled	Disable clocks for U55 and SoCMEM
CM55 power	Off	CM55 CPU powered down
U55 power	Off	U55 CPU powered down



8 Electrical specifications

PD0 = On, PD1 = On:

Resource	State	Description
PD0	On	Low power domain powered
PD1	On	High power domain powered
clk_hf[0] divider	2	SYSCPUSS CM33 clock frequency ½ of source
clk_hf[1] state	Enabled	APPCPUSS CM55 root clock running
clk_hf[2] state	Enabled	SoCMEM CM55 root clock running
APP_MMIO0 (PERI1_GR0_SL_CTL)	All enabled	Enable clocks for all individual APPCPUSS CM55 resources
APP_MMIO2 (PERI1_GR2_SL_CTL)	Enable only SoCMEM	Enable SoCMEM clock and disable U55 clock
CM55 power	On	CM55 CPU powered
U55 power	Off	U55 CPU powered down

**Table 15 Supplies**

Spec ID	Description	Symbol	Values			Unit	Note or test condition
			Min.	Typ.	Max.		
SID10	External Regulator voltage (VCCD) bypass	CEFC	3.8	4.7	5.6	µF	X5R ceramic or better; Value for 0.8 to 1.2 V
SID11	Power supply decoupling capacitor	CEXC	-	10	-	µF	X5R ceramic or better
SID11LDO	LDO bypass capacitor	CLDO	0.8	1	1.2	µF	For all LDO outputs; 0.5 to 1.0 V
SIDWA12	Ambient Temperature (TA) for Commercial Operation		-20	-	70	°C	
SIDWA13	Storage Temperature		-40	-	125	°C	
SIDWA14	Relative Humidity for Storage		-	-	60	%	
SIDWA15	Relative Humidity for Operation		-	-	85	%	
SIDWA16	DC supply voltage for VBAT	VBAT	2.7	3.3	4.8	V	
SIDWA17	DC supply voltage for core	VCCD	0.7	0.8	0.9	V	
SIDWA18	VDDD Externally Regulated	VDDD	1.71	1.8	1.89	V	Either VBAT or VDDD is used
SIDWA19	DC supply voltage for digital I/O	VDDIO	1.71	1.8	1.89	V	
SIDWA19A	DC supply voltage for high voltage digital I/O	VDDIO6	2.97	3.3	3.63	V	VDDIO6 when used as 3.3 V GPIO
SIDWA19B	DC supply voltage for 1.8 V usage	VDDIO6	1.71	1.8	1.89	V	VDDIO6 when used as 1.8 V GPIO

(table continues...)

8 Electrical specifications

**Table 15 (continued) Supplies**

Spec ID	Description	Symbol	Values			Unit	Note or test condition
			Min.	Typ.	Max.		
SIDWA20	Analog Supply Voltage	VDDA	1.71	1.8	1.89	V	
SIDWA21	USB Supply Voltage	VDDUSB	3.07	3.3	3.63	V	

**Table 16 CPU currents, active modes, battery powered configuration, VBAT=3.3 V, VDDD=1.8 V**

Spec ID	Description	CM33 (MHz)	CM55 (MHz)	IBAT		IDDD		Units
				Typical	Max 70°C	Typical	Max 70°C	

**System HP (High Performance) mode (See condition details above), VCCD = 0.9 V**

**PD0 = On (Low Power Domain), PD1 = Off (High Performance Domain) (See condition details above)**

CM33 CPU Sleep (RRAM)

SIDH00A		200	-	1.9	5.5	0.8	1.2	mA
SIDH00B		70	-	1.2	4.7	0.8	1.2	mA

CM33 Active, execute from RRAM, RRAM enabled

SIDH01A		200	-	4.0	7.7	0.8	1.2	mA
SIDH01B		70	-	1.9	5.5	0.8	1.2	mA

CM33 Active, execute while(1) from SRAM, DPLL\_LP0 = Disabled, clk\_hf[0,1,2] source = CLK\_PATH3, clk\_hf[0] divider = 16

SIDH02B		3.1	-	0.9	4.2	0.2	0.3	mA
---------	--	-----	---	-----	-----	-----	-----	----

CM33 Active, execute from SRAM

SIDH03A		200	-	4.4	8.0	0.6	0.8	mA
SIDH03B		70	-	2.1	5.5	0.6	0.8	mA

**PD0 = On (Low Power Domain), PD1 = On (High Performance Domain) (See condition details above)**

CM33 CPU Sleep (RRAM), CM55 + U55 Off

SIDH10A		200	400	7.9	21.3	0.9	1.5	mA
SIDH10B		70	140	4.1	17.2	0.9	1.4	mA

CM33 Active, execute external Flash octal SPI, SMIF = enabled, SMIF cache disabled, CM55 + U55 Off, clk\_hf[3] = Enabled, APP\_MMIO1 = Only SMIF enabled, APP\_MMIO2 = Disable SOCMEM

SIDH11A		200	400	12.3	22.6	2.3	3.5	mA
SIDH11B		70	140	5.7	15.7	1.8	2.6	mA

CM33 CPU Sleep (RRAM), CM55 CPU Sleep (RRAM), U55 Off

SIDH12A		200	400	9.1	25.9	1.0	1.4	mA
SIDH12B		70	140	4.8	21.2	0.9	1.3	mA

CM33 CPU Sleep (RRAM), CM55 + U55 CPU Sleep (RRAM), U55 = Enabled, APP\_MMIO2 = Enable SOCMEM and U55

**(table continues...)**

**Table 16** (continued) CPU currents, active modes, battery powered configuration, VBAT=3.3 V, VDDD=1.8 V

Spec ID	Description	CM33 (MHz)	CM55 (MHz)	IBAT		IDDD		Units
				Typical	Max 70°C	Typical	Max 70°C	
SIDH13A		200	400	9.4	26.8	1.0	1.5	mA
SIDH13B		70	140	4.9	21.8	0.9	1.4	mA
CM33 CPU Sleep (RRAM), CM55 Active execute from RRAM, U55 Off, RRAM enabled								
SIDH14A		200	400	15.4	32.7	1.0	1.5	mA
SIDH14B		70	140	7.0	23.5	0.9	1.4	mA
CM33 CPU Sleep (RRAM), CM55 Active execute while(1) from System SRAM, U55 Off, DPLL_LP0 = Disabled, clk_hf[0,1,2] source = CLK_PATH3, clk_hf[0,1,2] divider = 16								
SIDH15B		3.1	3.1	2.6	14.8	0.3	0.7	mA
CM33 CPU Sleep (RRAM), CM55 Active execute from System SRAM, U55 Off								
SIDH16A		200	400	15.8	29.7	0.8	1.2	mA
SIDH16B		70	140	7.0	20.8	0.7	1.1	mA
CM33 CPU Sleep (RRAM), CM55 Active execute from System SRAM, System SRAM = 300 MHz, U55 Off, DPLL_LP1 = Enabled, DPLL_LP1 freq = 300 MHz, clk_hf[2] source = DPLL_LP1								
SIDH17A		200	400	16.4	31.6	1.2	1.8	mA
CM33 CPU Sleep (RRAM), CM55 Active execute from TCM, U55 Off								
SIDH18A		200	400	15.8	29.7	0.8	1.3	mA
SIDH18B		70	140	7.1	20.6	0.7	1.2	mA
CM33 CPU Sleep (RRAM), CM55 Active execute from external Flash octal SPI, SMIF = enabled, SMIF cache disabled, U55 Off, clk_hf[3] = Enabled, APP_MMIO1 = Only SMIF enabled								
SIDH19A		200	400	17.9	31.3	2.4	3.6	mA
SIDH19B		70	140	7.9	20.5	1.9	2.7	mA
CM33 Active execute from SRAM, CM55 Active execute from System SRAM, U55 Off								
SIDH20A		200	400	15.9	29.7	0.8	1.2	mA
SIDH20B		70	140	7.1	20.6	0.7	1.0	mA
CM33 CPU Sleep (RRAM), CM55+U55 Active execute EMBCC AudioMark from System SRAM, U55 = Enabled, APP_MMIO2 = Enable SOCMEM and U55								
SIDH21A		200	400	24.1	36.3	2.5	3.5	mA
SIDH21B		70	140	10.2	21.7	2.1	2.6	mA

(table continues...)

8 Electrical specifications

**Table 16** (continued) CPU currents, active modes, battery powered configuration, VBAT=3.3 V, VDDD=1.8 V

Spec ID	Description	CM33 (MHz)	CM55 (MHz)	IBAT		IDDD		Units
				Typical	Max 70°C	Typical	Max 70°C	
SIDL00C		50	-	0.8	3.7	0.7	1.1	mA
CM33 Active, execute from RRAM, RRAM enabled								
SIDL01B		70	-	1.5	4.6	0.7	1.1	mA
SIDL01C		50	-	1.3	4.3	0.7	1.1	mA
CM33 Active, execute while(1) from SRAM, DPLL_LP0 = Disabled, clk_hf[0,1,2] source = CLK_PATH3, clk_hf[0] divider = 16								
SIDL02B		3.1	-	0.6	3.6	0.2	0.3	mA
CM33 Active, execute from SRAM								
SIDL03B		70	-	1.6	4.1	0.4	0.6	mA
SIDL03C		50	-	1.3	3.7	0.4	0.6	mA
<b>PD0 = On (Low Power Domain), PD1 = On (High Performance Domain)</b>								
CM33 CPU Sleep (RRAM), CM55 + U55 Off								
SIDL10B		70	140	3.7	16.4	0.7	1.1	mA
SIDL10C		50	50	2.4	15.1	0.6	0.9	mA
CM33 Active, execute external Flash octal SPI, SMIF = enabled, SMIF cache disabled, CM55 + U55 Off, clk_hf[3] = Enabled, APP_MMIO1 = Only SMIF enabled, APP_MMIO2 = Disable SOCMEM								
SIDL11B		70	140	4.6	13.9	1.7	2.3	mA
SIDL11C	clk_hf[0] divider = 1	50	50	3.8	14.8	1.5	2.0	mA
CM33 CPU Sleep (RRAM), CM55 CPU Sleep (RRAM), U55 Off								
SIDL12B		70	140	3.7	16.4	0.7	1.1	mA
SIDL12C	clk_hf[0] divider = 1	50	50	2.4	15.1	0.6	0.9	mA
CM33 CPU Sleep (RRAM), CM55 + U55 CPU Sleep (RRAM), U55 = Enabled, APP_MMIO2 = Enable SOCMEM and U55								
SIDL13B		70	140	3.9	17.0	0.7	3.3	mA
SIDL13C	clk_hf[0] divider = 1	50	50	2.6	15.6	0.6	0.9	mA
CM33 CPU Sleep (RRAM), CM55 Active execute from RRAM, U55 Off, RRAM enabled								
SIDL14B		70	140	5.7	18.6	0.7	1.0	mA
SIDL14C	clk_hf[0] divider = 1	50	50	3.1	15.9	0.6	1.0	mA
CM33 CPU Sleep (RRAM), CM55 Active execute while(1) from System SRAM, U55 Off, DPLL_LP0 = Disabled, clk_hf[0,1,2] source = CLK_PATH3, clk_hf[0,1,2] divider = 16								
SIDL15B		3.1	3.1	1.7	12.3	0.2	0.3	mA

**(table continues...)**

**Table 16** (continued) CPU currents, active modes, battery powered configuration, VBAT=3.3 V, VDDD=1.8 V

Spec ID	Description	CM33 (MHz)	CM55 (MHz)	IBAT		IDDD		Units
				Typical	Max 70°C	Typical	Max 70°C	
SIDL16B		70	140	5.9	18.0	0.5	0.8	mA
SIDL16C	clk_hf[0] divider = 1	50	50	3.3	13.9	0.4	0.7	mA
CM33 CPU Sleep (RRAM), CM55 Active execute from TCM, U55 Off								
SIDL18B		70	140	5.8	15.8	0.5	0.7	mA
SIDL18C	clk_hf[0] divider = 1	50	50	3.1	12.9	0.4	1.2	mA
CM33 CPU Sleep (RRAM), CM55 Active execute from external Flash octal SPI, SMIF = enabled, SMIF cache disabled, U55 Off, clk_hf[3] = Enabled, APP_MMIO1 = Only SMIF enabled								
SIDL19B		70	140	6.5	18.1	1.7	2.4	mA
SIDL19C	clk_hf[0] divider = 1	50	50	3.3	14.0	1.6	2.0	mA
CM33 Active execute from SRAM, CM55 Active execute from System SRAM, U55 Off								
SIDL20B		70	140	5.7	16.5	0.6	0.8	mA
SIDL20C	clk_hf[0] divider = 1	50	50	3.2	13.7	0.5	0.8	mA
CM33 CPU Sleep (RRAM), CM55+U55 Active execute EMBCC AudioMark from System SRAM, U55 = Enabled, APP_MMIO2 = Enable SOCMEM and U55								
SIDL21B		70	140	7.3	14.4	2.1	2.5	mA
SIDL21C	clk_hf[0] divider = 1	50	50	3.7	10.8	1.5	1.9	mA
<b>System ULP (Ultra Low Power) mode, VCCD = 0.7 V</b>								
<b>PD0 = On (Low Power Domain), PD1 = Off (High Performance Domain)</b>								
CM33 CPU Sleep (RRAM)								
SIDU00C		50	-	0.6	2.8	0.4	0.7	mA
SIDU00D	clk_hf[0] divider = 2	25	-	0.6	2.8	0.4	0.7	mA
CM33 Active, execute from RRAM. RRAM enabled								
SIDU01C		50	-	1.0	3.4	0.4	0.7	mA
SIDU01D	clk_hf[0] divider = 2	25	-	0.8	3.0	0.4	0.7	mA
CM33 Active, execute while(1) from SRAM, CM33=3.1 MHz, DPLL_LP0 = Disabled, clk_hf[0,1,2] source = CLK_PATH3, clk_hf[0] divider = 16								
SIDU02B		3.1	-	0.5	2.5	0.2	0.2	mA
CM33 Active, execute from SRAM								
SIDU03C		50	-	1.1	2.9	0.4	0.6	mA
SIDU03D	clk_hf[0] divider = 2	25	-	0.8	2.4	0.4	0.6	mA
<b>PD0 = On (Low Power Domain), PD1 = On (High Performance Domain)</b>								
<b>(table continues...)</b>								

8 Electrical specifications

**Table 16** (continued) CPU currents, active modes, battery powered configuration, VBAT=3.3 V, VDDD=1.8 V

Spec ID	Description	CM33 (MHz)	CM55 (MHz)	IBAT		IDDD		Units
				Typical	Max 70°C	Typical	Max 70°C	
CM33 CPU Sleep (RRAM), CM55 + U55 Off								
SIDU10C	clk_hf[0] divider = 1	50	50	1.7	8.6	0.4	0.7	mA
SIDU10D	clk_hf[0,1,2] divider = 2	25	25	1.4	8.3	0.4	0.7	mA
CM33 Active, execute external Flash octal SPI, SMIF = enabled, SMIF cache disabled, CM55 + U55 Off, clk_hf[3] = Enabled, APP_MMIO1 = Only SMIF enabled, APP_MMIO2 = Disable SOCMEM								
SIDU11C	clk_hf[0] divider = 1	50	50	3.0	11.9	1.5	2.0	mA
SIDU11D	clk_hf[0,1,2] divider = 2	25	25	2.2	10.8	1.2	1.6	mA
CM33 CPU Sleep (RRAM), CM55 CPU Sleep (RRAM), U55 Off								
SIDU12C	clk_hf[0] divider = 1	50	50	1.9	10.6	0.4	0.7	mA
SIDU12D	clk_hf[0,1,2] divider = 2	25	25	1.6	10.3	0.4	0.7	mA
CM33 CPU Sleep (RRAM), CM55 + U55 CPU Sleep (RRAM), U55 = Enabled, APP_MMIO2 = Enable SOCMEM and U55								
SIDU13C	clk_hf[0] divider = 1	50	50	2.0	11.0	0.4	1.5	mA
SIDU13D	clk_hf[0,1,2] divider = 2	25	25	1.7	10.6	0.4	0.7	mA
CM33 CPU Sleep (RRAM), CM55 Active execute from RRAM, U55 Off, RRAM enabled								
SIDU14C	clk_hf[0] divider = 1	50	50	2.5	10.4	0.4	0.7	mA
SIDU14D	clk_hf[0,1,2] divider = 2	25	25	1.9	10.6	0.4	0.7	mA
CM33 CPU Sleep (RRAM), CM55 Active execute while(1) from System SRAM, U55 Off, DPLL_LP0 = Disabled, clk_hf[0,1,2] source = CLK_PATH3, clk_hf[0,1,2] divider = 16								
SIDU15B		3.1	3.1	1.3	9.4	0.2	0.3	mA
CM33 CPU Sleep (RRAM), CM55 Active execute from System SRAM, U55 Off								
SIDU16C	clk_hf[0,1,2] divider = 1	50	50	2.6	10.8	0.2	0.4	mA
SIDU16D	clk_hf[0,1,2] divider = 2	25	25	2.0	9.9	0.2	0.4	mA
CM33 CPU Sleep (RRAM), CM55 Active execute from TCM, U55 Off								
SIDU18C	clk_hf[0] divider = 1	50	50	2.4	9.4	0.2	0.3	mA
SIDU18D	clk_hf[0,1,2] divider = 2	25	25	1.8	8.7	0.2	0.3	mA
CM33 CPU Sleep (RRAM), CM55 Active execute from external Flash octal SPI, SMIF = enabled, SMIF cache disabled, U55 Off, clk_hf[3] = Enabled, APP_MMIO1 = Only SMIF enabled								
SIDU19C	clk_hf[0] divider = 1	50	50	2.6	11.0	1.6	2.0	mA
SIDU19D	clk_hf[0,1,2] divider = 2	25	25	2.0	10.2	1.2	1.5	mA
CM33 Active execute from SRAM, CM55 Active execute from System SRAM, U55 Off								
SIDU20C	clk_hf[0] divider = 1	50	50	2.5	10.3	0.2	0.4	mA
SIDU20D	clk_hf[0,1,2] divider = 2	25	25	1.9	9.7	0.2	0.4	mA

**Table 17 CPU currents, deep sleep and hibernate modes, battery powered configuration, VBAT=3.3 V, VDDD=1.8 V**

Spec ID	Description	IBAT		IDDD		Units
		Typical	Max 70°C	Typical	Max 70°C	
<b>Deep Sleep Mode - Core buck regulator enabled, VDDIO currents not included, VCCD = 0.7 V</b>						
SIDDSA	System Deep Sleep, 64 KB SRAM retention, PD1 Disabled	26.1	194.2	4.2	11.8	µA
SIDDSB	System Deep Sleep, 512 KB SRAM retention, PD1 Disabled	28.2	230.3	4.1	15.1	µA
SIDDS C	System Deep Sleep, 1 M SRAM retention, PD1 Disabled	30.6	225.0	4.0	11.6	µA
SIDDSG	System Deep Sleep, 64 KB SRAM retention, PD1 Enabled, CM55 Disabled	29.5	264.9	4.0	15.2	µA
SIDDSH	System Deep Sleep, 64 KB SRAM + 512 kB System SRAM retention, PD1 Enabled, CM55 Disabled	31.9	282.1	4.0	15.6	µA
SIDDS D	System Deep Sleep, 64 kB SRAM + 1024 kB System SRAM+TCM retention, PD1 and CM55 Enabled	41.6	367.1	4.0	15.5	µA
SIDDS E	System Deep Sleep, 64 KB SRAM + 5.5 MB System SRAM+TCM retention, PD1 and CM55 Enabled	60.8	493.6	4.0	15.8	µA
SIDDS F	System Deep Sleep, 1 MB SRAM + 5.5 MB System SRAM+TCM retention, PD1 and CM55 Enabled	65.3	508.9	4.0	12.0	µA
SIDDSRA	System Deep Sleep-RAM, 64 KB SRAM retention, PD1 Disabled	21.7	158.2	3.9	19.2	µA
SIDDSRD	System Deep Sleep-RAM, 1M SRAM retention, PD1 Disabled	26.3	186.8	3.9	19.2	µA
SIDDSRB	System Deep Sleep-RAM, 64 kB SRAM + 512 kB System SRAM, PD1 Enabled	26.7	188.3	3.9	72.4	µA
SIDDSRC	System Deep Sleep-RAM, 64 kB SRAM + 5.0 MB System SRAM retention, PD1 Enabled	45.9	382.2	4.0	18.2	µA
SIDDSO	System Deep Sleep-OFF, PD1 Disabled	20.7	152.7	3.9	18.7	µA
<b>Hibernate Mode - VDDIO currents not included</b>						
SIDHIBA	No Clocks	0.3	0.9	1.6	16.5	µA
SIDHIBB	PILO+WDT	0.3	0.7	2.6	9.6	µA
SIDHIBC	WCO+RTC	0.3	0.7	1.9	8.7	µA

**Table 18 CPU currents, supply powered configuration, VDDD=1.8 V**

Spec ID	Description	CM33 (MHz)	CM55 (MHz)	IDDD		Units
				Typical	Max 70°C	
<b>System HP (High Performance) mode (See condition details above), VCCD = 0.9 V</b>						
<b>PD0 = On (Low Power Domain), PD1 = Off (High Performance Domain) (See condition details above)</b>						
CM33 CPU Sleep						
SIDH00A		200	-	4.3	10.3	mA
SIDH00B		70	-	3.0	8.8	mA
SIDH00C		50	-	2.7	8.6	mA
CM33 Active, execute from RRAM, RRAM enabled						
SIDH01A		200	-	8.2	14.4	mA
SIDH01B		70	-	4.3	10.2	mA
SIDH01C		50	-	3.7	9.6	mA
CM33 Active, execute while(1) from SRAM, DPLL_LP0 = Disabled, clk_hf[0,1,2] source = CLK_PATH3, clk_hf[0] divider = 16						
SIDH02B		3.1	-	1.8	8.2	mA
CM33 Active, execute from SRAM						
SIDH03A		200	-	8.8	14.6	mA
SIDH03B		70	-	4.4	11.0	mA
SIDH03C		50	-	3.7	9.8	mA
<b>PD0 = On (Low Power Domain), PD1 = On (High Performance Domain) (See condition details above)</b>						
CM33 CPU Sleep, CM55 + U55 Off						
SIDH10A		200	400	5.9	32.4	mA
SIDH10B		70	140	16.2	44.2	mA
SIDH10C		50	140	8.6	36.2	mA
CM33 Active, execute external Flash octal SPI, SMIF = enabled, SMIF cache disabled, CM55 + U55 Off, clk_hf[3] = Enabled, APP_MMIO1 = Only SMIF enabled, APP_MMIO2 = Disable SOCMEM						
SIDH11A		200	400	25.5	47.2	mA
SIDH11B		70	140	12.5	33.5	mA
CM33 CPU Sleep, CM55 CPU Sleep, U55 Off						
SIDH12A		200	400	19.2	51.4	mA
SIDH12B		70	140	9.8	46.6	mA
CM33 CPU Sleep, CM55 + U55 CPU Sleep, U55 = Enabled, APP_MMIO2 = Enable SOCMEM and U55						
SIDH13A		200	400	18.6	53.3	mA
SIDH13B		70	140	10.0	44.2	mA

**(table continues...)**



**Table 18 (continued) CPU currents, supply powered configuration, VDDD=1.8 V**

Spec ID	Description	CM33 (MHz)	CM55 (MHz)	IDDD		Units
				Typical	Max 70°C	
CM33 CPU Sleep, CM55 Active execute from RRAM, U55 Off, RRAM enabled						
SIDH14A		200	400	30.0	64.9	mA
SIDH14B		70	140	13.9	36.1	mA
CM33 CPU Sleep, CM55 Active execute while(1) from System SRAM, U55 Off, DPLL_LP0 = Disabled, clk_hf[0,1,2] source = CLK_PATH3, clk_hf[0,1,2] divider = 16						
SIDH15B		3.1	3.1	5.2	25.8	mA
CM33 CPU Sleep, CM55 Active execute from System SRAM, U55 Off						
SIDH16A		200	400	32.9	78.7	mA
SIDH16B		70	140	14.5	46.4	mA
CM33 CPU Sleep, CM55 Active execute from System SRAM, System SRAM = 300 MHz, U55 Off, DPLL_LP1 = Enabled, DPLL_LP1 freq = 300 MHz, clk_hf[2] source = DPLL_LP1						
SIDH17A		200	400	29.4	68.6	mA
CM33 CPU Sleep, CM55 Active execute from TCM, U55 Off						
SIDH18A		200	400	31.6	69.4	mA
SIDH18B		70	140	14.2	46.7	mA
CM33 CPU Sleep, CM55 Active execute from external Flash octal SPI, SMIF = enabled, SMIF cache disabled, U55 Off, clk_hf[3] = Enabled, APP_MMIO1 = Only SMIF enabled						
SIDH19A		200	400	36.4	63.3	mA
SIDH19B		70	140	16.9	40.7	mA
CM33 Active execute from SRAM, CM55 Active execute from System SRAM, U55 Off						
SIDH20A		200	400	32.5	63.7	mA
SIDH20B		70	140	14.7	41.6	mA
CM33 CPU Sleep, CM55+U55 Active execute EMBCC AudioMark from System SRAM, U55 = Enabled, APP_MMIO2 = Enable SOCMEM and U55						
SIDH21A		200	400	47.5	73.5	mA
SIDH21B		70	140	21.6	47.1	mA
<b>System LP (Low Power) mode, VCCD = 0.8 V</b>						
<b>PD0 = On (Low Power Domain), PD1 = Off (High Performance Domain)</b>						
CM33 CPU Sleep						
SIDL00B		70	-	2.2	5.7	mA
SIDL00C		50	-	2.0	5.6	mA
CM33 Active, execute from RRAM, RRAM enabled						

**(table continues...)**

**Table 18 (continued) CPU currents, supply powered configuration, VDDD=1.8 V**

Spec ID	Description	CM33 (MHz)	CM55 (MHz)	IDDD		Units
				Typical	Max 70°C	
SIDL01B		70	-	3.2	6.8	mA
SIDL01C		50	-	2.7	6.3	mA
CM33 Active, execute while(1) from SRAM, DPLL_LP0 = Disabled, clk_hf[0,1,2] source = CLK_PATH3, clk_hf[0] divider = 16						
SIDL02B		3.1	-	1.1	4.5	mA
CM33 Active, execute from SRAM						
SIDL03B		70	-	3.1	6.7	mA
SIDL03D	DPLL=70 MHz, clk_hf[0] divider = 2	35	-	2.2	5.8	mA
SIDL03C		50	-	2.6	6.1	mA
<b>PD0 = On (Low Power Domain), PD1 = On (High Performance Domain)</b>						
CM33 CPU Sleep, CM55 + U55 Off						
SIDL10B		70	140	5.6	19.8	mA
SIDL10C		50	50	3.9	17.9	mA
CM33 Active, execute external Flash octal SPI, SMIF = enabled, SMIF cache disabled, CM55 + U55 Off, clk_hf[3] = Enabled, APP_MMIO1 = Only SMIF enabled, APP_MMIO2 = Disable SOCMEM						
SIDL11B		70	140	8.8	28.5	mA
SIDL11C	clk_hf[0] divider = 1	50	50	7.4	28.5	mA
CM33 CPU Sleep, CM55 CPU Sleep, U55 Off						
SIDL12B		70	140	6.4	21.0	mA
SIDL12C	clk_hf[0] divider = 1	50	50	4.4	18.7	mA
CM33 CPU Sleep, CM55 + U55 CPU Sleep, U55 = Enabled, APP_MMIO2 = Enable SOCMEM and U55						
SIDL13B		70	140	6.6	24.9	mA
SIDL13C	clk_hf[0] divider = 1	50	50	4.5	22.8	mA
CM33 CPU Sleep, CM55 Active execute from RRAM, U55 Off, RRAM enabled						
SIDL14B		70	140	9.2	28.1	mA
SIDL14C	clk_hf[0] divider = 1	50	50	5.4	24.0	mA
CM33 CPU Sleep, CM55 Active execute while(1) from System SRAM, U55 Off, DPLL_LP0 = Disabled, clk_hf[0,1,2] source = CLK_PATH3, clk_hf[0,1,2] divider = 16						
SIDL15B		3.1	3.1	2.9	18.6	mA
CM33 CPU Sleep, CM55 Active execute from System SRAM, U55 Off						
SIDL16B		70	140	9.5	27.5	mA
SIDL16C	clk_hf[0] divider = 1	50	50	5.4	21.8	mA

**(table continues...)**

8 Electrical specifications

**Table 18 (continued) CPU currents, supply powered configuration, VDDD=1.8 V**

Spec ID	Description	CM33 (MHz)	CM55 (MHz)	IDDD		Units
				Typical	Max 70°C	
CM33 CPU Sleep, CM55 Active execute from TCM, U55 Off						
SIDL18B		70	140	9.2	27.4	mA
SIDL18C	clk_hf[0] divider = 1	50	50	5.3	23.2	mA
CM33 CPU Sleep, CM55 Active execute from external Flash octal SPI, SMIF = enabled, SMIF cache disabled, U55 Off, clk_hf[3] = Enabled, APP_MMIO1 = Only SMIF enabled						
SIDL19B		70	140	11.8	32.5	mA
SIDL19C	clk_hf[0] divider = 1	50	50	6.8	32.5	mA
CM33 Active execute from SRAM, CM55 Active execute from System SRAM, U55 Off						
SIDL20B		70	140	13.1	30.7	mA
SIDL20C	clk_hf[0] divider = 1	50	50	5.9	21.9	mA
CM33 CPU Sleep, CM55+U55 Active execute EMBCC AudioMark from System SRAM, U55 = Enabled, APP_MMIO2 = Enable SOCMEM and U55						
SIDL21B		70	140	16.2	33.7	mA
SIDL21C	clk_hf[0] divider = 1	50	50	8.8	26.4	mA
<b>System ULP (Ultra Low Power) mode, VCCD = 0.7 V</b>						
<b>PD0 = On (Low Power Domain), PD1 = Off (High Performance Domain)</b>						
CM33 CPU Sleep						
SIDU00C		50	-	1.3	3.9	mA
SIDU00D	clk_hf[0] divider = 2	25	-	1.3	3.9	mA
CM33 Active, execute from RRAM. RRAM enabled						
SIDU01C		50	-	2.0	4.7	mA
SIDU01D	clk_hf[0] divider = 2	25	-	1.6	4.2	mA
CM33 Active, execute while(1) from SRAM, CM33=3.1 MHz, DPLL_LP0 = Disabled, clk_hf[0,1,2] source = CLK_PATH3, clk_hf[0] divider = 16						
SIDU02B		3.1	-	1.0	3.6	mA
CM33 Active, execute from SRAM						
SIDU03C		50	-	2.3	5.0	mA
SIDU03D	clk_hf[0] divider = 2	25	-	1.8	4.5	mA
<b>PD0 = On (Low Power Domain), PD1 = On (High Performance Domain)</b>						
CM33 CPU Sleep, CM55 + U55 Off						
SIDU10C	clk_hf[0] divider = 1	50	50	2.7	12.9	mA
SIDU10D	clk_hf[0,1,2] divider = 2	25	25	3.1	13.3	mA

**(table continues...)**

8 Electrical specifications

**Table 18 (continued) CPU currents, supply powered configuration, VDDD=1.8 V**

Spec ID	Description	CM33 (MHz)	CM55 (MHz)	IDDD		Units
				Typical	Max 70°C	
CM33 Active, execute external Flash octal SPI, SMIF = enabled, SMIF cache disabled, CM55 + U55 Off, clk_hf[3] = Enabled, APP_MMIO1 = Only SMIF enabled, APP_MMIO2 = Disable SOCMEM						
SIDU11C	clk_hf[0] divider = 1	50	50	6.4	28.5	mA
SIDU11D	clk_hf[0,1,2] divider = 2	25	25	4.8	16.4	mA
CM33 CPU Sleep, CM55 CPU Sleep, U55 Off						
SIDU12C	clk_hf[0] divider = 1	50	50	3.5	16.2	mA
SIDU12D	clk_hf[0,1,2] divider = 2	25	25	3.0	15.8	mA
CM33 CPU Sleep, CM55 + U55 CPU Sleep, U55 = Enabled, APP_MMIO2 = Enable SOCMEM and U55						
SIDU13C	clk_hf[0] divider = 1	50	50	3.6	16.8	mA
SIDU13D	clk_hf[0,1,2] divider = 2	25	25	3.1	16.2	mA
CM33 CPU Sleep, CM55 Active execute from RRAM, U55 Off, RRAM enabled						
SIDU14C	clk_hf[0] divider = 1	50	50	4.1	16.8	mA
SIDU14D	clk_hf[0,1,2] divider = 2	25	25	3.4	16.2	mA
CM33 CPU Sleep, CM55 Active execute while(1) from System SRAM, U55 Off, DPLL_LP0 = Disabled, clk_hf[0,1,2] source = CLK_PATH3, clk_hf[0,1,2] divider = 16						
SIDU15B		3.1	3.1	2.4	15.0	mA
CM33 CPU Sleep, CM55 Active execute from System SRAM, U55 Off						
SIDU16C	clk_hf[0,1,2] divider = 1	50	50	4.4	17.3	mA
SIDU16D	clk_hf[0,1,2] divider = 2	25	25	3.3	16.0	mA
CM33 CPU Sleep, CM55 Active execute from TCM, U55 Off						
SIDU18C	clk_hf[0] divider = 1	50	50	4.3	16.5	mA
SIDU18D	clk_hf[0,1,2] divider = 2	25	25	3.3	15.4	mA
CM33 CPU Sleep, CM55 Active execute from external Flash octal SPI, SMIF = enabled, SMIF cache disabled, U55 Off, clk_hf[3] = Enabled, APP_MMIO1 = Only SMIF enabled						
SIDU19C	clk_hf[0] divider = 1	50	50	5.8	17.7	mA
SIDU19D	clk_hf[0,1,2] divider = 2	25	25	4.5	17.7	mA
CM33 Active execute from SRAM, CM55 Active execute from System SRAM, U55 Off						
SIDU20C	clk_hf[0] divider = 1	50	50	4.6	17.1	mA
SIDU20D	clk_hf[0,1,2] divider = 2	25	25	3.5	15.9	mA

**Table 19 CPU currents, deep sleep and hibernate modes, supply powered configuration, VDDD=1.8 V**

Spec ID	Description	IDDD		Units
		Typical	Max 70°C	
<b>Deep Sleep Mode - Core buck regulator enabled, VDDIO currents not included, VCCD = 0.7 V</b>				
SIDDSA	System Deep Sleep, 64 KB SRAM retention, PD1 Disabled	46.3	328.3	µA
SIDDSB	System Deep Sleep, 512 KB SRAM retention, PD1 Disabled	49.8	406.3	µA
SIDDS C	System Deep Sleep, 1 M SRAM retention, PD1 Disabled	53.9	381.5	µA
SIDDSG	System Deep Sleep, 64 KB SRAM retention, PD1 Enabled, CM55 Disabled	51.8	453.5	µA
SIDDSH	System Deep Sleep, 64 KB SRAM + 512 kB System SRAM retention, PD1 Enabled, CM55 Disabled	55.9	487.8	µA
SIDDS D	System Deep Sleep, 64 kB SRAM + 1024 kB System SRAM+TCM retention, PD1 and CM55 Enabled	72.9	652.5	µA
SIDDS E	System Deep Sleep, 64 KB SRAM + 5.5 MB System SRAM+TCM retention, PD1 and CM55 Enabled	106.4	923.4	µA
SIDDS F	System Deep Sleep, 1 MB SRAM + 5.5 MB System SRAM+TCM retention, PD1 and CM55 Enabled	114.5	867.4	µA
SIDDSRA	System Deep Sleep-RAM, 64 KB SRAM retention, PD1 Disabled	37.9	286.8	µA
SIDDSRD	System Deep Sleep-RAM, 1 M SRAM retention, PD1 Disabled	46.1	350.6	µA
SIDDSRB	System Deep Sleep-RAM, 64 kB SRAM + 512 kB System SRAM, PD1 Enabled	46.8	360.8	µA
SIDDSRC	System Deep Sleep-RAM, 64 kB SRAM + 5.0 MB System SRAM retention, PD1 Enabled	80.2	642.0	µA
SIDDSO	System Deep Sleep-OFF, PD1 Disabled	36.1	274.4	µA
<b>Hibernate Mode - VDDIO currents not included</b>				
SIDHIBA	No Clocks	5.6	10.5	µA
SIDHIBB	ILO+WDT	6.7	11.5	µA
SIDHIBC	WCO+RTC	5.7	10.0	µA

**Table 20 Root clock divider frequencies**

**High frequency root clock divider output frequencies**

Spec ID	Parameter	Min	Max			Unit
			HP	LP	ULP	
SIDHF0	CLK_HF[0] – SYSCPUSS, CM33	0	200	80	50	MHz
SIDHF1	CLK_HF[1] – APPCPUSS, GFXSS (GPU, DC), CM55, U55	0	400	140	50	MHz
SIDHF2	CLK_HF[2] - SoCMEM	0	300	110	50	MHz
SIDHF3	CLK_HF[3] – SMIF[0]	0	400	200	50	MHz
SIDHF4	CLK_HF[4] – SMIF[1]	0	400	200	50	MHz
SIDHF5	CLK_HF[5] – SDHC[0], Ethernet	0	208	104	50	MHz
SIDHF6	CLK_HF[6] – SDHC[1], Ethernet	0	208	104	50	MHz
SIDHF7	CLK_HF[7] – I2S, TDM, PDM	0	100	50	25	MHz
SIDHF8	CLK_HF[8] - USB	0	50	50	N/A	MHz
SIDHF9	CLK_HF[9] – Analog, DACs	0	100	50	25	MHz
SIDHF10	CLK_HF[10] – SCB[0, 2-11], CAN, TCPWMs, SMARTI/O	0	100	40	25	MHz
SIDHF11	CLK_HF[11] – SCB[1], I3C	0	200	80	50	MHz
SIDHF12	CLK_HF[12] – MIPI DSI D-PHY PLL reference clock	0	64	N/A	N/A	MHz
SIDHF13	CLK_HF[13] – I3C	0	125	60	25	MHz

**Table 21 Power mode transition times**

Spec ID	Description	Parameter	Min	Typ	Max	Unit
<b>Power mode transition times</b>						
SID13B1	System HP to LP transition time	THP_LP	-	65	78	µs
SID13B2	System HP to ULP transition time	THP_ULP	-	108	110	µs
SID13B3	System LP to ULP transition time	TLP_ULP	-	40	41	µs
SID13B4	System ULP to LP transition time	TULP_LP	-	53	55	µs
SID13B5	System ULP to HP transition time	TULP_HP	-	114	115	µs
SID13B6	System LP to HP transition time	TLP_HP	-	49	62	µs
SID13A1	System Deep Sleep to Active ULP transition time	TDS_ACT	-	27	30	µs
SID13A2	System Deep Sleep to Active LP transition time	TDS_ACT	-	27	28	µs
SID13A3	System Deep Sleep to Active HP transition time	TDS_ACT	-	28	40	µs

(table continues...)

**Table 21 (continued) Power mode transition times**

Spec ID	Description	Parameter	Min	Typ	Max	Unit
SID14A	System Deep Sleep-RAM to Active transition time	TDSR_ACT	-	25.5	-	ms
SID14B	System Deep Sleep-OFF to Active transition time	TDSO_ACT	-	25.5	-	ms
SID14	System Hibernate to Active transition time	THIB_ACT	-	25.5	-	ms

### 8.3 XRES

**Table 22 XRES**

Spec ID	Parameter	Symbol	Values			Unit	Note or test condition
			Min.	Typ.	Max.		

**XRES (Active Low) Specifications**

**XRES AC Specifications**

SID15	POR or XRES release to Active transition time	TXRESACT	-	25.5	-	ms	From XRES release to start of Extended Boot. Does not include required Extended Boot (Cold Boot).
SID16	XRES Pulse width	TXRESPW	5	-	-	µs	
SID16P	Time to establish valid voltage levels before XRES Release	TXRESPWR	60	-	-	µs	

**Extended Boot AC - From start of extended boot to start of main.c**

SID15A	Non secure boot	TEXBOOT	-	29	-	ms	No authentication of initial OEM code
SID15B	Secure boot. 100 KB internal	TEXBOOT	-	200	-	ms	Authenticate initial OEM code in RRAM
SID15C	Secure boot. 100 KB external	TEXBOOT	-	217	-	ms	Authenticate initial OEM code in Octal SPI Flash
SID15D	Secure boot. 5 MB external	TEXBOOT	-	932	-	ms	Authenticate initial OEM code in Octal SPI Flash

(table continues...)

8 Electrical specifications

**Table 22 (continued) XRES**

Spec ID	Parameter	Symbol	Values			Unit	Note or test condition
			Min.	Typ.	Max.		
<b>XRES DC Specifications</b>							
SID17A	IBAT when XRES asserted	TXRESIBAT	-	0.3	-	μA	Battery powered configuration (VBAT = 3.3 V, VDDD = 1.8 V)
	IDDD when XRES asserted	TXRESIDDD	-	1.1	-	μA	
	IDDD when XRES asserted	TXRESIDDD	-	1.2	-	μA	Supply powered configuration (VDDD = 1.8 V)
SID77	Input Voltage high threshold	VIH	0.7*VDD	-	-	V	CMOS Input
SID78	Input Voltage low threshold	VIL	-	-	0.3*VDD	V	CMOS Input
SID80	Input Capacitance	CIN	-	3	-	pF	
SID81	Input voltage hysteresis	VHYSXRES	-	100	-	mV	
SID82	Current through protection diode to VDD/Vss	DIODE	-	-	100	μA	

### 8.4 GPIO

**Table 23 GPIO**

Spec ID	Parameter	Symbol	Values			Unit	Note or test condition
			Min.	Typ.	Max.		
<b>1.8 V GPIO Specifications</b>							
<b>GPIO DC Specifications</b>							
SID57	Input Voltage high threshold	VIH	0.7*VDD	-	-	v	CMOS Input
SID57A	Input current when Pad > VDDIO for OVT inputs	lihs	-	-	10	μA	per 1 <sup>2</sup> C Spec
SID58	Input Voltage low threshold	VIL	-	-	0.3*VDD	V	CMOS Input
SID59	Output Voltage high level	VOH	VDD-0.5	-	-	V	Ioh = 8 mA
SID62A	Output Voltage low level	VOL	-	-	0.4	V	Iol = 8 mA
SID63	Pull-up resistor	RPULLUP	-	50	-	kΩ	
SID64	Pull-down resistor	RPULLDOWN	-	50	-	kΩ	
SID65	Input leakage current(absolute value)	IL	-	-	2	nA	25°C, VDD = 3.0 V
SID66	Input Capacitance	CIN	-	-	5	pF	
SID68	Input hysteresis CMOS	VHYS CMOS	0.05*VDD	-	-	mV	
SID69	Current through protection diode to VDD/VSS	DIODE	-	-	100	C	
SID69A	Maximum Total Source or Sink Chip Current	ITOTGPIO	-	-	200	mA	

(table continues...)



8 Electrical specifications

**Table 23 (continued) GPIO**

Spec ID	Parameter	Symbol	Values			Unit	Note or test condition
			Min.	Typ.	Max.		
<b>GPIO AC Specifications</b>							
SID70	Rise time in Fast Strong Mode. 10% to 90% of VDD	TRISEF	-	-	2.5	ns	Load = 15 pF, 8 mA drive strength
SID71	Fall time in Fast Strong Mode. 10% to 90% of VDD	TFALLF	-	-	2.5	ns	Load = 15 pF, 8 mA drive strength
SID73G	Fall time (30% to 70% of VDD) in Slow Strong mode	TFALL12C	20*VDDIO/5.5	-	250	ns	Load = 10 pF to 400 pF, 8 mA drive strength
SID74	GPIO Fout. Fast Strong mode	FGPIOUT1	-	-	100	MHz	90/10%, 15 pF load, 60/40 duty cycle
SID75	GPIO Fout. Slow Strong mode	FGPIOUT2	-	-	5	MHz	90/10%, 15 pF load, 60/40 duty cycle
SID76	GPIO Fout. Fast Strong mode	FGPIOUT3	-	-	100	MHz	90/10%, 25 pF load, 60/40 duty cycle
SID245	GPIO Fout. Slow Strong mode	FGPIOUT4	-	-	5	MHz	90/10%, 25 pF load, 60/40 duty cycle
SID246	GPIO input operating frequency. 1.71 V ≤ VDDIO ≤ 1.89 V	FGPIOIN	-	-	100	MHz	90/10% Vio

**1.8 V HS GPIO Specifications**

**GPIO DC Specifications**

SID57HS	Input Voltage high threshold	VIH	0.7*VDD	-	-	V	CMOS Input
SID57AHS	Input current when Pad > VDDIO for OVT inputs	lihs	-	-	10	µA	per 1 <sup>2</sup> C Spec
SID58HS	Input Voltage low threshold	VIL	-	-	0.3*VDD	V	CMOS Input
SID59HS	Output Voltage high level	VOH	VDD-0.5	-	-	V	Ioh = 8 mA
SID62AHS	Output Voltage low level	VOL	-	-	0.4	V	Iol = 8 mA
SID63HS	Pull-up resistor	RPULLUP	-	50	-	kΩ	
SID64HS	Pull-down resistor	RPULLDOWN	-	50	-	kΩ	
SID65HS	Input leakage current (absolute value)	IIL	-	-	2	nA	25°C, VDD=3.0 V
SID66HS	Input Capacitance	CIN	-	-	5	pF	
SID68HS	Input hysteresis CMOS	VHYSCMOS	0.05*VDD	-	-	mV	
SID69HS	Current through protection diode to VDD/VSS	IDIODE	-	-	100	µA	
SID69AHS	Maximum Total Source or Sink Chip Current	ITOTGPIO	-	-	200	mA	

(table continues...)

8 Electrical specifications

**Table 23 (continued) GPIO**

Spec ID	Parameter	Symbol	Values			Unit	Note or test condition
			Min.	Typ.	Max.		
<b>GPIO AC Specifications</b>							
SID70HS	Rise time in Fast Strong Mode. 10% to 90% of VDD	TRISEF	-	-	1.2	ns	Clod = 15 pF, 8 mA drive strength
SID71HS	Fall time in Fast Strong Mode. 10% to 90% of VDD	TFALLF	-	-	1.2	ns	Clod = 15 pF, 8 mA drive strength
SID74HS	GPIO Fout. Fast Strong mode	FGPIOUT1	-	-	208	MHz	90/10%, 15 PF load, 60/40 duty cycle
SID76HS	GPIO Fout. Fast Strong mode	FGPIOUT3	-	-	208	MHz	90/10%, 25 PF load, 60/40 duty cycle
SID246HS	GPIO input operating frequency. 1.71 V<=VDD<=1.89 V	FGPIOIN	-	-	208	MHz	90/10% Vio

**3.3 V GPIO Specifications**

**GPIO DC Specifications**

SID57H	Input Voltage high threshold	VIH	0.7*VDD	-	-	V	CMOS Input
SID57AH	Input current when Pad > VDDIO for OVT inputs	lihs	-	-	10	µA	per 1 <sup>2</sup> C Spec
SID58H	Input Voltage low threshold	VIL	-	-	0.3*VDD	V	CMOS Input
SID59H	Output Voltage high level	VOH	VDD-0.5	-	-	V	Ioh = 8 mA
SID62AH	Output Voltage low level	VOL	-	-	0.4	V	Iol = 8 mA
SID63H	Pull-up resistor	RPULLUP	-	50	-	kΩ	
SID64H	Pull-down resistor	RPULLDOWN	-	50	-	kΩ	
SID65H	Input leakage current (absolute value)	IIL	-	-	2	nA	25°C, VDD=3.0 V
SID66H	Input Capacitance	CIN	-	-	5	pF	
SID68H	Input hysteresis CMOS	VHYSCMOS	0.05*VDD	-	-	mV	
SID69H	Current through protection diode to VDD/VSS	DIODE	-	-	100	µA	
SID69AH	Maximum Total Source or Sink Chip Current	ITOT_GPIO	-	-	200	mA	

**GPIO AC Specifications**

SID70H	Rise time in Fast Strong Mode. 10% to 90% of VDD	TRISEF	-	-	5	ns	Clod = 15 pF, 8 mA drive strength
SID71H	Fall time in Fast Strong Mode. 10% to 90% of VDD	TFALLF	-	-	5	ns	Clod = 15 pF, 8 mA drive strength
SID74H	GPIO Fout. Fast Strong mode	FGPIOUT1	-	-	50	MHz	90/10%, 15 pF load, 60/40 duty cycle

(table continues...)

**Table 23 (continued) GPIO**

Spec ID	Parameter	Symbol	Values			Unit	Note or test condition
			Min.	Typ.	Max.		
SID75H	GPIO Fout, Slow Strong mode	FGPIOUT2	-	-	0.8	MHz	90/10%, 15 pF load, 60/40 duty cycle
SID76H	GPIO Fout. Fast Strong mode	FGPIOUT3	-	-	50	MHz	90/10%, 25 pF load, 60/40 duty cycle
SID245H	GPIO Fout. Slow Strong mode	FGPIOUT4	-	-	0.8	MHz	90/10%, 25 pF load, 60/40 duty cycle
SID246H	GPIO input operating frequency. 1.71 V ≤ VDD ≤ 3.6 V	FGPIOIN	-	-	50	MHz	90/10% Vio

## 8.5 Analog peripherals

### 8.5.1 Autonomous analog specifications

**Table 24 Autonomous analog specifications**

Spec ID	Description	Symbol	Values			Unit	Note or test condition
			Min.	Typ.	Max.		
SIDW39	Analog Supply Voltage	VDD18	1.71	1.8	1.89	V	
SIDW40a	Current Consumption for VAD (PTComp + CTB Opamp + ADC, 12b-16 ksps)	ITOT-Audio	-	100	-	µA	SAR running at 16 ksps, dutycycled in the system Deep Sleep mode. FIFO is storing 10 ms of data from SAR. Op Amp, PTComp and referencesplus clocks enabled
SIDW41	Power Down Current for the Autonomous Analog	IleakLPPASS	-	1	-	µA	All blocks off, 25°C, 1.8 V VDDA, 0.7 V Vccd
SIDW54b	Start Up time of Autonomous Analog from power down	Tstart Up	-	25	-	µs	Startup time of sub-blocks not included

## 8.5.2 LP Comparator

**Table 25 LP Comparator**

Spec ID	Parameter	Symbol	Values			Unit	Note or test condition
			Min.	Typ.	Max.		
<b>LP Comparator DC Specifications</b>							
SID84	Input offset voltage for COMPI. Normal power mode	VOFFSET1	-5	-	5	mV	
SID85A	Input offset voltage. Low-power mode	VOFFSET2	-10	-	10	mV	
SID85B	Input offset voltage. Ultra low-power mode	VOFFSET3	-10	-	10	mV	
SID86	Hysteresis when enabled in Normal mode	VHYST1	-	-	60	mV	
SID86A	Hysteresis when enabled in Low-power mode	VHYST2	-	-	80	mV	
SID87	Input common mode voltage in Normal mode	VICM1	0	-	VDDIO1 -0.1	V	
SID247	Input common mode voltage in Low power mode	VICM2	0	-	VDDIO1 -0.1	V	
SID247A	Input common mode voltage in Ultra low power mode	VICM3	0	-	VDDIO1 -0.1	V	
SID88	Common mode rejection ratio in Normal power mode	CMRR	50	-	-	dB	
SID88A	Power Supply Rejection Ratio ≤ 500 kHz	PSRR	55	-	-	dB	
SID89	Block Current, Normal mode	ICMP1	-	-	150	μA	
SID248	Block Current, Low power mode	ICMP2	-	-	10	μA	
SID259	Block Current in Ultra low power mode	ICMP3	-	0.3	0.85	μA	
SID90	DC Input impedance of comparator	ZCMP	35	-	-	MΩ	
<b>LPComparator AC Specifications</b>							
SID91	Response time, Normal mode, 100 mV overdrive	TRESP1	-	-	100	ns	
SID258	Response time, Low power mode, 100 mV overdrive	TRESP2	-	-	1000	ns	
SID92	Response time, Ultra-low power mode, 100 mV overdrive	TRESP3	-	-	7	μs	
SID92E	Time from Enabling to operation	TCMPEN1	-	-	10	μs	Normal and Lowpower modes
SID92F	Time from Enabling to operation	TCMPEN2	-	-	50	μs	Ultra low-power mode

### 8.5.3 ADC

**Table 26 ADC**

Spec ID	Description	Symbol	Values			Unit	Note or test condition
			Min.	Typ.	Max.		
SIDW45	Numerical resolution of ADC results	Res	12	-	20	bits	With accumulation (oversampling)
SIDW52a	Conversion Rate of ADC in HS mode, continuous conversion of one channel	CR1	-	-	4	Msp	Sequential sampling, 80 MHz Fclk
SIDW52b	Conversion Rate of ADC in HS mode, continuous conversion of four channels with simultaneous sampling	CR2	-	-	5	Msp	Simultaneous Sampling Mode
SIDW52c	Conversion Rate of ADC in LP mode (system Deep Sleep mode), continuous conversion of one channel	CR3	-	-	200	ksps	Sample Rate in system ULP or Deep Sleep
SIDW47b	Clock of ADC in HS mode (available only in system Active mode)	ADCClkHF	4.1	-	80	MHz	
SIDW47a	Clock of ADC in LP mode (available in system Deep Sleep mode)	ADCClkLP	-	4.1	-	MHz	1% clock accuracy

**Input from GPIOs, ADC unbuffered (Buffers bypassed)**

SIDAD000	Average current from VDDA for ADC in HS mode, all channels	IDDA_HS	-	-	3.05	mA	
SIDAD002	Average VDDA current for ADC in LP mode, 100% duty cycled	IDDA_LP	-	-	410	µA	
SIDW42	Differential input voltage range of LP ADC	VDIFFSAR	-VREF	-	VREF	V	VREF of SAR ADC is in range 0.9 V to VDDA
SIDW43	Input common mode voltage of HS/LP ADC	VICMSAR	-	-	VDDA	V	Switched Capacitor frontend can hold 0 to Vdda.
SIDAD005	Input leakage current of ADC in HS mode while sampling	ip_leak_hs	-	-	450	nA	
SIDAD006	INL of ADC in HS mode	INL_hs	-2	-	2	LSBs	
SIDAD007	DNL of ADC in HS mode	DNL_hs	-1	-	2	LSBs	
SIDAD008	Analog offset of ADC in HS mode, calibrated	ofst_hs	-1	-	1	mV	

(table continues...)

8 Electrical specifications

**Table 26 (continued) ADC**

Spec ID	Description	Symbol	Values			Unit	Note or test condition
			Min.	Typ.	Max.		
SIDAD009	Gain error of ADC in HS mode, with internal bandgap reference (VBGR, 0.9 V)	gerr_hs	-1	-	1	%	
SIDAD011	Input leakage current of ADC in LP mode while sampling	ip_leak_lp	-350	-	350	nA	
SIDAD012	INL of ADC in LP mode	INL_lp	-2	-	2	LSBs	
SIDAD013	DNL of ADC in LP mode	DNL_lp	-1	-	2	LSBs	
SIDAD014	Analog offset of ADC in LP mode, calibrated	ofst_lp	-1	-	1	mV	
SIDAD015	Gain error of ADC in LP mode, with internal bandgap reference (VBGR, 0.9 V)	gerr_lp	-1	-	1	%	
SIDW50a	SINAD of ADC in HS mode, VDDA as reference, 4 Msp, 80 MHz clock	SINADHF12b	-	63	-	dB	10 kHz sine wave input
SIDW50c	SINAD of ADC in HS mode, with VDDA as the reference, 125 ksps with 32 samples accumulated (16 b), 80 MHz clock	SINADHF16b	-	75	-	dB	10 kHz sine wave input

**Input from GPIOs, ADC buffered (Buffer in Low, Rail to Rail power mode)**

SIDAD022	Average current from VDDA for ADC in HS mode, one channel	IDDA_HS	-	-	3.2	mA	
SIDAD024	Average current from VDDA for ADC in LP mode, 100% duty cycled	IDDA_LP	-	-	650	µA	
SIDAD026	Average current from VDDA for ADC in LP mode, 16 ksps, duty cycled	IDDA_LP_16ksps	-	-	50	µA	
SIDW40b	Average current from VDDA for ADC in LP mode, 1 ksps, duty cycled	ITOT-HRV	-	20	-	µA	4 MHz Oscillator
SIDAD030	Offset voltage of ADC buffer	ofst_buffer	-1	-	1	mV	
SIDAD031	Gain error of ADC buffer	gerr_buffer	-0.1	-	0.1	%	
SIDAD032	Temperature sensor accuracy	temp_acc	-5	-	5	°C	
SIDAD033	Temperature sensor Current from VDDA	temp_idda	-	-	4	µA	

(table continues...)

8 Electrical specifications

**Table 26 (continued) ADC**

Spec ID	Description	Symbol	Values			Unit	Note or test condition
			Min.	Typ.	Max.		
SIDAD035	Input leakage of ADC buffers	ip_leak	-150	-	150	nA	
SIDAD036	INL of ADC in HS mode, with internal bandgap reference (VBGR, 0.9 V)	INL_hs	-2	-	2	LSBs	
SIDAD037	DNL of ADC in HS mode, with internal bandgap reference (VBGR, 0.9 V)	DNL_hs	-1	-	2	LSBs	
SIDAD038	Analog offset of ADC in HS mode and buffer combined	ofst_chan_hs	-2	-	2	mV	
SIDAD039	Gain error of ADC in HS mode and buffer combined, with internal bandgap reference (VBGR, 0.9 V)	gerr_chan_hs	-1	-	1	%	
SIDAD040	Gain error of ADC in HS mode and buffer combined, with external (off-chip) reference	gerr_chan_hs_ext	-1	-	1	%	
SIDAD041	INL of ADC in LP mode, with internal bandgap reference (VBGR, 0.9 V)	INL_lp	-2	-	2	LSBs	
SIDAD042	DNL of ADC in LP mode, with internal bandgap reference (VBGR, 0.9 V)	DNL_lp	-1	-	2	LSBs	
SIDAD043	Analog offset of ADC in LP mode and buffer combined	ofst_chan_lp	-2	-	2	mV	
SIDAD044	Gain error of ADC in LP mode and buffer combined, with internal bandgap reference (VBGR, 0.9 V)	gerr_chan_lp	-1	-	1	%	
SIDAD045	Gain error of ADC in LP mode and buffer combined, with external (off-chip) reference	gerr_chan_lp_ext	-1	-	1	%	
SIDAD046	Startup time of ADC channel buffers	t_buff_startup	-	5	-	µS	
SIDAD047	Settling time at input of ADC, differential input swing from VDDA-400 mV to VDDA+400 mV	t_settle	-	2	-	µS	
SIDAD048	Temperature sensor startup time, from enabled to settled at ADC input	temp_startup	-	15	-	µS	

**Bandgap reference specs (table continues...)**

8 Electrical specifications

**Table 26 (continued) ADC**

Spec ID	Description	Symbol	Values			Unit	Note or test condition
			Min.	Typ.	Max.		
SIDW46	Bandgap reference voltage (VBGR)	VREF	-	0.9	-	V	With an accuracy of +/- 1%
SIDAD064	Current from VDDA for the bandgap reference	IDD_VBG	-	25	50	µA	
SIDAD065	Percentage variation of the bandgap voltage at room temperature, with respect to VDDA, trimmed (Vmax-Vmin)/Vtyp x 100	VBG_VDD	-0.3	-	0.3	%	
SIDAD066	Bandgap voltage temperature coefficient, trimmed [-40°C,125°C] temp co =(Vmax-Vmin)/{Vnom x (Tmax-Tmin)} x 1E6	VBG_TEM PJ	-	-	40	ppm/°C	

**8.5.4 DAC**

**Table 27 DAC**

Spec ID	Parameter	Symbol	Values			Unit	Note or test condition
			Min.	Typ.	Max.		
SID108D	Numerical Resolution of DAC	DACRES	-	-	12	bits	
SID109D	Settling time of buffered DAC with a 25 pF load capacitance	DACCONV	-	-	2	µs	
SID111D	Maximum Refresh Rate of DAC	DACRate	-	-	1.024	MHz	
SIDDA000	Current from VDDA, unbuffered DAC ("Direct" topologies), VDDA reference	IDDA_ctdac_v ddaref	-	92	133	µA	
SIDDA001	Current from VDDA, unbuffered DAC ("Direct" topologies), internal bandgap reference (VBGR, 0.9 V)	IDDA_ctdac_v ref0p9	-	418	700	µA	
SIDDA002	Current from VDDA buffered DAC (buffer power mode: Medium), VDDA as reference	IDDA_ctdac_buf_vddaref	-	2288	3100	µA	
SIDDA003	Current from VDDA, buffered DAC (buffer power mode: Medium), internal bandgap reference (VBGR, 0.9 V)	IDDA_ctdac_buf_vref0p9	-	2493	3500	µA	
SIDDA004	Average current from VDDA, buffered DAC (buffer power mode: Ultra-Low), 10% duty cycle, Sample and Hold enabled, VDDA reference	IDDA_duty_ct dac_buf_sh_vddaref	-	25	80	µA	

(table continues...)



**Table 27 (continued) DAC**

Spec ID	Parameter	Symbol	Values			Unit	Note or test condition
			Min.	Typ.	Max.		
SIDDA005	Average current from VDDA, buffered DAC (buffer power mode: Ultra-Low), 10% duty cycle, Sample and Hold enabled, internal bandgap reference (VBGR, 0.9 V)	IDDA_duty_ct dac_buf_sh_ vref0p9	-	448	710	µA	
SIDDA006	Average current from VDDD for DAC	IDDD_dac	-	1	7	µA	
SID111D	Integral Non-Linearity of DAC	DACINL	-4	-	4	LSBs	
SID112D	Differential Non-Linearity of DAC	DACDNL	-2	-	2	LSBs	
SID99D	Offset error with input code = 0x000 unsigned	DACOFFSET	-10	-	10	mV	
SIDDA007	Gain error of unbuffered DAC	GAINERR	-1	-	1	%	
SIDDA008	Gain error of buffered DAC	GAINERR_BU F	-1	-	1	%	
SIDDA009	Output resistance of unbuffered DAC	RO_enable	5	-	16	kΩ	
SID103D	Output impedance of buffered DAC	DACOUTRES	-	-	1	Ω	
SID104D	Value of Sample and Hold capacitors combined	DACCAP	-	-	50	pF	
SIDDA010	Output voltage range of unbuffered DAC	VRANGE	0	-	VDDA	V	
SIDDA011	Output voltage range of buffered DAC, buffer in a "rail to rail" power mode	VRANGE_BUF	0.2	-	VDDA-1 VDDA-0. 2*	V	
SIDDA012	DC PSRR of buffered output	PSRR	-	-40	-	dB	
SIDDA013	DAC offset (output when input code = 0x000 unsigned, with respect to the VSSA)	Offset	-	-	3	mV	
SIDDA014	Drift in DAC offset across temperature (-40°C to 125°C) at constant code input and VDDA	Offset Drift	-	20	-	µV/C	
SIDDA015	Temperature coefficient of DAC output voltage (mid-scale code) (-40°C to 125°C)	Tempco	-	-	20	V/C	
SIDDA016	Analog output settling time of DAC from disabled state, VDDA reference	tsen_vddaref	-	-	1.4	µs	
SIDDA017	Analog output settling time of DAC from disabled state, internal bandgap reference (VBGR, 0.9 V)	tsen_vre0p9	-	-	1.4	µs	

(table continues...)

8 Electrical specifications

**Table 27 (continued) DAC**

Spec ID	Parameter	Symbol	Values			Unit	Note or test condition
			Min.	Typ.	Max.		
SIDDA018	Maximum hold time	thold	100	-	-	µs	
SID110D	Wake-Up time (from enabling to ready for conversion)	DACWakeup	-	-	10	µs	

### 8.5.5 CTBL Op Amp

**Table 28 CTBL Op Amp**

Spec ID	Parameter	Symbol	Values			Unit	Note or test condition
			Min.	Typ.	Max.		

**Current from VDDA for one Opamp, Output driving a pin**

SIDOA000	Ultra-Low power mode, input common mode voltage from 0.2 to VDDA-1 V	Idd_ultralow_10x	-	15	45	µA	
SIDOA001	Ultra-Low power mode, Rail-to-Rail inputs, input common mode voltage 0.2 to VDDA-0.2 V	Idd_ultralow_10x	-	35	60	µA	
SIDOA002	Low power mode, Rail-to-Rail inputs, input common mode voltage 0.2 to VDDA-0.2 V	Idd_low_10x	-	150	200	µA	
SIDOA003	Medium power mode, Rail-to-Rail inputs, input common mode voltage 0.2 to VDDA-0.2 V	Idd_med_10x	-	300	350	µA	
SIDOA004	High power mode, Rail-to-Rail inputs, input common mode voltage 0.2 to VDDA-0.2 V	Idd_hi_10x	-	800	920	µA	
SIDOA005	Ultra-High power mode, Rail-to-Rail inputs, input common mode voltage 0.2 to VDDA-0.2 V	Idd_ultrahi_10x	-	1300	1500	µA	

**Current from VDDA for one Opamp, Internal-drive only**

SIDOA006	Ultra-Low power mode, common mode voltage from 0.2 to VDDA-1 V	Idd_ultralow_1x	-	15	30	µA	
SIDOA007	Ultra-Low power mode, Rail-to-Rail inputs, input common mode voltage 0.2 to VDDA-0.2 V	Idd_ultralow_1x	-	35	60	µA	
SIDOA008	Low power mode, Rail-to-Rail inputs, input common mode voltage 0.2 to VDDA-0.2 V	Idd_low_1x	-	150	200	µA	
SIDOA009	Medium power mode, Rail-to-Rail inputs, input common mode voltage 0.2 to VDDA-0.2 V	Idd_med_1x	-	200	250	µA	

(table continues...)

8 Electrical specifications

**Table 28 (continued) CTBL Op Amp**

Spec ID	Parameter	Symbol	Values			Unit	Note or test condition
			Min.	Typ.	Max.		
SIDOAO10	High power mode, Rail-to-Rail inputs, input common mode voltage 0.2 to VDDA-0.2 V	Idd_hi_1x	-	600	700	µA	
SIDOAO11	Ultra-High power mode, Rail-to-Rail inputs, input common mode voltage 0.2 to VDDA-0.2 V	Idd_ultrahi_1x	-	800	1000	µA	

**Output Drive Capability, Driving a pin**

SIDOAO12	Ultra-Low power mode, output 200 mV from rail , output voltage change <2 mV	Iout_max_ult_ralow_10x	-	-	10	µA	
SIDOAO13	Low power mode, output 200 mV from rail, output voltage change <1 mV	Iout_max_low_10x	-	-	100	µA	
SIDOAO14	Medium power mode, output 200 mV from rail, output voltage change <1 mV	Iout_max_med_10x	-	-	500	µA	
SIDOAO15	High power mode, output 200 mV from rail, output voltage change <1 mV	Iout_max_hi_10x	-	-	1000	µA	
SIDOAO16	Ultra-High power mode, output 200 mV from rail, ,output voltage change <1 mV	Iout_max_ultrahi_10x	-	-	10000	µA	

**Output Drive Capability, Internal-Drive only**

SIDOAO17	Ultra-Low power mode, output 200 mV from rail , output voltage change <2 mV	Iout_max_1x_ultralow	-	-	1	µA	
SIDOAO18	Low power mode, output 200 mV from rail, output voltage change <1 mV	Iout_max_1x_low	-	-	10	µA	
SIDOAO19	Medium power mode, output 200 mV from rail, output voltage change <1 mV	Iout_max_1x_med	-	-	25	µA	
SIDOAO20	High power mode, output 200 mV from rail, output voltage change <1 mV	Iout_max_1x_hi	-	-	100	µA	
SIDOAO21	Ultra-High power mode, output 200 mV from rail, ,output voltage change <1 mV	Iout_max_1x_Ultrahi	-	-	200	µA	

**Output Voltage Range**

SIDOAO22	Ultra-High power mode, output driving pin, 10 mA	Vout_1_10x_10mA_ultrahi	0.5	-	VDDA-0.5	V	
SIDOAO23	High power mode, output driving pin, 1 mA	Vout_2_10x_1mA_hi	0.2	-	VDDA-0.2	V	

(table continues...)

8 Electrical specifications

**Table 28 (continued) CTBL Op Amp**

Spec ID	Parameter	Symbol	Values			Unit	Note or test condition
			Min.	Typ.	Max.		
SIDOAO24	Medium power mode, output driving pin, 1 mA	Vout_3_10x_1mA_med	0.2	-	VDDA-0.2	V	
SIDOAO25	Low power mode, output driving pin, 0.1 mA	Vout_4_10x_0.1mA_lo	0.2	-	VDDA-0.2	V	

**Input Voltage Range**

SIDOAO26	Input Voltage Range, Ultra-Low power mode	Vin_pump_of	0	-	VDDA-1	V	
SIDOAO27	Input Voltage Range, power mode with Rail-to-Rail inputs	Vin_pump_o	0	-	VDDA-0.2	V	

**Offset Voltage, trimmed**

SIDOAO28	Ultra-High power mode, output driving pin	Vos_tr_10x_u	-1	-	1	mV	
SIDOAO29	High power mode, output driving pin	Vos_tr_10x_h	-1	-	1	mV	
SIDOAO30	Medium power mode, output driving pin	Vos_tr_10x_med	-1	-	1	mV	
SIDOAO31	Ultra-High power mode, internal drive-only	Vos_tr_1x_ult	-1	-	1	mV	
SIDOAO32	High power mode, internal drive-only	Vos_tr_1x_hi	-1	-	1	mV	
SIDOAO33	Medium power mode, internal drive-only	Vos_tr_1x_med	-1	-	1	mV	
SIDOAO34	Offset trim step, output driving pin	Vos_step_10x_hi	300	-	500	μV	
SIDOAO35	Offset trim step, internal drive-only	Vos_step_1x_hi	300	-	500	μV	

**Offset Temperature Drift**

SIDOAO36	Output driving pin, Medium power mode	Vos_dr_tr_10x_med	-10	-	10	μV/C	
SIDOAO37	Output driving pin, High power mode	Vos_dr_tr_10x_hi	-10	-	10	μV/C	
SIDOAO38	Output driving pin, Ultra-High power mode	Vos_dr_tr_10x_Ultrahi	-10	-	10	μV/C	
SIDOAO39	Internal drive-only, Medium power mode	Vos_dr_tr_1x_med	-10	-	10	μV/C	
SIDOAO40	Internal drive-only, High power mode	Vos_dr_tr_1x_hi	-10	-	10	μV/C	
SIDOAO41	Internal drive-only, Ultra-High power mode	Vos_dr_tr_1x_Ultrahi	-10	-	10	μV/C	

(table continues...)

**Table 28 (continued) CTBL Op Amp**

Spec ID	Parameter	Symbol	Values			Unit	Note or test condition
			Min.	Typ.	Max.		
<b>Common mode rejection ratio, Rail to Rail inputs (common mode voltage 0.2 to VDDA-0.2 V)</b>							
SIDOA042	Ultra-Low power mode, output driving pin	CMRR_ultralow_10x	-40	-	-	dB	
SIDOA043	Low power mode, output driving pin	CMRR_low_10x	-40	-	-	dB	
SIDOA044	Medium power mode, output driving pin	CMRR_med_10x	-40	-	-	dB	
SIDOA045	High power mode, output driving pin	CMRR_hi_10x	-40	-	-	dB	
SIDOA046	Ultra-High power mode, output driving pin	CMRR_ultrahi_10x	-40	-	-	dB	
SIDOA047	Ultra-Low power mode, internal drive-only	CMRR_ultralow_1x	-40	-	-	dB	
SIDOA048	Low power mode, internal drive-only	CMRR_low_1x	-40	-	-	dB	
SIDOA049	Medium power mode, internal drive-only	CMRR_med_1x	-40	-	-	dB	
SIDOA050	High power mode, internal drive-only	CMRR_hi_1x	-40	-	-	dB	
SIDOA051	Ultra-High power mode, internal drive-only	CMRR_ultrahi_1x	-40	-	-	dB	
SIDOA052	Input leakage current from CTB port pin	Input Leakage	-	2	800	nA	
<b>Power Supply rejection ratio (DC), Rail to Rail inputs (common mode voltage 0.2 to VDDA-0.2 V)</b>							
SIDOA053	Ultra-Low power mode, output driving pin	PSRR_ultralow_10x	-45	-	-	dB	
SIDOA054	Low power mode, output driving pin	PSRR_low_10x	-45	-	-	dB	
SIDOA055	Medium power mode, output driving pin	PSRR_med_10x	-45	-	-	dB	
SIDOA056	High power mode, output driving pin	PSRR_hi_10x	-45	-	-	dB	
SIDOA057	Ultra-High power mode, output driving pin	PSRR_ultrahi_10x	-45	-	-	dB	
SIDOA058	Ultra-Low power mode, internal drive-only	PSRR_ultralow_1x	-45	-	-	dB	
SIDOA059	Low power mode, internal drive-only	PSRR_low_1x	-45	-	-	dB	
SIDOA060	Medium power mode, internal drive-only	PSRR_med_1x	-45	-	-	dB	

(table continues...)

8 Electrical specifications

**Table 28 (continued) CTBL Op Amp**

Spec ID	Parameter	Symbol	Values			Unit	Note or test condition
			Min.	Typ.	Max.		
SIDOA061	High power mode, internal drive-only	PSRR_hi_1x	-45	-	-	dB	
SIDOA062	Ultra-High power mode, internal drive-only	PSRR_ultrahi_1x	-45	-	-	dB	

**Power Supply rejection ratio at 1 kHz, Rail to Rail inputs (common mode voltage 0.2 to VDDA-0.2 V)**

SIDOA063	Ultra-Low power mode, output driving pin	PSRR_ultralow_10x	-45	-	-	dB	
SIDOA064	Low power mode, output driving pin	PSRR_low_10x	-45	-	-	dB	
SIDOA065	Medium power mode, output driving pin	PSRR_med_10x	-45	-	-	dB	
SIDOA066	High power mode, output driving pin	PSRR_hi_10x	-45	-	-	dB	
SIDOA067	Ultra-High power mode, output driving pin	PSRR_ultrahi_10x	-45	-	-	dB	
SIDOA068	Ultra-Low power mode, internal drive-only	PSRR_ultralow_1x	-45	-	-	dB	
SIDOA069	Low power mode, internal drive-only	PSRR_low_1x	-45	-	-	dB	
SIDOA070	Medium power mode, internal drive-only	PSRR_med_1x	-45	-	-	dB	
SIDOA071	High power mode, internal drive-only	PSRR_hi_1x	-45	-	-	dB	
SIDOA072	Ultra-High power mode, internal drive-only	PSRR_ultrahi_1x	-45	-	-	dB	

**Open loop Gain, Rail to Rail inputs (common mode voltage 0.2 to VDDA-0.2 V)**

SIDOA073	Ultra-Low power mode, output driving pin	Gain_Ultralow_10x	60	-	-	dB	
SIDOA074	Low power mode, output driving pin	Gain_Low_10x	70	-	-	dB	
SIDOA075	Medium power mode, output driving pin	Gain_Med_10x	70	-	-	dB	
SIDOA076	High power mode, output driving pin	Gain_Hi_10x	70	-	-	dB	
SIDOA077	Ultra-High power mode, output driving pin	Gain_Ultrahi_10x	70	-	-	dB	
SIDOA078	Ultra-Low power mode, internal drive-only	Gain_Ultralow_1x	60	-	-	dB	
SIDOA079	Low power mode, internal drive-only	Gain_Low_1x	70	-	-	dB	

(table continues...)

**Table 28 (continued) CTBL Op Amp**

Spec ID	Parameter	Symbol	Values			Unit	Note or test condition
			Min.	Typ.	Max.		
SIDOA080	Medium power mode, internal drive-only	Gain_Med_1x	70	-	-	dB	
SIDOA081	High power mode, internal drive-only	Gain_Hi_1x	70	-	-	dB	
SIDOA082	Ultra-High power mode, internal drive-only	Gain_UltraHi_1x	70	-	-	dB	

**Input voltage noise spectral density at 100 kHz, common mode input voltage at VDDA/2**

SIDOA083	Ultra-Low power mode, output driving pin	Vnoise_Ultralow_10x_100k	-	-	200	nV/ √Hz	
SIDOA084	Low power mode, output driving pin	Vnoise_Low_10x_100k	-	-	80	nV/ √Hz	
SIDOA085	Medium power mode, output driving pin	Vnoise_Med_10x_100k	-	-	70	nV/ √Hz	
SIDOA086	High power mode, output driving pin	Vnoise_Hi_10x_100k	-	-	60	nV/ √Hz	
SIDOA087	Ultra-High power mode, output driving pin	Vnoise_UltraHi_10x_100k	-	-	50	nV/ √Hz	
SIDOA088	Ultra-Low power mode, internal drive-only	Vnoise_Ultralow_1x_100k	-	-	500	nV/ √Hz	
SIDOA089	Low power mode, internal drive-only	Vnoise_Low_1x_100k	-	-	80	nV/ √Hz	
SIDOA090	Medium power mode, internal drive-only	Vnoise_Med_1x_100k	-	-	70	nV/ √Hz	
SIDOA091	High power mode, internal drive-only	Vnoise_Hi_1x_100k	-	-	60	nV/ √Hz	
SIDOA092	Ultra-High power mode, internal drive-only	Vnoise_UltraHi_1x_100k	-	-	50	nV/ √Hz	

**Phase Margin, Rail to Rail inputs (common mode voltage 0.2 to VDDA-0.2 V), 50 pF load, Output driving pin**

SIDOA113	Ultra-Low power mode, compensation trim = 1	PM_Ultralow_10x	40	60	-	deg	
SIDOA114	Low power mode, compensation trim = 2	PM_Low_10x	40	60	-	deg	
SIDOA115	Medium power mode, compensation trim = 2	PM_Med_10x	40	60	-	deg	
SIDOA116	High power mode, compensation trim = 2	PM_Hi_10x	40	60	-	deg	
SIDOA117	Ultra-High power mode, compensation trim = 2	PM_UltraHi_10x	40	60	-	deg	

**Phase Margin, Rail to Rail inputs (common mode voltage 0.2 to VDDA-0.2 V), 15 pF load, internal-drive only**

SIDOA118	Ultra-Low power mode, compensation trim = 2	PM_Ultralow_1x	40	60	-	deg	
----------	---	----------------	----	----	---	-----	--

(table continues...)

**Table 28 (continued) CTBL Op Amp**

Spec ID	Parameter	Symbol	Values			Unit	Note or test condition
			Min.	Typ.	Max.		
SIDOA119	Low power mode, compensation trim = 3	PM_Low_1x	40	60	-	deg	
SIDOA120	Medium power mode, compensation trim = 4	PM_Med_1x	40	60	-	deg	
SIDOA121	High power mode, compensation trim = 4	PM_Hi_1x	40	60	-	deg	
SIDOA122	Ultra-High power mode, compensation trim = 5	PM_Ultrahi_1x	40	60	-	deg	

**Gain-Bandwidth product (GBW), Rail to Rail inputs common mode voltage 0.2 to VDDA-0.2 V), Output driving pin, 50 pF load**

SIDOA123	Ultra-Low power mode, compensation trim = 1	GBW_Ultralow_10x	0.1	0.15	-	MHz	
SIDOA124	Low power mode, compensation trim = 2	GBW_Low_10x	1.2	1.5	-	MHz	
SIDOA125	Medium power mode, compensation trim = 2	GBW_Med_10x	2.4	3	-	MHz	
SIDOA126	High power mode, compensation trim = 2	GBW_Hi_10x	6	7.5	-	MHz	
SIDOA127	Ultra-High power mode, compensation trim = 2	GBW_Ultrahi_10x	7.5	12	-	MHz	

**Gain-Bandwidth product (GBW), Rail to Rail inputs (common mode voltage 0.2 to VDDA-0.2 V), internal-drive only, 15 pF load**

SIDOA128	Ultra-Low power mode, compensation trim = 2	GBW_Ultralow_1x	0.03	0.15	-	MHz	
SIDOA129	Low power mode, compensation trim = 3	GBW_Low_1x	0.35	1.5	-	MHz	
SIDOA130	Medium power mode, compensation trim = 4	GBW_Med_1x	0.7	3	-	MHz	
SIDOA131	High power mode, compensation trim = 4	GBW_Hi_1x	1.75	7.5	-	MHz	
SIDOA132	Ultra-High power mode, compensation trim = 5	GBW_Ultrahi_1x	2.8	12	-	MHz	

**Bandwidth (f3dB) of the PGA (non-inverting) topology, Output Driving pin, input and output common mode voltages 0.2 to VDDA-0.2, compensation capacitors enabled**

SIDOA133	Ultra-High power mode, Gain = 2	f3db_2_10x_NI_GND_UltraHI	3	-	-	Mhz	
SIDOA134	Ultra-High power mode, Gain = 4	f3db_4_10x_NI_GND_UltraHI	0.5	-	-	Mhz	

(table continues...)



**Table 28 (continued) CTBL Op Amp**

Spec ID	Parameter	Symbol	Values			Unit	Note or test condition
			Min.	Typ.	Max.		
SIDOA135	Ultra-High power mode, Gain = 16	f3db_16_10x_NI_GND_UltraHI	0.086	-	-	Mhz	
SIDOA136	Ultra-High power mode, Gain = 32	f3db_32_10x_NI_GND_UltraHI	0.009	-	-	Mhz	
SIDOA137	High power mode, Gain = 2	f3db_2_10x_NI_GND_HI	3.8	-	-	Mhz	
SIDOA138	High power mode, Gain = 4	f3db_4_10x_NI_GND_HI	0.5	-	-	Mhz	
SIDOA139	High power mode, Gain = 16	f3db_16_10x_NI_GND_HI	0.2	-	-	Mhz	
SIDOA140	High power mode, Gain = 32	f3db_32_10x_NI_GND_HI	0.1	-	-	Mhz	
SIDOA141	Medium power mode, Gain = 2	f3db_2_10x_NI_GND_Med	1.9	-	-	Mhz	
SIDOA142	Medium power mode, Gain = 4	f3db_4_10x_NI_GND_Med	0.4	-	-	Mhz	
SIDOA143	Medium power mode, Gain = 16	f3db_16_10x_NI_GND_Med	0.1	-	-	Mhz	
SIDOA144	Medium power mode, Gain = 32	f3db_32_10x_NI_GND_Med	0.072	-	-	Mhz	
SIDOA145	Low power mode, Gain = 2	f3db_2_10x_NI_GND_Low	1.1	-	-	Mhz	
SIDOA146	Low power mode, Gain = 4	f3db_4_10x_NI_GND_Low	0.3	-	-	Mhz	
SIDOA147	Low power mode, Gain = 16	f3db_16_10x_NI_GND_Low	0.086	-	-	Mhz	
SIDOA148	Low power mode, Gain = 32	f3db_32_10x_NI_GND_Low	0.043	-	-	Mhz	
SIDOA149	Ultra-Low power mode, Gain = 2	f3db_2_10x_NI_GND_UltraLow	0.1	-	-	Mhz	
SIDOA150	Ultra-Low power mode, Gain = 4	f3db_4_10x_NI_GND_UltraLow	0.043	-	-	Mhz	
SIDOA151	Ultra-Low power mode, Gain = 16	f3db_16_10x_NI_GND_UltraLow	0.007	-	-	Mhz	
SIDOA152	Ultra-Low power mode, Gain = 32	f3db_32_10x_NI_GND_UltraLow	0.005	-	-	Mhz	

**(table continues...)**

**Table 28 (continued) CTBL Op Amp**

Spec ID	Parameter	Symbol	Values			Unit	Note or test condition
			Min.	Typ.	Max.		
<b>Bandwidth (f3dB) of the PGA (non-inverting) topology, internal drive-only, input and output common mode voltages 0.2 to VDDA-0.2, compensation capacitors enabled</b>							
SIDO153	Ultra-High power mode, Gain = 2	f3db_2_1x_NI_GND_UltraH I	0.259	-	-	Mhz	
SIDO154	Ultra-High power mode, Gain = 4	f3db_4_1x_NI_GND_UltraH I	0.302	-	-	Mhz	
SIDO155	Ultra-High power mode, Gain = 16	f3db_16_1x_NI_GND_UltraH I	0.331	-	-	Mhz	
SIDO156	Ultra-High power mode, Gain = 32	f3db_32_1x_NI_GND_UltraH I	0.035	-	-	Mhz	
SIDO157	High power mode, Gain = 2	f3db_2_1x_NI_GND_HI	0.554	-	-	Mhz	
SIDO158	High power mode, Gain = 4	f3db_4_1x_NI_GND_HI	0.4	-	-	Mhz	
SIDO159	High power mode, Gain = 16	f3db_16_1x_NI_GND_HI	0.1	-	-	Mhz	
SIDO160	High power mode, Gain = 32	f3db_32_1x_NI_GND_HI	0.005	-	-	Mhz	
SIDO161	Medium power mode, Gain = 2	f3db_2_1x_NI_GND_Med	0.454	-	-	Mhz	
SIDO162	Medium power mode, Gain = 4	f3db_4_1x_NI_GND_Med	0.3	-	-	Mhz	
SIDO163	Medium power mode, Gain = 16	f3db_16_1x_NI_GND_Med	0.065	-	-	Mhz	
SIDO164	Medium power mode, Gain = 32	f3db_32_1x_NI_GND_Med	0.004	-	-	Mhz	
SIDO165	Low power mode, Gain = 2	f3db_2_1x_NI_GND_Low	0.288	-	-	Mhz	
SIDO166	Low power mode, Gain = 4	f3db_4_1x_NI_GND_Low	0.173	-	-	Mhz	
SIDO167	Low power mode, Gain = 16	f3db_16_1x_NI_GND_Low	0.04	-	-	Mhz	
SIDO168	Low power mode, Gain = 32	f3db_32_1x_NI_GND_Low	0.02	-	-	Mhz	
SIDO169	Ultra-Low power mode, Gain = 2	f3db_2_1x_NI_GND_UltraLow	0.006	-	-	Mhz	

**(table continues...)**

**Table 28 (continued) CTBL Op Amp**

Spec ID	Parameter	Symbol	Values			Unit	Note or test condition
			Min.	Typ.	Max.		
SIDOA170	Ultra-Low power mode, Gain = 4	f3db_4_1x_NI_GND_UltraLow	0.029	-	-	Mhz	
SIDOA171	Ultra-Low power mode, Gain = 16	f3db_16_1x_NI_GND_UltraLow	0.002	-	-	Mhz	
SIDOA172	Ultra-Low power mode, Gain = 32	f3db_32_1x_NI_GND_UltraLow	0.003	-	-	Mhz	

**Slew rate (rise and fall), output driving pin, 50 pF load, output voltage transitioning VDDA/2+500 mV to VDDA/2-500 mV**

SIDOA173	Ultra-Low power mode	SL_Ultralow_10x	0.10	-	-	V/μs	
SIDOA174	Low power mode	SL_Low_10x	1.00	-	-	V/μs	
SIDOA175	Medium power mode	SL_Med_10x	2.00	-	-	V/μs	
SIDOA176	High power mode	SL_Hi_10x	3.00	-	-	V/μs	
SIDOA177	Ultra-High power mode	SL_Ultrahi_10x	4.00	-	-	V/μs	

**Slew rate (rise and fall), internal drive-only, 15 pF load, output voltage transitioning from VDDA/2+500 mV to VDDA/2-500 mV**

SIDOA178	Ultra-Low power mode	SL_Ultralow_1x	0.03	-	-	V/μs	
SIDOA179	Low power mode	SL_Low_1x	0.30	-	-	V/μs	
SIDOA180	Medium power mode	SL_Med_1x	0.60	-	-	V/μs	
SIDOA181	High power mode	SL_Hi_1x	1.80	-	-	V/μs	
SIDOA182	Ultra-High power mode	SL_Ultrahi_1x	3.00	-	-	V/μs	

**Settling time, output driving pin, 50 pF load, output voltage transitioning from VDDA/2+50 mV to VDDA/2-50 mV**

SIDOA183	Ultra-Low power mode	Tsettle_Ultralow_10x	-	-	4000	ns	
SIDOA184	Low power mode	Tsettle_Low_10x	-	-	600	ns	
SIDOA185	Medium power mode	Tsettle_Med_10x	-	-	450	ns	
SIDOA186	High power mode	Tsettle_Hi_10x	-	-	300	ns	
SIDOA187	Ultra-High power mode	Tsettle_Ultrahi_10x	-	-	250	ns	

(table continues...)

8 Electrical specifications

**Table 28 (continued) CTBL Op Amp**

Spec ID	Parameter	Symbol	Values			Unit	Note or test condition
			Min.	Typ.	Max.		

**Settling time, internal drive-only, 15pF load, output voltage transitioning from VDDA/2+50 mV to VDDA/2-50 mV**

SIDOA188	Ultra-Low power mode	Tsettle_Ultra_low_1x	-	-	5000	ns	
SIDOA189	Low power mode	Tsettle_Low_1x	-	-	1500	ns	
SIDOA190	Medium power mode	Tsettle_Med_1x	-	-	800	ns	
SIDOA191	High power mode	Tsettle_Hi_1x	-	-	400	ns	
SIDOA192	Ultra-High power mode	Tsettle_Ultra_hi_1x	-	-	300	ns	

**Startup times**

SIDOA198	Start up time, output driving a pin, with 50pF load, all power modes	Tstartup_10x	-	-	5000	ns	
SIDOA199	Start up time, internal-drive only, 15pf load, all power modes	Tstartup_1x	-	-	5000	ns	

**CTB PGA/Differential PGA Specs**

SIDW44	PGA Gain Range (Non-inverting)	PGAGAIN	1.42	-	32		
SIDOA200	PGA Gain Range (Inverting)	PGA_Inv_Gain_Range	0.42	-	31		
SIDOA201	Differential PGA Gain Range	DIFF_Gain_Range	0.42	-	31		

**Current from VDDA for PGA (non-inverting) topology, Output Driving pin, Common mode output voltage = VDDA-0.2, compensation capacitors enabled**

SIDOA202	Ultra-Low power mode	Idd_ultra_low_10x_PGA	-	-	60	μA	
SIDOA203	Low power mode	Idd_low_10x_PGA	-	-	200	μA	
SIDOA204	Medium power mode	Idd_med_10x_PGA	-	-	350	μA	
SIDOA205	High power mode	Idd_hi_10x_PGA	-	-	1000	μA	
SIDOA206	Ultra-High power mode	Idd_Ultra_hi_10x_PGA	-	-	1620	μA	

**Current from VDDA for PGA (non-inverting) topology, Internal-drive only, common mode output voltage = VDDA-0.2, compensation capacitors enabled**

SIDOA207	Ultra-Low power mode	Idd_Ultra_low_1x_PGA	-	-	50	μA	
SIDOA208	Low power mode	Idd_low_1x_PGA	-	-	120	μA	

(table continues...)

**Table 28 (continued) CTBL Op Amp**

Spec ID	Parameter	Symbol	Values			Unit	Note or test condition
			Min.	Typ.	Max.		
SIDOA209	Medium power mode	Idd_med_1x_PGA	-	-	200	µA	
SIDOA210	High power mode	Idd_hi_1x_PGA	-	-	500	µA	
SIDOA211	Ultra-High power mode	Idd_Ultra_hi_1x_PGA	-	-	800	µA	

**Gain error of PGA (non-inverting) topology, internal-drive only, input and output common mode voltages 0.2 to VDDA-0.2, compensation capacitors enabled**

SIDOA212	Ultra-High power mode, Gain = 2	G_error_2_1x_NI_GND_UltraHI	-5	-	5	%	
SIDOA213	Ultra-High power mode, Gain = 4	G_error_4_1x_NI_GND_UltraHI	-5	-	5	%	
SIDOA214	Ultra-High power mode, Gain = 16	G_error_16_1x_NI_GND_UltraHI	-10	-	10	%	
SIDOA215	Ultra-High power mode, Gain = 32	G_error_32_1x_NI_GND_UltraHI	-10	-	10	%	
SIDOA216	High power mode, Gain = 2	G_error_2_1x_NI_GND_HI	-5	-	5	%	
SIDOA217	High power mode, Gain = 4	G_error_4_1x_NI_GND_HI	-5	-	5	%	
SIDOA218	High power mode, Gain = 16	G_error_16_1x_NI_GND_HI	-10	-	10	%	
SIDOA219	High power mode, Gain = 32	G_error_32_1x_NI_GND_HI	-10	-	10	%	
SIDOA220	Medium power mode, Gain = 2	G_error_2_1x_NI_GND_med	-5	-	5	%	
SIDOA221	Medium power mode, Gain = 4	G_error_4_1x_NI_GND_med	-5	-	5	%	
SIDOA222	Medium power mode, Gain = 16	G_error_16_1x_NI_GND_med	-10	-	10	%	
SIDOA223	Medium power mode, Gain = 32	G_error_32_1x_NI_GND_med	-10	-	10	%	

**(table continues...)**

**Table 28 (continued) CTBL Op Amp**

Spec ID	Parameter	Symbol	Values			Unit	Note or test condition
			Min.	Typ.	Max.		
SIDOA224	Low power mode, Gain = 2	G_error_2_1x_NI_GND__low	-5	-	5	%	
SIDOA225	Low power mode, Gain = 4	G_error_4_1x_NI_GND__low	-5	-	5	%	
SIDOA226	Low power mode, Gain = 16	G_error_16_1x_NI_GND__low	-10	-	10	%	
SIDOA227	Low power mode, Gain = 32	G_error_32_1x_NI_GND__low	-10	-	10	%	
SIDOA228	Ultra-Low power mode, Gain = 2	G_error_2_1x_NI_GND__Ultralow	-5	-	5	%	
SIDOA229	Ultra-Low power mode, Gain = 4	G_error_4_1x_NI_GND__Ultralow	-5	-	5	%	
SIDOA230	Ultra-Low power mode, Gain = 16	G_error_16_1x_NI_GND__Ultralow	-10	-	10	%	
SIDOA231	Ultra-Low power mode, Gain = 32	G_error_32_1x_NI_GND__Ultralow	-10	-	10	%	

**Gain error of PGA (non-inverting) topology, output driving pin, input and output common mode voltages 0.2 to VDDA-0.2, compensation capacitors enabled**

SIDOA232	Ultra-High power mode, Gain = 2	G_error_2_10x_NI_GND__UltraHI	-5	-	5	%	
SIDOA233	Ultra-High power mode, Gain = 4	G_error_4_10x_NI_GND__UltraHI	-5	-	5	%	
SIDOA234	Ultra-High power mode, Gain = 16	G_error_16_10x_NI_GND__UltraHI	-10	-	10	%	
SIDOA235	Ultra-High power mode, Gain = 32	G_error_32_10x_NI_GND__UltraHI	-10	-	10	%	
SIDOA236	High power mode, Gain = 2	G_error_2_10x_NI_GND__HI	-5	-	5	%	
SIDOA237	High power mode, Gain = 4	G_error_4_10x_NI_GND__HI	-5	-	5	%	

(table continues...)

**Table 28 (continued) CTBL Op Amp**

Spec ID	Parameter	Symbol	Values			Unit	Note or test condition
			Min.	Typ.	Max.		
SIDOA238	High power mode, Gain = 16	G_error_16_10x_NI_GND_HI	-10	-	10	%	
SIDOA239	High power mode, Gain = 32	G_error_32_10x_NI_GND_HI	-10	-	10	%	
SIDOA240	Medium power mode, Gain = 2	G_error_2_10x_NI_GND_med	-5	-	5	%	
SIDOA241	Medium power mode, Gain = 4	G_error_4_10x_NI_GND_med	-5	-	5	%	
SIDOA242	Medium power mode, Gain = 16	G_error_16_10x_NI_GND_med	-10	-	10	%	
SIDOA243	Medium power mode, Gain = 32	G_error_32_10x_NI_GND_med	-10	-	10	%	
SIDOA244	Low power mode, Gain = 2	G_error_2_10x_NI_GND_low	-5	-	5	%	
SIDOA245	Low power mode, Gain = 4	G_error_4_10x_NI_GND_low	-5	-	5	%	
SIDOA246	Low power mode, Gain = 16	G_error_16_10x_NI_GND_low	-10	-	10	%	
SIDOA247	Low power mode, Gain = 32	G_error_32_10x_NI_GND_low	-10	-	10	%	
SIDOA248	Ultra-Low power mode, Gain = 2	G_error_2_10x_NI_GND_Ultralow	-5	-	5	%	
SIDOA249	Ultra-Low power mode, Gain = 4	G_error_4_10x_NI_GND_Ultralow	-5	-	5	%	
SIDOA250	Ultra-Low power mode, Gain = 16	G_error_16_10x_NI_GND_Ultralow	-10	-	10	%	
SIDOA251	Ultra-Low power mode, Gain = 32	G_error_32_10x_NI_GND_Ultralow	-10	-	10	%	

**(table continues...)**

**Table 28 (continued) CTBL Op Amp**

Spec ID	Parameter	Symbol	Values			Unit	Note or test condition
			Min.	Typ.	Max.		

**Common Mode Rejection Ratio of Differential PGA**

SIDO252	CMRR (input common mode voltage 0.2 to VDDA-0.2 V, internal drive only, High power mode, Small signal Gain=2, CL = 15 pF)	CMRR_1x_hi_diff_pga_1x	-60	-	-	dB	
SIDO253	CMRR (input common mode voltage 0.2 to VDDA-0.2 V, internal drive only, High power mode, Small signal Gain=8, CL = 15 pF)	CMRR_1x_hi_diff_pga_8x	-60	-	-	dB	

**CTB TIA Specs**

SIDO255	TIA Gain Range	TIA Gain Range	57	-	186	kΩ	
---------	----------------	----------------	----	---	-----	----	--

**CTB Comparator Specs**

SIDO260	Comparator Hysteresis Ultra-High power mode, (input common mode voltage =VDDA/2,CL=300 fF)	Comparator Hyst Ultra-High power	2	-	-	mV	
SIDO261	Comparator Hysteresis High power mode, (input common mode voltage =VDDA/2,CL=300 fF)	Comparator Hyst High power	5	-	-	mV	
SIDO262	Comparator Hysteresis Medium power mode, (input common mode voltage =VDDA/2,CL=300 fF)	Comparator Hyst Medium power	10	-	-	mV	
SIDO263	Comparator Hysteresis Low power mode, (input common mode voltage =VDDA/2,CL=300 fF)	Comparator Hyst Low power	20	-	-	mV	
SIDO264	Comparator Hysteresis Ultra-Low power mode, (input common mode voltage =VDDA/2,CL=300 fF)	Comparator Hyst Ultra-Low power	40	-	-	mV	

**Comparator-topology response time (delay) 50mV overdrive, Rail to Rail inputs (output common mode voltage 0.2 to VDDA-0.2 V), load capacitance of 300 fF**

SIDO265	Low power mode, compensation trim = 2	Comparator Tpd_lo	-	-	150	ns	
SIDO266	Medium power mode, compensation trim = 3	Comparator Tpd med	-	-	100	ns	
SIDO267	High power mode, compensation trim = 4	Comparator Tpd hi	-	-	80	ns	



### 8.5.6 PT Comp

**Table 29 PT Comp**

Spec ID	Description	Symbol	Values			Unit	Note or test condition
			Min.	Typ.	Max.		
<b>PT Comparator DC Specifications</b>							
SID84	Input offset voltage. Normal power mode	VOFFSET 1	-5	-	5	mV	
SID85A	Input offset voltage. Low-power mode	VOFFSET 2	-10	-	10	mV	
SID85B	Input offset voltage. Ultra low-power mode	VOFFSET 3	-10	-	10	mV	
SID86	Hysteresis when enabled in Normal mode	VHYST1	-	-	60	mV	
SID86A	Hysteresis when enabled in Low-power mode	VHYST2	-	-	80	mV	
SID87	Input common mode voltage in Normal mode	VICM1	0	-	VDDA-0.1	V	
SID247	Input common mode voltage in Low power mode	VICM2	0	-	VDDA-0.1	V	
SID247A	Input common mode voltage in Ultra low power mode	VICM3	0	-	VDDA-0.1	V	
SID88	Common mode rejection ratio in Normal power mode	CMRR	50	-	-	dB	
SID89	Block Current, Normal mode	ICMP1	-	-	150	μA	Post-processing not included
SID248	Block Current, Low power mode	ICMP2	-	-	10	μA	Post-processing not included
SID259	Block Current in Ultra low power mode	ICMP3	-	0.3	0.85	μA	Post-processing not included
<b>PT Comparator AC Specifications</b>							
SID91	Response time, Normal mode, 100 mV overdrive	TRESP1	-	-	100	ns	
SID258	Response time, Low power mode, 100 mV overdrive	TRESP2	-	-	1000	ns	
SID92	Response time, Ultra-low power mode, 100 mV overdrive	TRESP3	-	-	7	μs	
SID92E	Time from Enabling to operation	TCMPEN1	-	-	10	μs	Normal and Low power modes
SID92F	Time from Enabling to operation	TCMPEN2	-	-	50	μs	Ultra low-power mode

## 8.5.7 PRB

Table 30 PRB

Spec ID	Description	Symbol	Values			Unit	Note or test condition
			Min.	Typ.	Max.		
SIDPR000	Numerical Resolution of PRB		4	-	4	bits	
SIDPR003	Current from VDDA when PRB enabled	IDDA_active	650	850	2200	nA	
SIDPR004	Total resistance of potential dividers on VDDA/VBGR	Res	1.6	2.2	2.8	MΩ	
SIDPR005	DNL of output 1 with VDDA as reference, output 0 connected to tap 7, no load	Vref_DNL_Step_Size_VDDAadder	-1	-	1	LSB	
SIDPR006	DNL of output 1 with VBGR(0.9 V) as reference, output 0 connected to tap 7, no load	Vref_DNL_Step_Size_BGladder	-1	-	1	LSB	
SIDPR007	INL of output 1 with VDDA as reference, output 0 connected to tap 7, no load	Vref_INL_Step_Size_VDDAadder	-1	-	1	LSB	
SIDPR008	INL of output 1 with VBGR(0.9 V) as reference, output 0 connected to tap 7, no load	Vref_INL_Step_Size_BGladder	-1	-	1	LSB	
SIDPR009	Start-up time (output within +/-10 mV of steady state) when both outputs from VBGR (0.9 V) reference	Tstartup_BGladder	-	-	100	μs	
SIDPR010	Start-up time (output within +/-10 mV of the steady state) when both outputs from VDDA reference	Tstartup_VDDAadder	-	-	150	μs	
SIDPR011	Output settling time to +/-10 mV when one code changes, VBGR (0.9 V) reference	Tsettling_code_BGladder	-	25	40	μs	
SIDPR012	Output settling time to +/-10 mV when one code changes, VDDA reference	Tsettling_code_VDDAadder	-	45	60	μs	

## 8.6 Digital peripherals

### 8.6.1 Timer Counter Pulse Width Modulator TCPWM

**Table 31** Timer Counter Pulse Width Modulator TCPWM

Spec ID	Parameter	Symbol	Values			Unit	Note or test condition
			Min.	Typ.	Max.		
<b>TCPWM Specifications</b>							
SIDTCPW M3H	Block current at 100 MHz. HP mode.	ITCPWM	-	-	540	μA	All modes (Timer/Counter/PWM)
SIDTCPW M3	Operating frequency	TCPWMFREQ	-	-	100	MHz	Fc max = Fcpu. Maximum = 100 MHz
SIDTCPW M4	Input Trigger Pulse Width for all Trigger Events	TPWMENEXT	2/Fc	-	-	ns	Trigger Events can be Stop, Start, Reload, Count, Capture, or Kill depending on which mode of operation is selected.
SIDTCPW M5	Output Trigger Pulse widths	TPWMEXT	1.5/Fc	-	-	ns	Minimum possible width of Overflow, Underflow, and CC (Counter equals Compare value) trigger outputs
SIDTCPW M5A	Resolution of Counter	TCRES	1/Fc	-	-	ns	Minimum time between successive counts
SIDTCPW M5B	PWM Resolution	PWMRES	1/Fc	-	-	ns	Minimum pulse width of PWM Output
SIDTCPW M5C	Quadrature inputs resolution	QRES	2/Fc	-	-	ns	Minimum pulse width between Quadrature phase inputs. Delays from pins should be similar.
SIDTCPW M3H	Operating frequency. HP mode	TCPWMFREQ	-	-	100	MHz	
SIDTCPW M3L	Operating frequency. LP mode	TCPWMFREQ	-	-	40	MHz	
SIDTCPW M3U	Operating frequency. ULP mode	TCPWMFREQ	-	-	25	MHz	

## 8.6.2 Serial Communication Block SCB

**Table 32 Serial Communication Block SCB**

Spec ID	Parameter	Symbol	Values			Unit	Note or test condition
			Min.	Typ.	Max.		
<b>Fixed I2C AC Specifications</b>							
SID153	Bit Rate	FI2C1	-	-	1	Mbps	At all core voltages
<b>Fixed UART AC Specifications</b>							
SID162B	Bit rate in HP mode	FUART1	-	-	16	Mbps	
SID162B	Bit rate at LP mode	FUART2	-	-	8	Mbps	
SID162B	Bit rate at ULP mode	FUART3	-	-	3	Mbps	
<b>Fixed SPI AC Specifications</b>							
SID166	SPI Operating frequency Externally Clocked Slave	FSPI	-	-	25	MHz	0.9 V
SID166B	SPI Operating frequency Master (Fscb is SPI clock)	FSPIEXT	-	-	Fscb/4	MHz	0.9 V; Fscb max is 100 MHz
SID166A	SPI Slave Internally Clocked	FSPIIC	-	-	15	MHz	0.9 V
SID166	SPI Operating frequency Externally Clocked Slave	FSPI	-	-	18	MHz	0.8 V
SID166B	SPI Operating frequency Master (Fscb is SPI clock)	FSPIEXT	-	-	18	MHz	0.8 V
SID166A	SPI Slave Internally Clocked	FSPIIC	-	-	10	MHz	0.8 V
SID166	SPI Operating frequency Externally Clocked Slave	FSPI	-	-	12	MHz	0.7 V core voltage
SID166B	SPI Operating frequency Master (Fscb is SPI clock)	FSPIEXT	-	-	12	MHz	0.7 V
SID166A	SPI Slave Internally Clocked	FSPIIC	-	-	5	MHz	0.7 V
SID166HS	SPI Operating frequency Externally Clocked Slave	FSPIHS	-	-	50	MHz	0.9 V
SID166BHS	SPI Operating frequency Master (Fscb is SPI clock)	FSPIEXTHS	-	-	Fscb/4	MHz	0.9 V; Fscb max is 200 MHz
SID166AHS	SPI Slave Internally Clocked	FSPIICHS	-	-	15	MHz	0.9 V
<b>Fixed SPI Master mode AC Specifications</b>							
SID167	MOSI Valid after Sclock driving edge	TDMO	-	-	12	ns	
SID167HS	MOSI Valid after Sclock driving edge	TDMOHS	-	-	5	ns	For 50 MHz operation
SID168	MISO Valid before Sclock capturing edge	TDSI	5	-	-	ns	Full clock, late MISO sampling
SID168HS	MISO Valid before Sclock capturing edge	TDSIHS	3	-	-	ns	Full clock, late MISO sampling

(table continues...)

**Table 32 (continued) Serial Communication Block SCB**

Spec ID	Parameter	Symbol	Values			Unit	Note or test condition
			Min.	Typ.	Max.		
SID169	MOSI and MISO data hold time	THMO	2	-	-	ns	Referred to Slave capturing edge

**Fixed SPI Slave mode AC Specifications**

SID170	MOSI Valid before Sclock Capturing edge	TDMI	5	-	-	ns	
SID171A	MISO Valid after Sclock driving edge in Ext. Clk. mode	TDSOEXT	-	-	20	ns	
SID171AHS	MISO Valid after Sclock driving edge in Ext. Clk. mode	TDSOEXT	-	-	7	ns	High Speed mode
SID171	MISO Valid after Sclock driving edge in Internally Clk. Mode	TDSO	-	-	TDSO_E XT + 3*Tscb	ns	Tscb is Serial Comm Block clock period.
SID171B	MISO Valid after Sclock driving edge in Internally Clk. Mode with Median filter enabled.	TDSO	-	-	TDSO_E XT + 4*Tscb	ns	Tscb is Serial Comm Block clock period.
SID172	MOSI and MISO data hold time	THSO	2	-	-	ns	
SID172A	SSEL Valid to first SCK Valid edge	TSSELSCK1	65	-	-	ns	
SID172B	SSEL Hold after Last SCK Valid edge	TSSELSCK2	65	-	-	ns	

## 8.7 System Resources

### 8.7.1 System Resource

**Table 33 System Resource**

Spec ID	Parameter	Symbol	Values			Unit	Note or test condition
			Min.	Typ.	Max.		

**Power-On-Reset with Brown-out DC specifications**

SID190	VBAT BOD trip voltage in Active and Sleep modes.	VFALLPPOR	2.23	-	-	V	BOD Reset guaranteed below 2.23 V
SID192A	Maximum power supply ramp rate (any supply)	VDDRAMP	-	-	100	mV/uSec	Active Mode
SID192DS	Maximum power supply ramp rate (any supply) in Deep Sleep	VDDR_DS	-	-	10	mV/uSec	Deep Sleep Mode
SID194A	VDDD 1.8V BOD trip voltage in Active and Sleep modes.	VFALL1V8	1.53	-	-	V	BOD Reset guaranteed below 1.53 V

**Voltage Monitors AC specification**

SID212R	VBAT Voltage monitor range	VMON	2.75	-	3.15		
---------	----------------------------	------	------	---	------	--	--

(table continues...)

**Table 33 (continued) System Resource**

Spec ID	Parameter	Symbol	Values			Unit	Note or test condition
			Min.	Typ.	Max.		
SID212E	VBAT Voltage monitor error	VMON	-	0.3	-	%V	

### 8.7.2 Single Wire Debug SWD and Trace Interface

**Table 34 Single Wire Debug SWD and Trace Interface**

Spec ID	Parameter	Symbol	Values			Unit	Note or test condition
			Min.	Typ.	Max.		

#### SWD and Trace Interface

SID214	1.7 V <= VDDD <= 3.6 V	FSWDCLK2	-	-	25	MHz	
SID215	T = 1/f SWDCLK	TSWDISETUP	0.25*T	-	-	ns	
SID216	T = 1/f SWDCLK	TSWDIHOLD	0.25*T	-	-	ns	
SID217	T = 1/f SWDCLK	TSWDOVALID	-	-	0.5*T	ns	
SID217A	T = 1/f SWDCLK	TSWDOHOLD	1	-	-	ns	
SID214T	With Trace Data setup/hold times of 2/1 ns respectively	FTRCLKLP1	-	-	50	MHz	
SID215T	With Trace Data setup/hold times of 3/2 ns respectively	FTRCLKLP2	-	-	50	MHz	

### 8.7.3 Internal Oscillators Crystal Oscillators External Clock and PLLs

**Table 35 Internal Oscillators Crystal Oscillators External Clock and PLLs**

Spec ID	Parameter	Symbol	Values			Unit	Note or test condition
			Min.	Typ.	Max.		

#### IMO DC Specifications

SID218	IMO Operating current at 4.096 MHz	IIMO1	-	5	9	µA	
--------	------------------------------------	-------	---	---	---	----	--

#### IMO AC Specifications

SID223	Frequency variation centered on 4.096 MHz	FIMOTOL1	-1	-	1	%	
SID227	Cycle-to-Cycle and Period jitter	TJITR	-	1	-	ns	

#### IHO DC Specifications

SID219	IHO Operating current at 50 MHz	IHO	-	115	-	µA	
--------	---------------------------------	-----	---	-----	---	----	--

#### IHO AC Specifications

SID220	Frequency variation centered on 50 MHz	FIHOTOL1	-1	-	1	%	
--------	--	----------	----	---	---	---	--

#### PILO DC Specifications

SID222P	PILO Operating current	IPILO	-	1.15	-	µA	
---------	------------------------	-------	---	------	---	----	--

#### PILO AC Specifications

(table continues...)

## 8 Electrical specifications

Table 35 (continued) Internal Oscillators Crystal Oscillators External Clock and PLLs

Spec ID	Parameter	Symbol	Values			Unit	Note or test condition
			Min.	Typ.	Max.		
SID223P	PILO Start-up time to 95% of final frequency	TSTARTPILO	-	-	150	µs	
SID224P	PILO Duty cycle	PILODUTY	45	50	55	%	
SID225P	PILO Temperature Drift	PILODRIFT	-	40	-	ppm/°C	
SID226P	PILO Accuracy	PILOACC	-	250	-	ppm	For 2°C temperature change

## WCO DC Specifications

SID318	Block operating current with 32 kHz crystal	Idd_kHz	-	0.38	1.2	µA	
SID321E	Equivalent Series Resistance	ESR32K	-	80	-	kΩ	
SID322E	Drive Level	PD32K	-	-	1	µW	

## WCO AC Specifications

SID319	32 KHz trimmed frequency	F_kHz	-	32.768	-	KHz	
SID320K	Startup time	Ton_kHz	-	-	1000	ms	
SID320E	Frequency tolerance	FTOL32K	-	50	250	ppm	May be calibrated to sub-IO ppm levels

## ECO DC Specifications

SID318M1	MHz oscillator current at 4 MHz	Idd4M	-	180	-	µA	Cload = 18 PF
SID318M2	MHz oscillator current at 16 MHz	Idd16M	-	360	-	µA	Cload = 18 PF
SID318M3	MHz oscillator current at 38 MHz	Idd38M	-	600	-	µA	Cload = 18 PF
SID321EM	External crystal load capacitance	Cload	-	-	18	pF	

## ECO AC Specifications

SID319M	Crystal frequency range	ECOMHz	4	-	38	MHz	
---------	-------------------------	--------	---	---	----	-----	--

## External Clock Specifications

SID305	External Clock input Frequency	EXTCLKFREQ	0	-	100	MHz	Min. 200 kHz for 32 kHz clock operation
SID306	Duty cycle; Measured at VDD/2	EXTCLKDUTY	45	-	55	%	

## PLL Specifications

## PLL\_HP Specifications

SID306HP H	Output frequency. HP mode.	PLLOUT	-	-	500	MHz	
SID306HP L	Output frequency. LP mode.	PLLOUT	-	-	350	MHz	

(table continues...)

**Table 35 (continued) Internal Oscillators Crystal Oscillators External Clock and PLLs**

Spec ID	Parameter	Symbol	Values			Unit	Note or test condition
			Min.	Typ.	Max.		
SID306HP U	Output frequency. ULP Mode.	PLLOUT	-	-	100	MHz	
SID312HP	Phase Frequency Detector (PFD) input	PLL_PFD	4	-	50	MHz	Output of PDIV divider
SID308HP	Period Jitter in integer operation	PLL_JTR	3	-	3	%	Percentage of Fout
SID311HP	Period Jitter in fractional operation	PLL_JTRF	4	-	4	%	Percentage of Fout
SID309HP	PLL Cold Start Lock Time (After Boot)	PLL_LOCKCOL D	-	-	60	µs	
SID305HP	Time to achieve PLL Lock with frequency change	PLL_LOCK	-	-	20	µs	
SID310HP	Clock input	PLL_CLOCKIN	4	-	400	MHz	Input of PDIV divider

**PLL\_LP Specifications**

SID306LP H	Output frequency. HP mode.	PLL_OUT	-	-	500	MHz	
SID306LP L	Output frequency. LP mode.	PLL_OUT	-	-	350	MHz	
SID306LP U	Output frequency. ULP mode.	PLL_OUT	-	-	100	MHz	
SID311LP	Phase Frequency Detector (PFD) input	PLL_PFD	4	-	8	MHz	Output of PDIV and QDIV dividers
SID308LP	Period Jitter in integer operation	PLL_JTR	2	-	2	%	Percentage of Fout
SID309LP	PLL Cold Start Lock Time (After Boot)	PLL_LOCKCO LD	-	-	60	µs	
SID305LP	Time to achieve PLL Lock with frequency change	PLL_LOCK	-	-	20	µs	
SID310LP	Clock input	PLL_CLOCKIN	4	-	128	MHz	Input of PDIV divider

**Clock Source Switching Time**

SID262	Clock switching from clk1 to clk2 in clock periods	TCLKSWITCH	-	-	4 clk1 + 3 clk2	period s	
--------	--	------------	---	---	--------------------	-------------	--



8 Electrical specifications

### 8.8 PLLs

**Table 36 PLLs**

Spec ID	Parameter	Symbol	Min	Max			Unit
				HP	LP	ULP	
<b>PLL Specifications</b>							
SID306P1	Output frequency from PLL Block for Low Power PLL	PLL_OUT	-	500	350	100	MHz
SID306P2	Output frequency from PLL Block for High Performance PLL	PLL_OUT	-	500	350	100	MHz

### 8.9 Serial Memory Interface SMIF Controller

**Table 37 Serial Memory Interface SMIF Controller**

Spec ID	Parameter	Symbol	Values			Unit	Note or test condition
			Min.	Typ.	Max.		

**SMIF QSPI Specifications. All specs with 15 pF Load. Switching levels are 50% clock to 30%/70% data levels. 100 ps PCB flight/skew times.**

SIDQ390Q	SMIF xSPI output clock frequency	Fsmifclock	-	-	200	MHz	
SIDQ391	SMIF HYPERBUS™ output clock frequency	Fsmifclockh	-	-	166	MHz	

**HYPERBUS™/xSPI SDR and DDR**

SIDQ393	Interface frequency	f <sub>CK</sub>	-	-	200	MHz	
SIDQ394	Allowable clock distortion	t <sub>CKDCD</sub>	-	-	0.25	ns	
SIDQ395	Minimum clock pulse width	t <sub>CKMPW</sub>	2.25	-	-	ns	
SIDQ396	Output setup time of DS and IO[7:0] to CK	t <sub>OUTSETUP</sub>	1.045	-	-	ns	
SIDQ397	Output hold time of DS and IO[7:0] to CK	t <sub>OUTHOLD</sub>	0.89	-	-	ns	
SIDQ398	Input min pulse width of DS	t <sub>INDSMPW</sub>	2.05	-	-	ns	
SIDQ399	Input DS to IO[7:0] valid time	t <sub>INRQ</sub>	-	-	0.4	ns	
SIDQ400	Input IO[7:0] invalid to DS time	t <sub>INRQH</sub>	-	-	0.4	ns	
SIDQ401	Input data valid time of IO[7:0]	t <sub>INDV</sub>	1.15	-	-	ns	
SIDQ402	CK low to CS low	t <sub>CSCCLCSL</sub>	4	-	-	ns	
SIDQ403	CS low to CK high	t <sub>CSCSLCKH</sub>	4	-	-	ns	
SIDQ404	CK low to CS high	t <sub>CSCCLCSH</sub>	4	-	-	ns	
SIDQ405	CS high to CK high	t <sub>CSCSHCKH</sub>	4	-	-	ns	
SIDQ406	DS low to CS high	t <sub>CSDSLCSH</sub>	4	-	-	ns	
SIDQ407	CS high to DS tristate	t <sub>CSCSHDST</sub>	-	-	5	ns	
SIDQ408	CS low to DS low	t <sub>CSCSLDSL</sub>	0	-	-	ns	
SIDQ409	DS tristate to CS low	t <sub>CSDSTCSL</sub>	0	-	-	ns	

(table continues...)

**Table 37 (continued) Serial Memory Interface SMIF Controller**

Spec ID	Parameter	Symbol	Values			Unit	Note or test condition
			Min.	Typ.	Max.		
<b>Standard QSPI SDR</b>							
SIDQ411	Interface frequency	$f_{CK}$	-	-	166	MHz	
SIDQ412	Clock pulse width	$t_{CKPW}$	-	-	-	ns	
SIDQ413	CS# active setup to CK	$t_{CSS}$	4	-	-	ns	
SIDQ414	CS# active hold to CK	$t_{CSH0}$	4	-	-	ns	
SIDQ415	CS# High time (Read)	$t_{CS}$	10	-	-	ns	
SIDQ416	CS# High time (Read when Reset feature and Quad mode are both enabled and aborted transaction)	$t_{CS}$	20	-	-	ns	
SIDQ417	CS# High time (Program/Erase)	$t_{CS}$	50	-	-	ns	
SIDQ418	Output setup time of DQ[7:0] to CK high	$t_{OUT\_SETUP}$	2.1	-	-	ns	
SIDQ419	Output hold time of DQ[7:0] to CK high	$t_{OUT\_HOLD}$	2.1	-	-	ns	
SIDQ420	CK low to DQ[7:0] input valid time	$t_{INV}$	-	-	6.7	ns	
SIDQ421	CK low to DQ[7:0] input hold time	$t_{INHO}$	1.5	-	-	ns	
SIDQ422	Input data valid time of DQ[7:0]	$t_{INDV}$	3.8	-	-	ns	
<b>Standard QSPI DDR</b>							
SIDQ424	Interface frequency	$f_{CK}$	-	-	100	MHz	
SIDQ425	Clock pulse width	$t_{CKPW}$	-	-	-	ns	
SIDQ426	CS# active setup to CK	$t_{CSS}$	4	-	-	ns	
SIDQ427	CS# active hold to CK (mode 0)	$t_{CSH0}$	4	-	-	ns	
SIDQ428	CS# High time (Read)	$t_{CS}$	10	-	-	ns	
SIDQ429	CS# High time (Read when Reset feature and Quad mode are both enabled and aborted transaction)	$t_{CS}$	20	-	-	ns	
SIDQ430	CS# High time (Program/Erase)	$t_{CS}$	50	-	-	ns	
SIDQ431	Output setup time of DQ[7:0] to CK edge	$t_{OUTSETUP}$	2.1	-	-	ns	
SIDQ432	Output hold time of DQ[7:0] to CK edge	$t_{OUTHOLD}$	1.3	-	-	ns	
SIDQ433	CK edge to DQ[7:0] input valid time	$t_{INV}$	-	-	6.7	ns	
SIDQ434	CK edge to DQ[7:0] input hold time	$t_{INHO}$	1.5	-	-	ns	

(table continues...)

8 Electrical specifications

**Table 37 (continued) Serial Memory Interface SMIF Controller**

Spec ID	Parameter	Symbol	Values			Unit	Note or test condition
			Min.	Typ.	Max.		
SIDQ435	Input data valid time of DQ[7:0]	t <sub>INDV</sub>	2.9	-	-	ns	200 and 166 MHz specs

### 8.10 SDHC and eMMC

**Table 38 SDHC and eMMC**

Spec ID	Parameter	Symbol	Values			Unit	Note or test condition
			Min.	Typ.	Max.		

**SDHC and eMMC Specifications (Block Clock must be divided by ≥ 2 when used as source in DDR modes). AC Specs from 50% clock to 30%/70% data level.**

SIDSD390	IO drive select	SDDS	8	-	8	mA	drive_sel = '00' for all modes
SIDSD391	Input transition time	SDTR	0.7	-	3	ns	

**SD:DS timing**

SIDSD392	Interface clock period	SDCLK	-	-	25	MHz	
SIDSD394	Frequency tolerance	SDDCMDCL	30	-	30	pF	
SIDSD395	IO loading at CLK pins	SDCLKCL	30	-	30	pF	
SIDSD396	Output: Setup time of CMD/DAT prior to CLK	SDTSOUT	5.1	-	-	ns	
SIDSD397	Output: Hold time of CMD/DAT after CLK	SDHLDOUT	5.1	-	-	ns	
SIDSD398	Input: Setup time of CMD/DAT prior to CLK	SDTSIN	24	-	-	ns	
SIDSD400	Input: Hold time of CMD/DAT after CLK	SDHLDIN	0	-	-	ns	

**SD:HS timing**

SIDSD401	Interface clock period	SDCLK	-	-	50	MHz	At 0.8 V and up
SIDSD403	IO loading at DATA/CMD pins	SDDCMDCL	30	-	30	pF	
SIDSD404	IO loading at CLK pins	SDCLKCL	30	-	30	pF	
SIDSD405	Output: Setup time of CMD/DAT prior to CLK	SDTSOUT	6.1	-	-	ns	
SIDSD406	Output: Hold time of CMD/DAT after CLK	SDHLDOUT	2.1	-	-	ns	
SIDSD407	Input: Setup time of CMD/DAT prior to CLK	SDTSIN	5.8	-	-	ns	
SIDSD409	Input: Hold time of CMD/DAT after CLK	SDHLDIN	2.5	-	-	ns	

**SD:SDR-12 timing**

SIDSD410	Interface clock period	SDCLK	-	-	25	MHz	
----------	------------------------	-------	---	---	----	-----	--

**(table continues...)**

## 8 Electrical specifications

Table 38 (continued) SDHC and eMMC

Spec ID	Parameter	Symbol	Values			Unit	Note or test condition
			Min.	Typ.	Max.		
SIDSD412	Dutycycle of output CLK	SDCLKDC	30	-	70	%	
SIDSD413	IO loading at DATA/CMD pins	SDDCMDCL	30	-	30	pF	
SIDSD414	IO loading at CLK pins	SDCLKCL	30	-	30	pF	
SIDSD415	Output: Setup time of CMD/DAT prior to CLK	SDTSOUT	3.1	-	-	ns	
SIDSD416	Output: Hold time of CMD/DAT after CLK	SDHLDOUT	0.9	-	-	ns	
SIDSD417	Input: Setup time of CMD/DAT prior to CLK	SDTSIN	24	-	-	ns	
SIDSD419	Input: Hold time of CMD/DAT after CLK	SDHLDIN	1.5	-	-	ns	

**SD:SDR-25 timing**

SIDSD420	Interface clock period	SDCLK	-	-	50	MHz	At 0.8 V and up
SIDSD422	Dutycycle of output CLK	SDCLKDC	30	-	70	%	
SIDSD423	IO loading at DATA/CMD pins	SDDCMDCL	30	-	30	pF	
SIDSD424	IO loading at CLK pins	SDCLKCL	30	-	30	pF	
SIDSD425	Output: Setup time of CMD/DAT prior to CLK	SDTSOUT	3.1	-	-	ns	
SIDSD426	Output: Hold time of CMD/DAT after CLK	SDHLDOUT	0.9	-	-	ns	
SIDSD427	Input: Setup time of CMD/DAT prior to CLK	SDTSIN	5.8	-	-	ns	
SIDSD429	Input: Hold time of CMD/DAT after CLK	SDHLDIN	1.5	-	-	ns	

**SD:SDR-50 timing**

SIDSD430	Interface clock period	SDCLK	-	-	100	MHz	At 0.9 V
SIDSD432	Dutycycle of output CLK	SDCLKDC	30	-	70	%	
SIDSD433	IO loading at DATA/CMD pins	SDDCMDCL	20	-	20	pF	
SIDSD434	IO loading at CLK pins	SDCLKCL	20	-	20	pF	
SIDSD435	Output: Setup time of CMD/DAT prior to CLK	SDTSOUT	3.1	-	-	ns	
SIDSD436	Output: Hold time of CMD/DAT after CLK	SDHLDOUT	0.9	-	-	ns	
SIDSD437	Input: Setup time of CMD/DAT prior to CLK	SDTSIN	4.8	-	-	ns	
SIDSD439	Input: Hold time of CMD/DAT after CLK	SDHLDIN	1.5	-	-	ns	

**SD:DDR-50 timing**

SIDSD440	Interface clock period	SDCLK	-	-	50	MHz	At 0.8 V and up
----------	------------------------	-------	---	---	----	-----	-----------------

(table continues...)

8 Electrical specifications

**Table 38 (continued) SDHC and eMMC**

Spec ID	Parameter	Symbol	Values			Unit	Note or test condition
			Min.	Typ.	Max.		
SIDSD442	Dutycycle of output CLK	SDCLKDC	45	-	55	%	
SIDSD443	IO loading at DATA/CMD pins	SDDCMDCL	30	-	30	pF	
SIDSD444	IO loading at CLK pins	SDCLKCL	30	-	30	pF	
SIDSD445	Output: Setup time of CMD/DAT prior to CLK	SDTSOUT	3.1	-	-	ns	
SIDSD446	Output: Hold time of CMD/DAT after CLK	SDHLDOUT	0.9	-	-	ns	
SIDSD447	Input: Setup time of CMD/DAT prior to CLK	SDTSIN	5.3	-	-	ns	
SIDSD449	Input: Hold time of CMD/DAT after CLK	SDHLDIN	1.5	-	-	ns	

**eMMC:BWC timing**

SIDSD450	Interface clock period	SDCLK	-	-	26	MHz	At 0.8 V and up
SIDSD452	IO loading at DATA/CMD pins	SDDCMDCL	30	-	30	pF	
SIDSD453	IO loading at CLK pins	SDCLKCL	30	-	30	pF	
SIDSD454	Output: Setup time of CMD/DAT prior to CLK	SDTSOUT	3.1	-	-	ns	
SIDSD455	Output: Hold time of CMD/DAT after CLK	SDHLDOUT	3.1	-	-	ns	
SIDSD456	Input: Setup time of CMD/DAT prior to CLK	SDTSIN	9.7	-	-	ns	
SIDSD458	Input: Hold time of CMD/DAT after CLK	SDHLDIN	8.3	-	-	ns	

**eMMC:SDR timing**

SIDSD459	Interface clock period	SDCLK	-	-	52	MHz	0.9 V
SIDSD461	IO loading at DATA/CMD pins	SDDCMDCL	30	-	30	pF	
SIDSD462	IO loading at CLK pins	SDCLKCL	30	-	30	pF	
SIDSD463	Output: Setup time of CMD/DAT prior to CLK	SDTSOUT	3.1	-	-	ns	
SIDSD464	Output: Hold time of CMD/DAT after CLK	SDHLDOUT	3.1	-	-	ns	
SIDSD465	Input: Setup time of CMD/DAT prior to CLK	SDTSIN	5.3	-	-	ns	
SIDSD467	Input: Hold time of CMD/DAT after CLK	SDHLDIN	2.5	-	-	ns	

**eMMC:DDR timing**

SIDSD468	Interface clock period	SDCLK	-	-	52	MHz	0.9 V
SIDSD470	Dutycycle requirement at output CLK	SDCLKDC	45	-	55	%	

(table continues...)

**Table 38 (continued) SDHC and eMMC**

Spec ID	Parameter	Symbol	Values			Unit	Note or test condition
			Min.	Typ.	Max.		
SIDSD471	IO loading at DATA/CMD pins	SDDCMDCL	20	-	20	pF	
SIDSD472	IO loading at CLK pins	SDCLKCL	20	-	20	pF	
SIDSD473	Output: Setup time of CMD/DAT prior to CLK	SDTSOUT	2.6	-	-	ns	
SIDSD474	Output: Hold time of CMD/DAT after CLK	SDHLDOUT	2.6	-	-	ns	
SIDSD475	Input: Setup time of CMD/DAT prior to CLK	SDTSIN	10	-	-	ns	
SIDSD477	Input: Hold time of CMD/DAT after CLK	SDHLDIN	1.5	-	-	ns	

## 8.11 Audio Sub system

**Table 39 Audio Sub system**

Spec ID	Parameter	Symbol	Values			Unit	Note or test condition
			Min.	Typ.	Max.		

### PDM Specifications

SID400P	PDM Active current, Stereo operation, 1 MHz clock	PDMIDD1	-	175	-	µA	16 bit audio at 16 KSPS
SID401	PDM Active current, Stereo operation, 3 MHz clock	PDMIDD2	-	600	-	µA	24 bit audio at 48 KSPS
SID402	RMS Jitter in PDM clock	PDMJITTER	-200	-	200	ps	
SID403	PDM Clock speed	PDMCLK	0.384	-	3.072	MHz	
SID403A	PDM Block input clock	PDMBLKCLK	1.024	-	49.152	MHz	
SID403B	Data input set-up time to PDM_CLK edge	PDMSETUP	10	-	-	ns	
SID403C	Data input hold time after PDM_CLK edge	PDMHOLD	10	-	-	ns	
SID404	Audio sample rate	PDMOUT	8	-	48	ksps	
SID405	Word Length	PDMWL	16	-	24	bits	
SID406	Signal-to-Noise Ratio (A-weighted 0	PDMSNR	-	100	-	dB	PDM input, 20 Hz to 20 kHz BW
SID407	Dynamic Range (A-weighted)	PDMDR	-	100	-	dB	20 Hz to 20 kHz BW, -60 dB FS
SID408	Frequency Response	PDMFR	-0.2	-	0.2	dB	DC to 0.45f. DC Blocking filter off.
SID409	Stop Band	PDMSB	-	0.566*f	-	kHz	f is the sampling frequency
SID410	Stop Band Attenuation	PDMSBA	-	60	-	dB	> 30 dB for 8 KSPS

(table continues...)

8 Electrical specifications

**Table 39 (continued) Audio Sub system**

Spec ID	Parameter	Symbol	Values			Unit	Note or test condition
			Min.	Typ.	Max.		
SID411	AdjusTable Gain	PDMGAIN	-12	-	10.5	dB	PDM to PCM, 1.5 dB/step
SID412	Startup time	PDMST	-	48	-		WS (Word Select) cycles

**I2S Specifications.**

SID413	Length of I2S Word	I2SWORD	8	-	32	bits	
SID414	Word Clock frequency	I2SWS	-	-	192	kHz	12.288 MHz bit clock with 32-bit word
SID414A	Word Clock frequency in TDM mode	I2SWSTDM	-	-	48	kHz	8 32-bit channels

**I2S Slave Mode**

SID430	WS Setup Time to the Following Rising Edge of SCK	TSWS	5	-	-	ns	
SID430A	WS Hold Time to the Following Edge of SCK	THWS	TMCLK_SOC+5	-	-	ns	
SID432	Delay Time of TX_SDO Transition from Edge of TX_SCK	TDSDO	(TMCLK_SOC+25)	-	TMCLK_SOC+25	ns	Associated clock edge depends on selected polarity
SID433	RX_SDI Setup Time to the Following Edge of RX_SCK in	TSSDI	5	-	-	ns	
SID434	RX_SDI Hold Time after the Rising Edge of RX_SCK	THSDI	TMCLK_SOC+5	-	-	ns	
SID435	TX/RX_SCK Bit Clock Duty Cycle	TSCKCY	45	-	55	%	

**I2S Master Mode**

SID437	WS Transition Delay from Associated Edge of SCK	TDWS	10	-	20	ns	
SID438	SDO Transition Delay from Associated Edge of SCK	TDSDO	10	-	20	ns	
SID439	SDI Setup Time to the Associated Edge of SCK	TSSDI	5	-	-	ns	Associated clock edge depends on selected polarity
SID440	SDI Hold Time after the Associated Edge of SCK	THSDI	TMCLK_SOC+5	-	-	ns	T is TX/RX_SCK Bit Clock period. Associated clock edge depends on selected polarity.
SID443	SCK Bit Clock Duty Cycle	TSCKCY	45	-	55	%	
SID445	MCLK_SOC Frequency	FMCLKSOC	1.024	-	98.304	MHz	FMCLK_SOC = 8*Bit-clock
SID446	MCLK_SOC Duty Cycle	TMCLKCY	45	-	55	%	

(table continues...)

8 Electrical specifications

**Table 39 (continued) Audio Sub system**

Spec ID	Parameter	Symbol	Values			Unit	Note or test condition
			Min.	Typ.	Max.		
SID447	MCLK_SOC Input Jitter	TJITTER	-100	-	100	ps	

## 8.12 Ethernet MAC

**Table 40 Ethernet MAC**

Spec ID	Parameter	Symbol	Values			Unit	Note or test condition
			Min.	Typ.	Max.		
SID500E	MAC Frequency Range	Tfreq	10	-	100	Mbits/sec	

## 8.13 CAN FD

**Table 41 CAN FD**

Spec ID	Parameter	Symbol	Values			Unit	Note or test condition
			Min.	Typ.	Max.		
SID391C	CAN Bit rate (Min 8 MHz clock)	CANrate	-	-	5	Mbit	CAN FD compliant

## 8.14 JTAG and Boundary Scan

**Table 42 JTAG and Boundary Scan**

Spec ID	Parameter	Symbol	Values			Unit	Note or test condition
			Min.	Typ.	Max.		
SID468	TCK low	TCKLOW	52	-	-	ns	
SID469	TCK high	TCKHIGH	10	-	-	ns	
SID470	TCK falling edge to output valid	TCKTDO	-	-	40	ns	
SID471	Input valid to TCK rising edge	TSUTCK	12	-	-	ns	
SID472	Input hold time after TCK rising edge	TCKTHD	10	-	-	ns	
SID473	TCK falling edge to output valid	TCKTDOV	-	-	40	ns	
SID474	TCK falling edge to output High-Z	TCKTDOZ	-	-	40	ns	

## 8.15 USB HS

**Table 43 USB HS**

Spec ID	Parameter	Symbol	Values			Unit	Note or test condition
			Min.	Typ.	Max.		
SID600	HS Data Rate	USBHS	-	-	480	Mbits/sec	



## 8.16 MIPI DSI PHY

**Table 44** MIPI DSI PHY

Spec ID	Parameter	Symbol	Values			Unit	Note or test condition
			Min.	Typ.	Max.		
SID700	D-PHY data rate per lane	MIPIFS	500	-	1500	Mbits/sec	

## 8.17 MIPI DBI

**Table 45** MIPI DBI

Spec ID	Parameter	Symbol	Values			Unit	Note or test condition
			Min.	Typ.	Max.		
SID710	GPIO frequency for DBI Type C interface	DBICFreq	-	-	50	MHz	
SID711	GPIO frequency for DBI Type A and B interfaces	DBIABFreq	-	-	50	MHz	

## 8.18 I3C

**Table 46** I3C

Spec ID	Parameter	Symbol	Values			Unit	Note or test condition
			Min.	Typ.	Max.		
SID800	HDR-DDR data rate	I3CF1	-	-	25	Mbps	At 0.9 V (HP)
SID801	HDR-DDR data rate	I3CF2	-	-	12	Mbps	At 0.8 V (LP)
SID802	HDR-DDR data rate	I3CF3	-	-	6	Mbps	At 0.7 V (ULP)

## 8.19 NNlite

**Table 47** NNlite

Spec ID	Description	Symbol	Values			Unit	Note or test condition
			Min.	Typ.	Max.		
SIDN1H	NNLite operating frequency in system HP mode	FNNLITE	0	-	200	MHz	
SIDN1L	NNLite operating frequency in system LP mode	FNNLITE	0	-	80	MHz	
SIDN1U	NNLite operating frequency in system ULP mode	FNNLITE	0	-	50	MHz	

## 8.20 SmartIO

**Table 48 SmartIO**

Spec ID	Description	Symbol	Values			Unit	Note or test condition
			Min.	Typ.	Max.		
SIDSM1	Smart IO operating frequency	FSMART	0	-	100	MHz	

## 8.21 GPU

**Table 49 GPU**

Spec ID	Description	Symbol	Values			Unit	Note or test condition
			Min.	Typ.	Max.		
SIDGX1H	GPU frequency in system HP mode	FGPU	0	-	64	MHz	

## 9 Ordering information

The PSOC™ Edge E8x2, E8x3, E8x5, E8x6 Consumer part numbers and features are listed in [Table 50](#). This product line offers dual CPU (Arm® CM33 and Arm® CM55 with Ethos-U55), 512 KB RRAM, 5.5 KB OTP, 1 MB SRAM, HPDMA 4 channel, 2x DMA 16 channels each, HMI (optional GFX, Audio), USB-HS, 2x TDM/I2S, 32x TCPWM, 1x 12-bit SAR ADC, Crypto, 2x SD/eMMC and 2x SMIF and an I3C block.

The eWLB-235 package includes 4x Opamp, 2x LPComp, 2x 12-bit DAC, 12x SCB, and 6x PDM blocks.

The WLB-154 package includes 2x Opamp, 12-bit DAC, 9x SCB, and 4x PDM blocks.

The BGA-220 package includes 4x Opamp, 2x LPComp, 2x 12-bit DAC, 12x SCB, 6x PDM blocks, CANFD, and Ethernet.

**Table 50 PSOC™ Edge E8x2, E8x3, E8x5, E8x6 Consumer ordering information**

Product	Package	System SRAM (KB)	U55	GFX	Security	I/O Count	Silicon ID
PSOC™ Edge E84							
PSE846GPS4DBZC4	BGA-220	5120	Y	Y	EPC4	147	0xED91
PSE846GPS2DBZC4	BGA-220	5120	Y	Y	EPC2	147	0xED94
PSE846GOS4DBZC4	BGA-220	4096	Y	Y	EPC4	147	0xED97
PSE846GOS2DBZC4	BGA-220	4096	Y	Y	EPC2	147	0xED9A
PSE845GPS4DFNC4	WLB-154	5120	Y	Y	EPC4	101	0xED9C
PSE845GPS2DFNC4	WLB-154	5120	Y	Y	EPC2	101	0xED9D
PSE845GPS2DFMC4	eWLB-235	5120	Y	Y	EPC2	147	0xED93
PSE845GOS4DFNC4	WLB-154	4096	Y	Y	EPC4	101	0xED9E
PSE845GOS4DFMC4	eWLB-235	4096	Y	Y	EPC4	147	0xED96
PSE845GOS2DFNC4	WLB-154	4096	Y	Y	EPC2	101	0xED9F
PSE845GOS2DFMC4	eWLB-235	4096	Y	Y	EPC2	147	0xED99
PSE845GPS4DFMC4	eWLB-235	5120	Y	Y	EPC4	147	0xED90
PSOC™ Edge E83							
PSE832GOS4DFNC4	WLB-154	4096	Y	N	EPC4	101	0xEDA0
PSE832GOS2DFNC4	WLB-154	4096	Y	N	EPC2	101	0xEDA2
PSE833GOS2DBZC4	BGA-220	4096	Y	N	EPC2	147	0xEDA3
PSE832GMS4DFNC4	WLB-154	2048	Y	N	EPC4	101	0xEDA4
PSE833GMS4DBZC4	BGA-220	2048	Y	N	EPC4	147	0xEDA5
PSE832GMS2DFNC4	WLB-154	2048	Y	N	EPC2	101	0xEDA6
PSE833GMS2DBZC4	BGA-220	2048	Y	N	EPC2	147	0xEDA7
PSE833GOS4DBZC4	BGA-220	4096	Y	N	EPC4	147	0xEDA1
PSOC™ Edge E82							
PSE822GOS4DFNC4	WLB-154	4096	N	Y	EPC4	101	0xEDAC
PSE822GOS2DFNC4	WLB-154	4096	N	Y	EPC2	101	0xEDAE
PSE823GOS2DBZC4	BGA-220	4096	N	Y	EPC2	147	0xEDAF

(table continues...)

9 Ordering information

**Table 50 (continued) PSOC™ Edge E8x2, E8x3, E8x5, E8x6 Consumer ordering information**

Product	Package	System SRAM (KB)	U55	GFX	Security	I/O Count	Silicon ID
PSE822GMS4DFNC4	WLB-154	2048	N	Y	EPC4	101	0xEDB0
PSE823GMS4DBZC4	BGA-220	2048	N	Y	EPC4	147	0xEDB1
PSE822GMS2DFNC4	WLB-154	2048	N	Y	EPC2	101	0xEDB2
PSE823GMS2DBZC4	BGA-220	2048	N	Y	EPC2	147	0xEDB3
PSE823GOS4DBZC4	BGA-220	4096	N	Y	EPC4	147	0xEDAD

PSOC™ Edge E81

PSE812GOS4DFNC4	WLB-154	4096	N	N	EPC4	101	0xEDB8
PSE813GOS4DBZC4	BGA-220	4096	N	N	EPC4	147	0xEDB9
PSE812GOS2DFNC4	WLB-154	4096	N	N	EPC2	101	0xEDBA
PSE813GOS2DBZC4	BGA-220	4096	N	N	EPC2	147	0xEDBB
PSE812GMS4DFNC4	WLB-154	2048	N	N	EPC4	101	0xEDBC
PSE813GMS4DBZC4	BGA-220	2048	N	N	EPC4	147	0xEDBD
PSE812GMS2DFNC4	WLB-154	2048	N	N	EPC2	101	0xEDBE
PSE813GMS2DBZC4	BGA-220	2048	N	N	EPC2	147	0xEDBF

**9.1 Part number nomenclature**

PS E 8 X X MS SX W C PK T X ES R S

**Table 51 Product nomenclature**

Field	Description	Value	Meaning
PS	Brand	PS	PSOC™
E	Family	E	PSOC™ Edge
8	Series	8	E8 series
X	Line	1	Base
		2	Graphics
		3	AI/ML
		4	Graphics + AI/ML
X	Features (sub-families)	7-9	Performance
		4-6	Main
		1-3	Entry

(table continues...)

**Table 51 (continued) Product nomenclature**

Field	Description	Value	Meaning
MS	Memory size (NVM, SRAM)	A/B/C/D/E/F/G/H K/L/M/N/O/P/Q/ R S/T/U/V/W/X/Y	2 letters for memories, 1st for total NVM (RRAM + Flash) and 2nd for total RAM (System SRAM + SRAM + TCM) A/B/C/D/E/F/G/H - 8/16/32/64/128/256/512/768 KB K/L/M/N/O/P/Q/R - 1/2/3/4/5/6/7/8 MB S/T/U/V/W/X/Y - 16/24/32/64/128/256/512 MB (for example, P to cover 6.x MB, S to cover 16-23.x MB)
SX	Security features (optional)	Blank	Non security
		S1	EPC 1 security
		S2	EPC 2 security
		S4	EPC 4 security
W	Wireless (optional)	Blank	Non wireless
		B	Bluetooth® LE
		W	WiFi + Bluetooth® LE
C	CPU core (optional)	Blank	Single core
		D	Dual core
		T	Triple core
		Q	Quad core
PK	Package	BZ	BGA-220
		FM	eWLB-235
		FN	WLB-154
T	Temperature range	C	-20°C to +70°C
		I	-40°C to +85°C
		Q	-40°C to +105°C
		M	-55°C to +125°C
X	Max frequency	0	0~99 MHz
		1	100~199 MHz
		2	200~299 MHz
		3	300~399 MHz
		4	400~499 MHz
ES	Engineering sample (optional)	Blank	Production sample
		ES	Engineering sample
S	Tape/Reel Shipment (optional)	Blank	Tray
		T	Tape & Reel shipment

10 Package information

## 10 Package information

This product line is offered in BGA-220, eWLB-235, and WLB-154 packages.

For pinout details, see [Table 9](#).

**Table 52 Package dimensions**

Spec ID#	Package	Description	Package Dwg #
PKG_1	BGA-220	BGA-220, 10 mm x 10 mm x 1.2 mm height with 0.65-mm pitch	002-34686 Rev. *B
PKG_2	eWLB-235	eWLB-235, 7 mm x 7 mm x 0.7 mm height with 0.4-mm pitch	002-37971 Rev. **
PKG_3	WLB-154	WLB-154, 5.22 mm x 4.32 mm x 0.505 mm height with 0.35-mm pitch	002-37972 Rev. **

**Table 53 Package characteristics**

Parameter	Description	Conditions	Min	Typ	Max	Units
T <sub>A</sub>	Operating ambient temperature (BGA-220)	-	-20	25	70	°C
T <sub>A</sub>	Operating ambient temperature (eWLB-235)	-	-20	25	70	°C
T <sub>A</sub>	Operating ambient temperature (WLB-154)	-	-20	25	70	°C
T <sub>J</sub>	Operating junction temperature, all packages	-	-20	-	90	°C
T <sub>JA</sub>	Package $\theta_{JA}$ (BGA-220)	-	-	41	-	°C/watt
T <sub>JC</sub>	Package $\theta_{JC}$ (BGA-220)	-	-	13	-	°C/watt
T <sub>JA</sub>	Package $\theta_{JA}$ (eWLB-235)	-	-	17	-	°C/watt
T <sub>JC</sub>	Package $\theta_{JC}$ (eWLB-235)	-	-	0.2	-	°C/watt
T <sub>JA</sub>	Package $\theta_{JA}$ (WLB-154)	-	-	45	-	°C/watt
T <sub>JC</sub>	Package $\theta_{JC}$ (WLB-154)	-	-	0.57	-	°C/watt

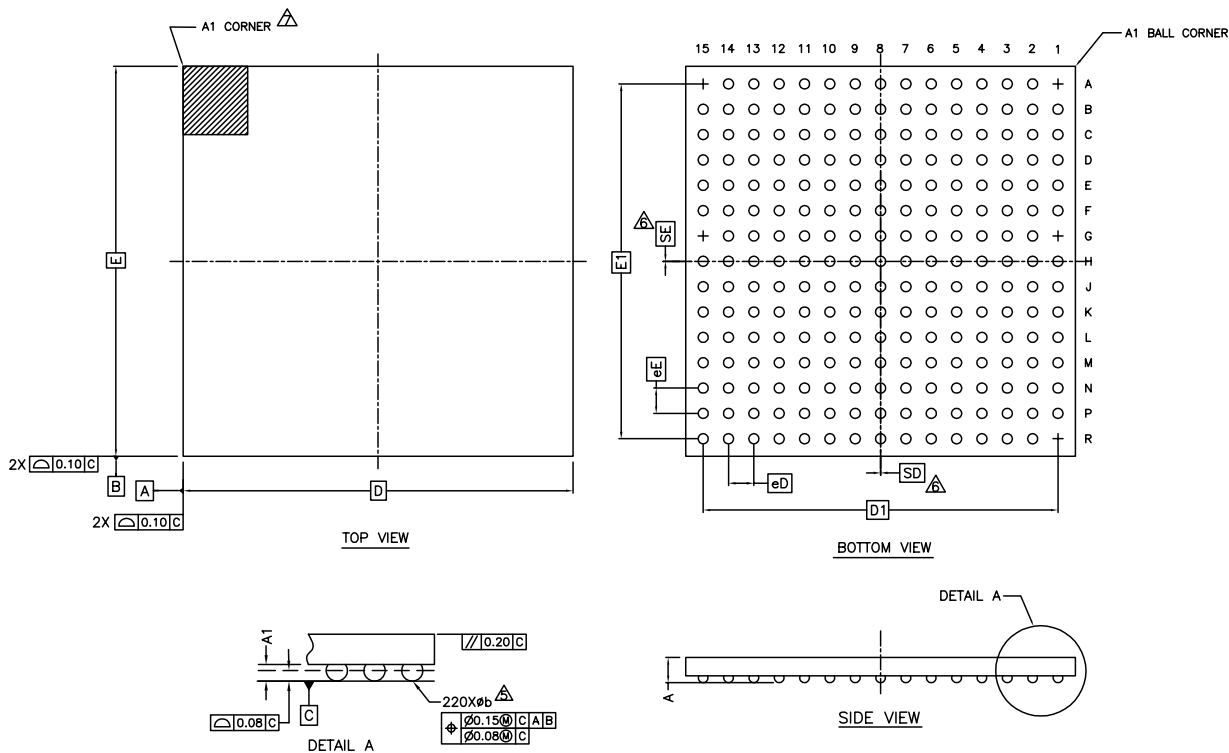
**Table 54 Solder reflow peak temperature**

Package	Maximum peak temperature	Maximum time at peak temperature
All packages	260°C	30 seconds

**Table 55 Package moisture sensitivity level (MSL), IPC/JEDEC J-STD-2**

Package	MSL
BGA-220	MSL3
eWLB-235	MSL1
WLB-154	MSL1

10 Package information



SYMBOL	DIMENSIONS		
	MIN.	NOM.	MAX.
A	-	-	1.20
A1	0.15	-	-
D	10.00 BSC		
E	10.00 BSC		
D1	9.10 BSC		
E1	9.10 BSC		
MD	15		
ME	15		
N	220		
Øb	0.21	0.26	0.31
eD	0.65 BSC		
eE	0.65 BSC		
SD	0.00 BSC		
SE	0.00 BSC		

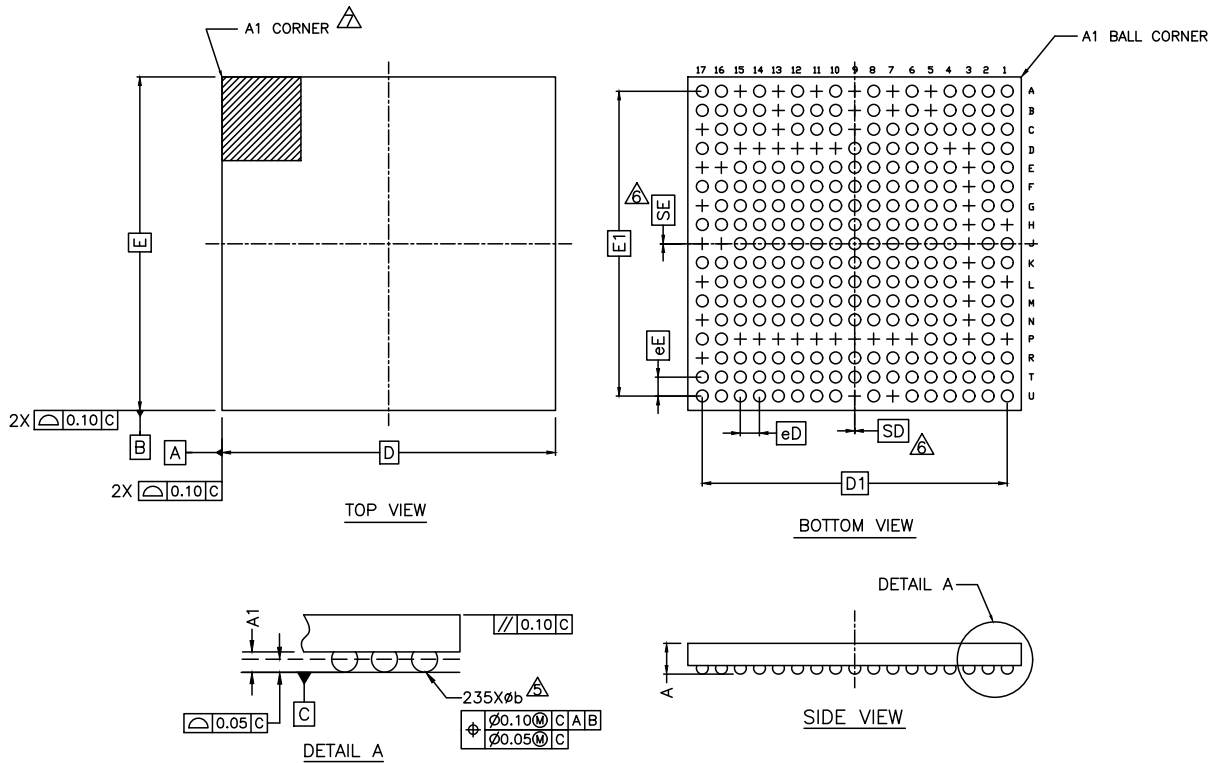
**NOTES:**

- ALL DIMENSIONS ARE IN MILLIMETERS.
- SOLDER BALL POSITION DESIGNATION PER JEP95, SECTION 3, SPP-020.
- "e" REPRESENTS THE SOLDER BALL GRID PITCH.
- SYMBOL "MD" IS THE BALL MATRIX SIZE IN THE "D" DIRECTION. SYMBOL "ME" IS THE BALL MATRIX SIZE IN THE "E" DIRECTION. N IS THE NUMBER OF POPULATED SOLDER BALL POSITIONS FOR MATRIX SIZE MD X ME.
- DIMENSION "b" IS MEASURED AT THE MAXIMUM BALL DIAMETER IN A PLANE PARALLEL TO DATUM C.
- "SD" AND "SE" ARE MEASURED WITH RESPECT TO DATUMS A AND B AND DEFINE THE POSITION OF THE CENTER SOLDER BALL IN THE OUTER ROW. WHEN THERE IS AN ODD NUMBER OF SOLDER BALLS IN THE OUTER ROW, "SD" OR "SE" = 0. WHEN THERE IS AN EVEN NUMBER OF SOLDER BALLS IN THE OUTER ROW, "SD" = eD/2 AND "SE" = eE/2.
- A1 CORNER TO BE IDENTIFIED BY CHAMFER, LASER OR INK MARK, METALIZED MARK, INDENTATION OR OTHER MEANS.
- "+" INDICATES THE THEORETICAL CENTER OF DEPOPULATED SOLDER BALLS.
- JEDEC SPECIFICATION NO. REF. : N/A.

002-34686 Rev. \*B

Figure 17 BGA-220, 10 x 10 x 1.2

10 Package information



SYMBOL	DIMENSIONS		
	MIN.	NOM.	MAX.
A	-	-	0.685
A1	0.155	-	-
D	7.00 BSC		
E	7.00 BSC		
D1	6.40 BSC		
E1	6.40 BSC		
MD	17		
ME	17		
N	235		
Øb	0.22	0.25	0.28
eD	0.40 BSC		
eE	0.40 BSC		
SD	0.00 BSC		
SE	0.00 BSC		

**NOTES:**

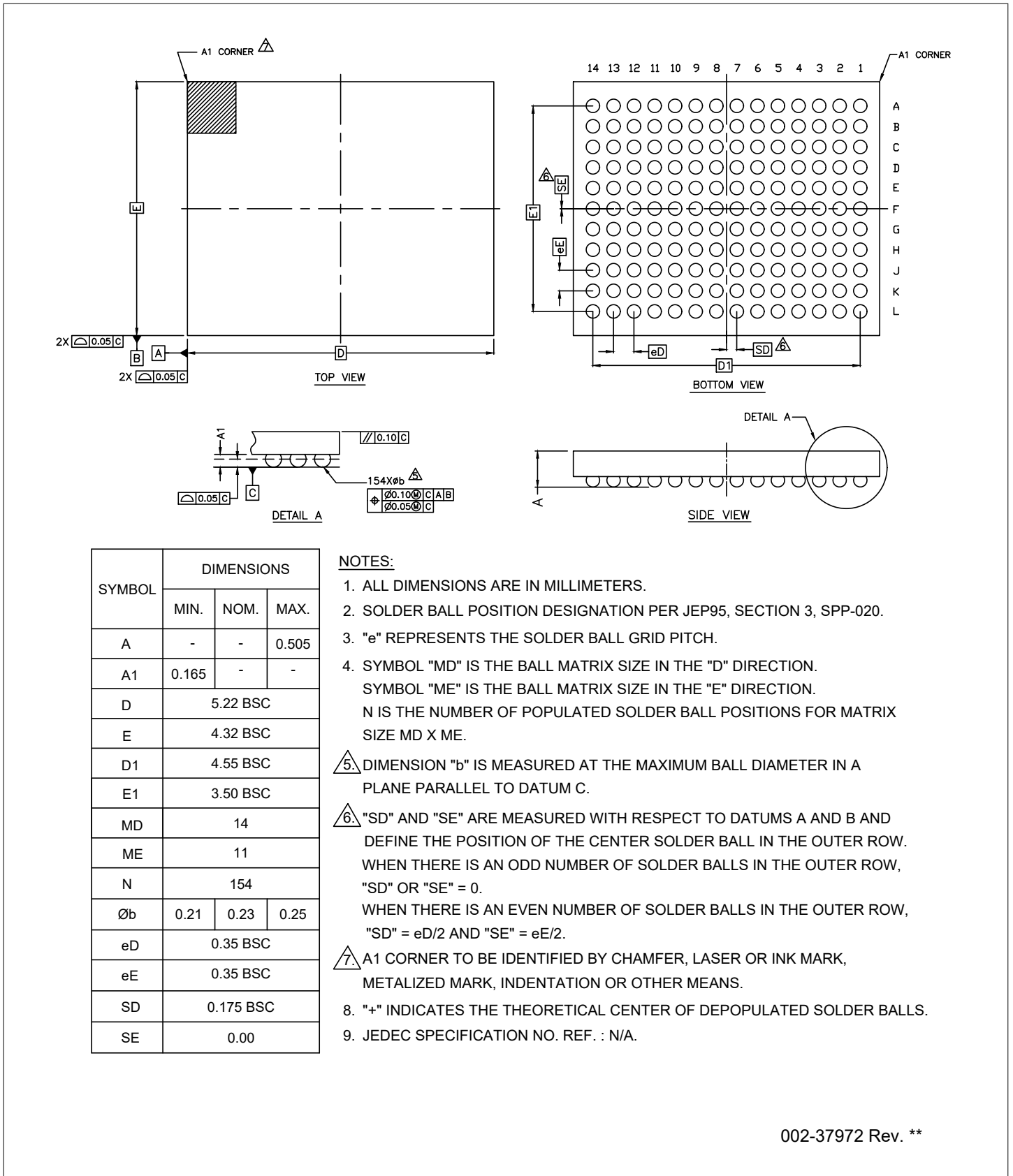
- ALL DIMENSIONS ARE IN MILLIMETERS.
- SOLDER BALL POSITION DESIGNATION PER JEP95, SECTION 3, SPP-020.
- "e" REPRESENTS THE SOLDER BALL GRID PITCH.
- SYMBOL "MD" IS THE BALL MATRIX SIZE IN THE "D" DIRECTION. SYMBOL "ME" IS THE BALL MATRIX SIZE IN THE "E" DIRECTION. N IS THE NUMBER OF POPULATED SOLDER BALL POSITIONS FOR MATRIX SIZE MD X ME.
- DIMENSION "b" IS MEASURED AT THE MAXIMUM BALL DIAMETER IN A PLANE PARALLEL TO DATUM C.
- "SD" AND "SE" ARE MEASURED WITH RESPECT TO DATUMS A AND B AND DEFINE THE POSITION OF THE CENTER SOLDER BALL IN THE OUTER ROW. WHEN THERE IS AN ODD NUMBER OF SOLDER BALLS IN THE OUTER ROW, "SD" OR "SE" = 0. WHEN THERE IS AN EVEN NUMBER OF SOLDER BALLS IN THE OUTER ROW, "SD" = eD/2 AND "SE" = eE/2.
- A1 CORNER TO BE IDENTIFIED BY CHAMFER, LASER OR INK MARK, METALIZED MARK, INDENTATION OR OTHER MEANS.
- "+" INDICATES THE THEORETICAL CENTER OF DEPOPULATED SOLDER BALLS.
- JEDEC SPECIFICATION NO. REF. : N/A.

002-37971 Rev. \*\*

Figure 18 eWLB-235, 7 x 7 x 0.7



10 Package information



002-37972 Rev. \*\*

Figure 19 WLB-154, 5.22 x 4.32 x 0.505

## 11 Errata

This section describes the errata for the PSOC™ Edge E8 product line. Details include errata trigger conditions, scope of impact, available workarounds, and silicon revision applicability.

For more details, contact [Infineon support](#).

### Part numbers affected

**Table 56** Part numbers affected

Part number	Device characteristics
All	PSOC™ Edge E8 product line

### PSOC™ Edge E8 qualification status

Silicon in Process

### PSOC™ Edge E8 errata summary

This table defines the errata applicability to available product line devices.

**Note:** Errata items, in the table below, are hyperlinked. Click on any item entry to jump to its description.

Items	PSOC™ Edge E8	Silicon revision	Fix status
[1]. <a href="#">Autonomous analog wake up timer glitch</a>	All	1 (B0)	Fix planned for B1 silicon revision
[2]. <a href="#">3.3 V GPIO high leakage</a>	All	1 (B0)	Fix planned for B1 silicon revision

#### 1. Autonomous analog wake up timer glitch

Problem definition	The 16-bit wake up timer of autonomous analog may produce terminal count (TC) events inconsistent with the count value written to the timer. This TC event is responsible for triggering the TIMER_DONE_WAKE condition used by the autonomous analog's state transition table for timing purposes. This condition is used for triggering and power-cycling the ADC and the other analog blocks at periodic intervals.
Parameters affected	Inconsistent or missing terminal count from the wake up timer.
Trigger condition(s)	Whenever the wake up timer is used (TIMER_DONE_WAKE condition in the state transition table).
Scope of impact	Lack of timed power-cycling of the ADC and the analog blocks. This results in higher power consumption because duty cycling is not possible with the internal timer.
Workaround	Do not use the autonomous analog's wake up timer and the TIMER_DONE_WAKE condition: <ul style="list-style-type: none"> <li>Use the continuous mode of the ADC and adjust the sample time and the number of samples accumulated to set a sample rate</li> <li>Use external means, such as the CPU to trigger the state transition table if external timing events are required</li> </ul> These workarounds will still be completely functional in B1 silicon revision.
Fix status	Will be fixed in B1 silicon revision.

**2. 3.3 V GPIO high leakage**

Problem definition	3.3 V capable GPIOs (ports P16 and P17) on some devices show higher leakage than expected in their 3.3 V range of operation.
Parameters affected	No specific parameters beyond leakage are affected. 3.3 V capable ports are still fully functional and can be used normally at their 3.3 V range for evaluation and development and prototype builds. Note the same Ports can be used in 1.8 V mode powered by a 1.8 V supply with full 1.8 V spec compliance.
Trigger condition(s)	Use of 3.3 V range of 3.3 V capable GPIOs
Scope of impact	Inability to use 3.3 V range of 3.3 V capable GPIOs in production on B0 silicon with leakage spec compliance
Workaround	Use 3.3 V GPIOs for evaluation and development and prototype builds
Fix status	Will be fixed in B1 silicon

## 12 Acronyms

**Table 57** Acronyms used in this document

Acronym	Description
AAD	acoustic activity detection
ADC	analog-to-digital converter
AES	advanced encryption standard
AVB	audio video bridging
AXI	advanced extensible interface
BLE	Bluetooth® low energy
BOD	brown-out detect
BT	Bluetooth®
CAN	controller area network
CANFD	controller area network flexible data-rate
CMOS	complementary metal oxide semiconductor
CPU	central processing unit
CRC	cyclic redundancy checker
CRYPTO	cryptographic accelerator
DAC	digital to analog converter
DBI	display bus interface
D-Cache	data cache
DES	data encryption standard
DICE	device identifier composition engine
DMA	direct memory access
DPLL	digital phase locked loop
DSI	digital Serial Interface (Usually in relation to MIPI DSI)
DSP	digital signal processor
D-TCM	data tightly coupled memory
ECC	error correcting code
ECC	elliptic curve cryptography
ECO	external crystal oscillators
EEPROM	electrically erasable programmable read-only memory
eMMC	embedded multimedia card
EPC	edge protect category
ETM	embedded trace macrocell
FIFO	first in, first out

**(table continues...)**

**Table 57** (continued) Acronyms used in this document

Acronym	Description
FPU	floating point unit
GPIO	general purpose input/output
GPU	graphics processing unit
HDR	high data rate
HFCLK DIV	high frequency clock divider
HMI	human-machine interface
HP	high performance
HPDMA	high performance direct memory access
HS USB	Hi-Speed universal serial bus
HSIOM	high-speed I/O matrix
HUK	hardware unique key
I2C	inter-integrated circuit
I2S	inter IC sound bus
I3C	improved inter integrated circuit
I-cache	instruction-cache
IDAU	implementation defined attribution unit
IHO	internal high-speed oscillator
IMO	internal main oscillator
IO	input output
IPC	inter-processor communication
IRQ	interrupt request
ISR	interrupt service routine
I-TCM	instruction tightly coupled memory
JTAG	joint test action group
LDO	low dropout
LP	low power
LPComp	low-power comparator
LUT	lookup table
LVD	low-voltage detection
LVTTTL	low-voltage transistor-transistor logic
MAC	media access control
MEMS	micro electro mechanical systems
MIPI	mobile industry preprocessor interface

**(table continues...)**

**Table 57** (continued) Acronyms used in this document

Acronym	Description
ML	machine learning
MMIO	memory mapped I/O
MPC	memory protection controller
MPU	memory protection unit
MTB	micro trace buffer
MVE	m-profile vector extension
NNLite	neural network lite
NVIC	nested vectored interrupt controller
NVM	non volatile memory
OTF	on-the-fly
OTP	one-time programmable
OVD	over voltage detection
OVT	over voltage tolerant
PAL	programmable array logic
PC	protection context
PCM	pulse code modulation
PDL	peripheral driver library
PDM	pulse density modulation
PGA	programmable gain amplifier
PHY	physical layer
PILO	precision Internal Low-speed Oscillator
PLD	programmable logic device
PLL	phase-locked loops
PMU	power management unit
POR	power-on reset
PPC	peripheral protection controller
PRNG	pseudo random number generator
PSA	platform security architecture
PTCOMP	programmable threshold comparator
QoS	quality of service
ROM	read-only memory
RoT	root of trust
RRAM	resistive random access memory

**(table continues...)**

**Table 57** (continued) Acronyms used in this document

Acronym	Description
RSA	rivest-shamir-adleman, a public-key cryptography algorithm
RTC	real-time clock
RTOS	real time operating system
SAR	successive approximation register
SAU	secure attribution unit
SCA	side channel attack
SCB	serial communication blocks
SD	secure digital
SDHC	secure digital host controller
SDIO	secure digital input output
SDK	software development kit
SDR	single data rate
SHA	secure hash algorithm
SISO	single in single out
SMIF	serial memory interface
SNR	signal-to-noise ratio
SoCMEM	system on chip memory, also called system SRAM
SOD	speech onset detection
SPI	serial peripheral interface
SRAM	static random access memory
SRES	software reset
SRSS	system resources subsystem
TCPWM	timer/counter pulse-width modulator
TDM	time division multiplexing
TIA	transimpedance amplifier
TPIU	trace port interface unit
TRNG	true random number generator
UART	universal asynchronous transmitter receiver
UDS	unique device secret
ULP	ultra low power
USB	universal serial bus
VLAN	virtual local area network
WCO	watch crystal oscillator

**(table continues...)**

**Table 57** (continued) Acronyms used in this document

<b>Acronym</b>	<b>Description</b>
WDT	watch dog timer
WFE	wait for event
WIC	wakeup interrupt controller
Wifi	wireless fidelity
XIP	execute-in-place
XRES	external reset



## 13 Document conventions

### 13.1 Units of measure

Symbol	Units of measure
°C	Degree Celsius
KB	1024 bytes
kHz	Kilohertz
Mbps	Megabits per second
Msps	Megasamples per second
MHz	Megahertz
ns	Nanosecond
%	Percent
V	Volt
mV	Millivolt
Ω	Ohm
kΩ	Kiloohm
MΩ	Megaohm
μF	Microfarad
μH	Microhenry
μs	Microseconds
ms	Millisecond
ps	Picosecond
MB	Megabyte
ksps	Kilosamples per second
pF	Picofarad
F	Farad
μA	Microampere
mA	Milliamperere
nA	Nanoampere
μW	Microwatt
dB	Decibel
FSR	Full scale range
ppm	Parts per million

---

Revision history

**Revision history**

Document revision	Date	Description of changes
*J	2025-11-04	Release to web

## Trademarks

The Bluetooth® word mark and logos are registered trademarks owned by Bluetooth SIG, Inc., and any use of such marks by Infineon is under license.

PSOC™, formerly known as PSoC™, is a trademark of Infineon Technologies. Any references to PSoC™ in this document or others shall be deemed to refer to PSOC™.

## Trademarks

All referenced product or service names and trademarks are the property of their respective owners.

**Edition 2025-11-04**

**Published by**

**Infineon Technologies AG**

**81726 Munich, Germany**

**© 2025 Infineon Technologies AG**

**All Rights Reserved.**

**Do you have a question about any aspect of this document?**

**Email: [erratum@infineon.com](mailto:erratum@infineon.com)**

**Document reference**

**IFX-syr1681316374606**

## Important notice

The information given in this document shall in no event be regarded as a guarantee of conditions or characteristics ("Beschaffheitsgarantie").

With respect to any examples, hints or any typical values stated herein and/or any information regarding the application of the product, Infineon Technologies hereby disclaims any and all warranties and liabilities of any kind, including without limitation warranties of non-infringement of intellectual property rights of any third party.

In addition, any information given in this document is subject to customer's compliance with its obligations stated in this document and any applicable legal requirements, norms and standards concerning customer's products and any use of the product of Infineon Technologies in customer's applications.

The data contained in this document is exclusively intended for technically trained staff. It is the responsibility of customer's technical departments to evaluate the suitability of the product for the intended application and the completeness of the product information given in this document with respect to such application.

## Warnings

Due to technical requirements products may contain dangerous substances. For information on the types in question please contact your nearest Infineon Technologies office.

Except as otherwise explicitly approved by Infineon Technologies in a written document signed by authorized representatives of Infineon Technologies, Infineon Technologies' products may not be used in any applications where a failure of the product or any consequences of the use thereof can reasonably be expected to result in personal injury.