

HINGED COVER, CONTOURED WITH QUICK-RELEASE LATCH, TYPE 12



INDUSTRY STANDARDS

UL 508A Listed; Type 12, 13; File No. E61997
 cUL Listed per CSA C22.2 No. 94; Type 12, 13; File No. E61997

NEMA/EEMAC Type 12 and 13
 IEC 60529, IP65

APPLICATION

Featuring a quick-release latch, mounting brackets, rounded corners and an attractive finish, this enclosure can be used in applications where panel or cover mounting of controls is desired. Ideal for protecting equipment from indoor contaminants.

SPECIFICATIONS

- Drawn 16 gauge steel; no welded seams or sharp corners
- Cover is removable and interchangeable
- Unique lift-off hinges
- Quick-release latches
- Oil-resistant gasket
- Weldnuts for mounting optional panels and terminal block kits
- External wall-mounting brackets
- Bonding provision on door

FINISH

ANSI 61 gray polyester powder paint inside and out

ACCESSORIES

See also *Accessories*.

Panels for Junction Boxes

Terminal Block Kit Assembly for Junction Boxes Overview

Steel and Stainless Steel Window Kits

MODIFICATION AND CUSTOMIZATION

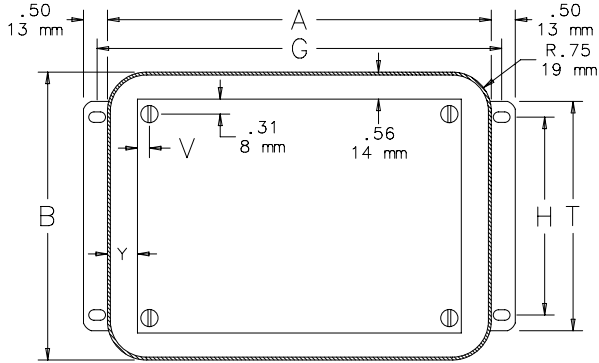
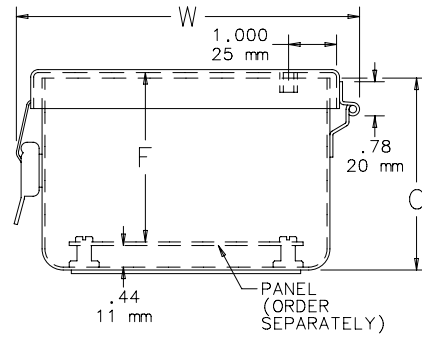
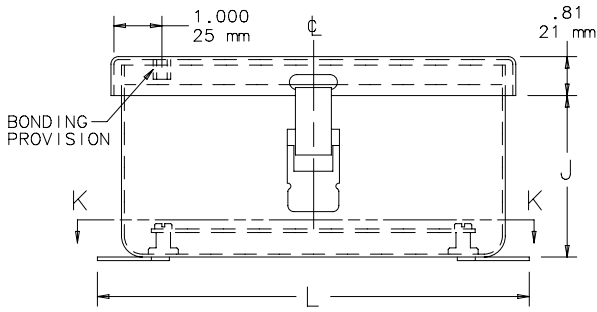
Hoffman excels at modifying and customizing products to your specifications. Contact your local Hoffman sales office or distributor for complete information.

BULLETIN: A51

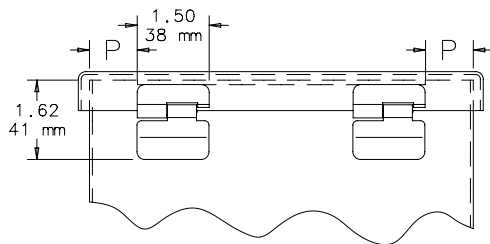
Standard Product

Catalog Number	AxBxC in./mm	Panel	Conductive Panel	Panel Size in./mm	Mounting G x H in./mm	Overall L x W in./mm	F in./mm	J in./mm	P in./mm	T in./mm	V in./mm	Y in./mm
A664DL	6.00 x 6.00 x 4.00	A6P6	A6P6G	4.88 x 4.88	6.50 x 4.12	7.00 x 7.12	3.59	3.33	1.00	4.75	0.31	0.56
	152 x 152 x 102			124 x 124	165 x 105	178 x 181	91	85	25	121	8	14
A864DL	8.00 x 6.00 x 4.00	A8P6	A8P6G	6.75 x 4.88	8.50 x 4.12	9.00 x 7.12	3.59	3.33	1.00	4.75	0.25	0.62
	203 x 152 x 102			171 x 124	216 x 105	229 x 181	91	85	25	121	6	16
A1084DL	10.00 x 8.00 x 4.00	A10P8	A10P8G	8.75 x 6.88	10.50 x 4.12	11.00 x 9.12	3.59	3.33	1.00	4.75	0.25	0.62
	254 x 203 x 102			222 x 175	267 x 105	279 x 232	91	85	25	121	6	16
A12104DL	12.00 x 10.00 x 4.00	A12P10	A12P10G	10.75 x 8.88	12.50 x 8.12	13.00 x 11.12	3.59	3.33	1.25	8.75	0.25	0.62
	305 x 254 x 102			273 x 226	318 x 206	330 x 282	91	85	32	222	6	16
A666DL	6.00 x 6.00 x 6.00	A6P6	A6P6G	4.88 x 4.88	6.50 x 4.12	7.00 x 7.12	5.59	5.33	1.00	4.75	0.31	0.56
	152 x 152 x 152			124 x 124	165 x 105	178 x 181	142	135	25	121	8	14
A866DL	8.00 x 6.00 x 6.00	A8P6	A8P6G	6.75 x 4.88	8.50 x 4.12	9.00 x 7.12	5.59	5.33	1.00	4.75	0.25	0.62
	203 x 152 x 152			171 x 124	216 x 105	229 x 181	142	135	25	121	6	16
A1086DL	10.00 x 8.00 x 6.00	A10P8	A10P8G	8.75 x 6.88	10.50 x 4.12	11.00 x 9.12	5.59	5.33	1.00	4.75	0.25	0.62
	254 x 203 x 152			222 x 175	267 x 105	279 x 232	142	135	25	121	6	16
A12106DL	12.00 x 10.00 x 6.00	A12P10	A12P10G	10.75 x 8.88	12.50 x 8.12	13.00 x 11.12	5.59	5.33	1.25	8.75	0.25	0.62
	305 x 254 x 152			273 x 226	318 x 206	330 x 282	142	135	32	222	6	16
A12108DL	12.00 x 10.00 x 8.00	A12P10	A12P10G	10.75 x 8.88	12.50 x 8.12	13.00 x 11.12	7.59	7.33	1.25	8.75	0.25	0.62
	305 x 254 x 203			273 x 226	318 x 206	330 x 282	193	186	32	222	6	16

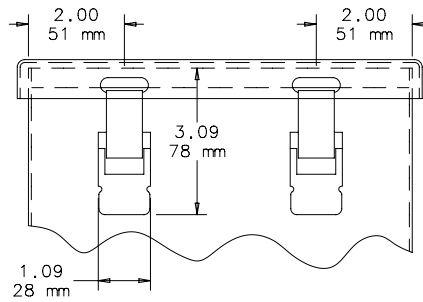
Purchase panels separately. Optional stainless steel, conductive, composite and aluminum panels are available for most sizes.



SECTION K-K



View showing hinge side of box.



87573750

View showing latch side of box when two latches are used. When A=12.00 (305mm), use two latches.