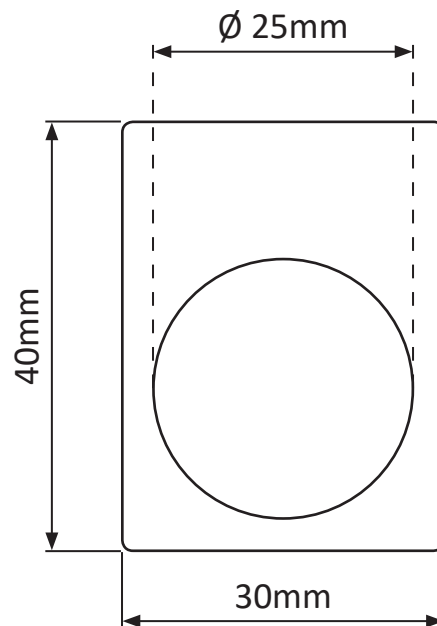


Datasheet

Stock No: 175-3964

Legend Plate with “REVERSE” Marking



Specifications:

- Product Type: Legend Plate
- Product Category: Marking Accessory
- Compatible with: $\varnothing 22.5\text{mm}$ Control or Signalling Unit
- Dimensions: 30mm x 40mm
- Marking: “REVERSE”
- Language: English