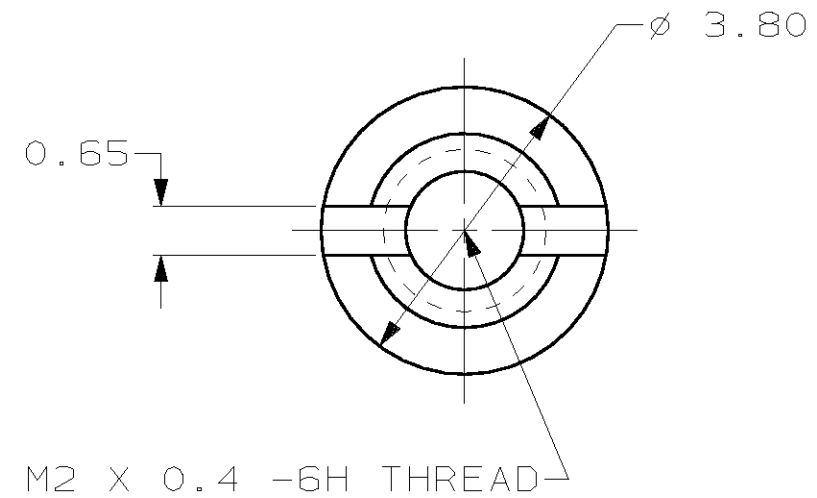
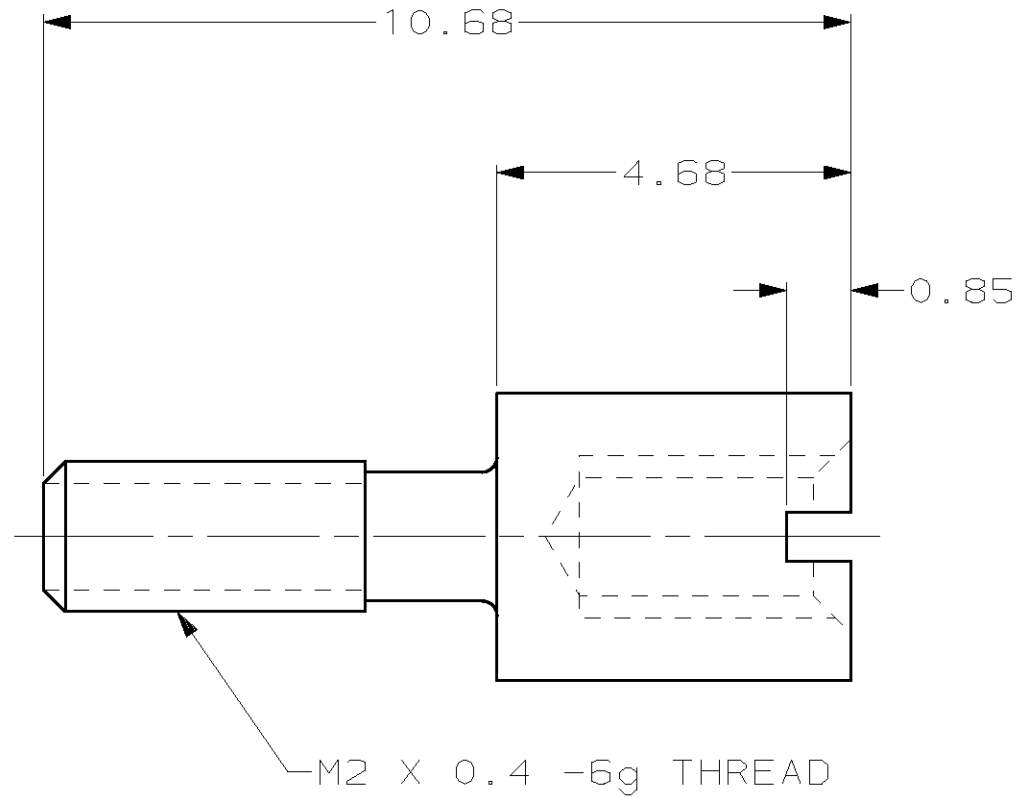


THIS DRAWING IS UNPUBLISHED. RELEASED FOR PUBLICATION, 19 .
© COPYRIGHT 19 BY AMP INCORPORATED. ALL INTERNATIONAL RIGHTS RESERVED.

| LOC | DIST | P | F | ZONE | LTR | DESCRIPTION | DATE | APPD |
|-----|------|---|---|------|-----|-----------------------------|---------|------|
| GP | 00 | | | | B | REVISED PER EC 0513-0408-02 | 01NOV02 | JG |



1. DESIGNED FOR USE WITH 1.12±0.08 THICK PANEL.

| | | |
|----------|-----|----------|
| | 200 | 787004-3 |
| OBSOLETE | 2 | 787004-2 |
| QTY | | PART NO |

| | | | |
|--|------------------------------|--|---|
| DO NOT SCALE PRINT. UNLESS SPECIFIED DIMENSIONS IN mm TOLERANCES ON: 2 PLC DEC ± 0.13 3 PLC DEC ± - ANGLES ± - | DR 08/20/93 S.G. SMITH | AMP AMP Incorporated Harrisburg, PA 17105-3608 | |
| | CHK 08/20/93 J.J. CONSOLI | | |
| | MATERIAL STAINLESS STEEL | APPD 07/13/94 J. MOSIER | NAME SCREWLOCK, BOARDMOUNT, 0.8mm CHAMP |
| | FINISH - | APPD 07/13/94 D. ALBERT | SIZE B |
| | PRODUCT SPEC 108-1471 | CAGE CODE 00779 | DRAWING NO C-787004 |
| | APPLICATION SPEC - | SCALE 10:1 | SHEET 1 OF 1 |
| | WEIGHT - | | |

THIS DRAWING IS A CONTROLLED DOCUMENT FOR AMP INCORPORATED. IT IS SUBJECT TO CHANGE AND THE CONTROLLING ENGINEERING ORGANIZATION SHOULD BE CONTACTED FOR THE LATEST REVISION.