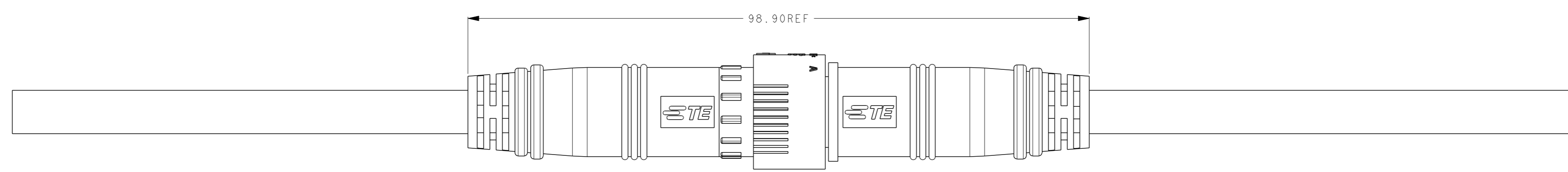
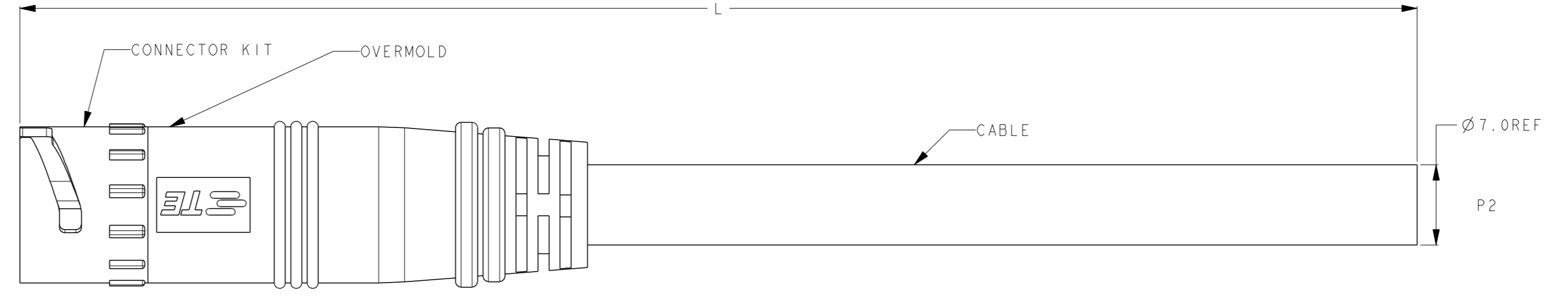
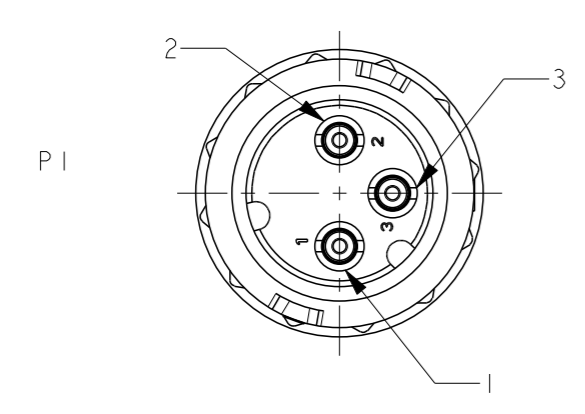


THIS DRAWING IS UNPUBLISHED. RELEASED FOR PUBLICATION 20  
 © COPYRIGHT 20 BY - ALL RIGHTS RESERVED.

LOC		DIST		REVISIONS			
P	LTR	DESCRIPTION	DATE	DWN	APVD		
	A	RELEASE	02APR2015	M.S	X.X		
	A1	UPDATE TABLE	16APR2015	M.S	X.X		



MATE WITH 2834002 SERIES

WIRING DIAGRAM		
P1	WIRE COLOR	P2
P1-1	RED	-
P1-2	BLACK	-
P1-3	BROWN	-

NOTES:  
 1. MATE WITH 2834002 SERIES.  
 2. RATINGS:  
 VOLTAGE: 300V AC/DC  
 CURRENT: 6A MAX.  
 TEMPERATURE: 80°C

P/N	CABLE	DIM A	L (mm)
9-2834003-1	RUBBER (THERMOPLASTIC ELASTOMER TYPE)	Ø8.0	150±5
9-2834003-2			250±10
9-2834003-3			500±15
9-2834003-4			1000±15

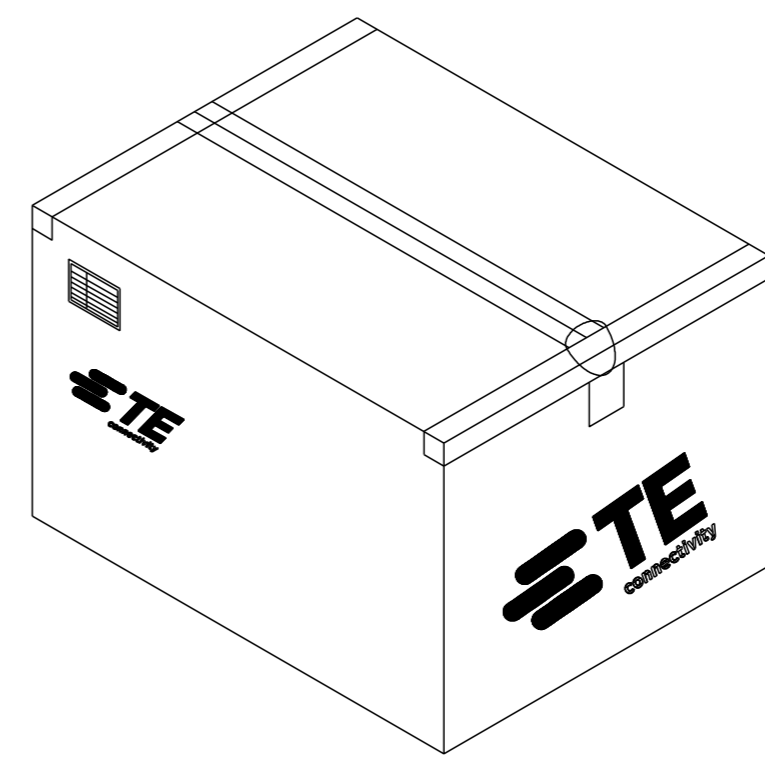
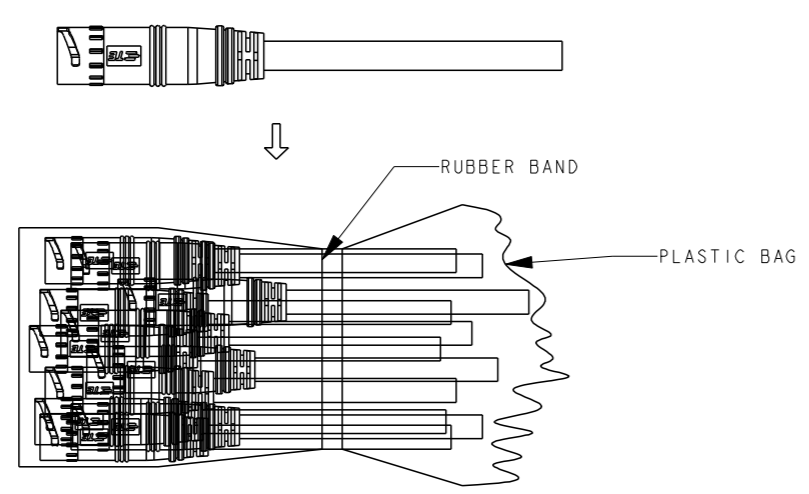
THIS DRAWING IS A CONTROLLED DOCUMENT.		DWN SHI MING 10SEP2014	<b>STE</b> TE Connectivity	
DIMENSIONS: mm		CHK SHI MING 10SEP2014		
TOLERANCES UNLESS OTHERWISE SPECIFIED:		APVD XU XIANG 10SEP2014	NAME 3P FEMALE CABLE ASSEMBLY CIRCULAR LIGHTING SEALED CONN.	
0 PLC ± 1 PLC ±0.5 2 PLC ±0.5 3 PLC ± 4 PLC ± ANGLES ± FINISH ±		PRODUCT SPEC 108-173041	SIZE A2	
MATERIAL -		APPLICATION SPEC 114-173041	CAGE CODE -	DRAWING NO C=2834003
		WEIGHT -	RESTRICTED TO -	
		Customer Drawing	SCALE 1:2	SHEET 1 OF 2 REV A1

THIS DRAWING IS UNPUBLISHED. RELEASED FOR PUBLICATION 20  
 © COPYRIGHT 20 BY - ALL RIGHTS RESERVED.

LOC		DIST		REVISIONS			
P	LTR	DESCRIPTION	DATE	DWN	APVD		
-	-	SEE SHEET 1	-	-	-		

1. PUT PIECES OF PARTS INTO THE PLASTIC BAG, AND SEALED WITH RUBBER BAND AS 1 BUNCH.

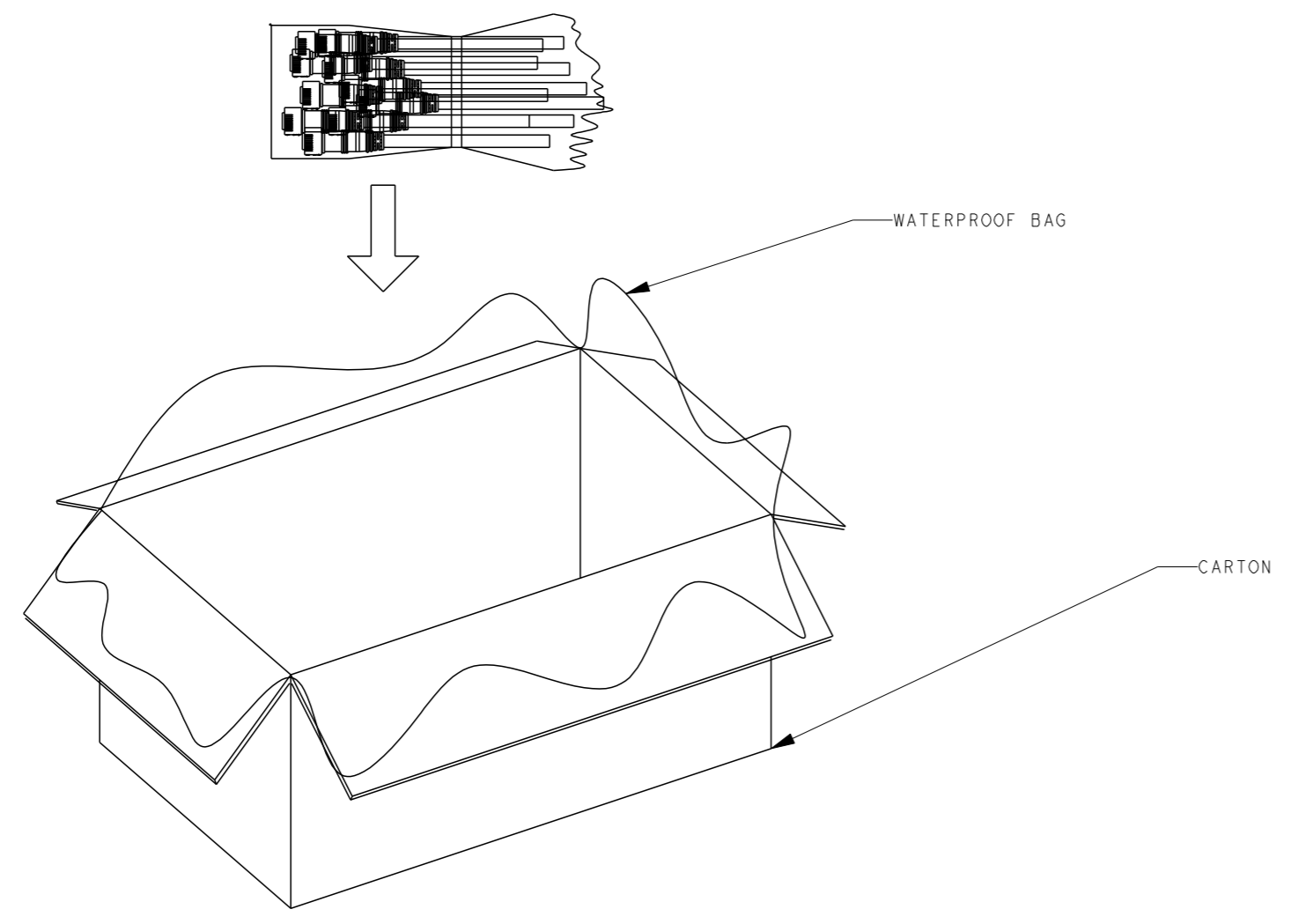
3. SEAL THE CARTON.



2. PUT BUNCHES OF PARTS INTO CARTON.

4. PACKAGING QUANTITIES (REFER SHEET 1 FOR PN DEFINITION):

P/N	PARTS PER CARTON (PCS)
9-2834003-1	400
9-2834003-2	260
9-2834003-3	90
9-2834003-4	60



THIS DRAWING IS A CONTROLLED DOCUMENT.		DWN SHI MING 10SEP2014	<b>TE</b> TE Connectivity	
DIMENSIONS: mm		CHK SHI MING 10SEP2014		
TOLERANCES UNLESS OTHERWISE SPECIFIED:		APVD XU XIANG 10SEP2014	NAME 3P FEMALE CABLE ASSEMBLY CIRCULAR LIGHTING SEALED CONN.	
0 PLC ±-		PRODUCT SPEC 108-173041	SIZE A2	
1 PLC ±0.5		APPLICATION SPEC 114-173041	CAGE CODE -	DRAWING NO C=2834003
2 PLC ±0.5		WEIGHT -	RESTRICTED TO -	
3 PLC ±-		Customer Drawing	SCALE 1:2	SHEET 2 OF 2
4 PLC ±-				REV A1
ANGLES ±-				
FINISH ±-				