

## Datasheet

# RS Pro Brushless DC Motor, 24 V dc, 0.066 Nm, 4500 rpm, 4mm Shaft Diameter

RS Stock No: **892-8760**



## Product Details

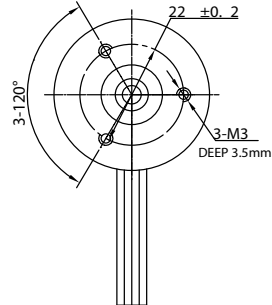
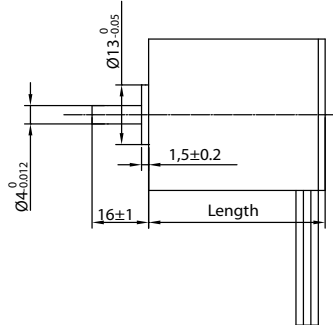
RS Pro brushless DC motor has a hall effect sensor with 120° electrical angle. It operates at a voltage rating of 24 V dc. This motor belongs to the range of motors with integrated communication electronics.

## Features and Benefits

- Shaft diameter of 4 mm
- Class B insulation
- Speed control feedback via hall sensor
- Supply voltage of 24 V dc
- 4500 rpm output speed
- Different voltage versions
- Current rating of 1.45 A
- 0.066 Nm maximum output torque

**Specifications:**

DC Motor Type	Brushless
Standards Met	CE; RoHS Compliant
Length	38 mm
Shaft Diameter	4 mm
Current Rating	1.45 A
Dimensions	33 (dia.) x 38 mm
Maximum Output Torque	0.022 Nm
Output Speed	4500 rpm
Supply Voltage	24 V dc
Peak Current	1.45 A
Peak Torque	0.066 Nm



### Specification

Model		8928760	
1	N° OF POLE	4	4
2	N° OF PHASE	3	3
3	RATED VOLTAGE	V	24
4	RATED SPEED	RPM	4500
5	RATED TORQUE	NM	0,022
6	MAX PEAK TORQUE	NM	0,066
7	TORQUE CONSTANT	NM/A	0,046
8	LINE TO LINE RESISTANCE	Ω	14,2
9	LINE TO LINE INDUCTANCE	MH	7
10	MAX PEAK CURRENT	A	1,45
11	LENGTH	MM	38
12	ROTOR INERTIA	G-CM <sup>2</sup>	2,94
13	WEIGHT	KG	0,115

### Characteristics

HALL EFFECT ANGLE  
120 ° ELECTRIC ANGLE

SHAFT RUN OUT  
0,025 MM

INSULATION CLASS  
B

RADIAL PLAY  
0,02 MM (450 G LOAD)

AXIAL PLAY  
0,08 MM (450 G LOAD)

MAX RADIAL FORCE  
15N 10MM FROM FLANGE

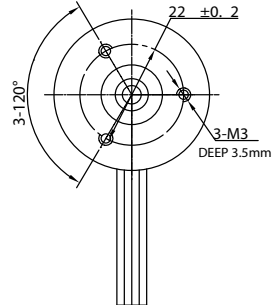
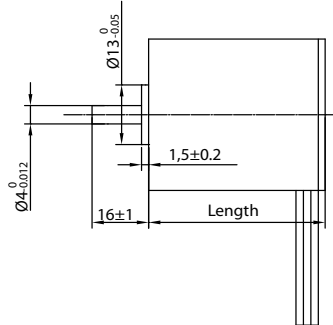
MAX AXIAL FORCE  
10N

DIELECTRIC STRENGTH  
500 VDC FOR ONE MINUTE

INSULATION RESISTANCE  
100 M OHM MIN. 500 VDC

### Connection

LEAD N°	COLOR	GAUGE	FUNCTION
1	YELLOW	UL1430 AWG26	Vcc HALL SENSOR +5 TO +24 Vdc
2	BLUE	UL1430 AWG26	HALL A
3	ORANGE	UL1430 AWG26	HALL B
4	BROWN	UL1430 AWG26	HALL C
5	WHITE	UL1430 AWG26	GND HALL SENSOR GROUND
6	GREEN	UL1430 AWG22	PHASE U
7	RED	UL1430 AWG22	PHASE V
8	BLACK	UL1430 AWG22	PHASE W



## Specification

Model		8928760	
1	N° OF POLE	4	4
2	N° OF PHASE	3	3
3	RATED VOLTAGE	V	24
4	RATED SPEED	RPM	4500
5	RATED TORQUE	NM	0,022
6	MAX PEAK TORQUE	NM	0,066
7	TORQUE CONSTANT	NM/A	0,046
8	LINE TO LINE RESISTANCE	Ω	14,2
9	LINE TO LINE INDUCTANCE	MH	7
10	MAX PEAK CURRENT	A	1,45
11	LENGTH	MM	38
12	ROTOR INERTIA	G-CM <sup>2</sup>	2,94
13	WEIGHT	KG	0,115

## Characteristics

HALL EFFECT ANGLE  
120 ° ELECTRIC ANGLE

SHAFT RUN OUT  
0,025 MM

INSULATION CLASS  
B

RADIAL PLAY  
0,02 MM (450 G LOAD)

AXIAL PLAY  
0,08 MM (450 G LOAD)

MAX RADIAL FORCE  
15N 10MM FROM FLANGE

MAX AXIAL FORCE  
10N

DIELECTRIC STRENGTH  
500 VDC FOR ONE MINUTE

INSULATION RESISTANCE  
100 M OHM MIN. 500 VDC

## Connection

LEAD N°	COLOR	GAUGE	FUNCTION
1	YELLOW	UL1430 AWG26	VCC HALL SENSOR +5 TO +24 VDC
2	BLUE	UL1430 AWG26	HALL A
3	ORANGE	UL1430 AWG26	HALL B
4	BROWN	UL1430 AWG26	HALL C
5	WHITE	UL1430 AWG26	GND HALL SENSOR GROUND
6	GREEN	UL1430 AWG22	PHASE U
7	RED	UL1430 AWG22	PHASE V
8	BLACK	UL1430 AWG22	PHASE W