

Datasheet

RS PRO INDUCTIVE PROXIMITY SENSORS

Stock No: 2066166





Detailed technical data

Features

| | |
|--------------------------|---------------------------|
| Housing | Cylindrical thread design |
| Housing | Standard |
| Thread size | M30 x 1.5 |
| Diameter | Ø 30 mm |
| Sensing range S_n | 38 mm |
| Safe sensing range S_a | 30.78 mm |
| Installation type | Non-flush |
| Switching frequency | 100 Hz |
| Connection type | Male connector M12, 4-pin |
| Switching output | PNP |
| Output function | NO |
| Electrical wiring | DC 3-wire |
| Enclosure rating | IP67 1) |
| Special features | Triple sensing range |

1) According to EN 60529.

Mechanics/electronics

| | |
|--------------------------------|---------------------|
| Supply voltage | 10 V DC ... 30 V DC |
| Ripple | ≤ 10 % |
| Voltage drop | ≤ 2 V 1) |
| Current consumption | 10 mA 2) |
| Time delay before availability | ≤ 200 ms |
| Warm-up time | 90 s |
| Hysteresis | 1 % ... 15 % |

| | |
|-----------------------------------|---|
| Reproducibility | ≤ 5 % ^{3) 4)} |
| Temperature drift (of Sr) | ± 10 % |
| EMC | According to EN 60947-5-2 |
| Continuous current I _a | ≤ 200 mA |
| Current consumption, no load | ≤ 10 mA |
| Short-circuit protection | ✓ |
| Reverse polarity protection | ✓ |
| Power-up pulse protection | ✓ |
| Shock and vibration resistance | 30 g, 11 ms/10 Hz ... 55 Hz, 1 mm |
| Ambient operating temperature | -25 °C ... +75 °C |
| Ambient storage temperature | -25 °C ... +75 °C |
| Housing material | Brass, nickel-plated |
| Sensing face material | Plastic, PA 66 |
| Housing length | 71 mm |
| Thread length | 41 mm |
| Tightening torque, max. | ≤ 70 Nm |
| Items supplied | Mounting nut, brass, nickel-plated (2x) |
| UL File No. | NRKH.E181493 |

1) At I_a max.

2) Without load.

3) U_b and T_a constant.

4) Of S_r.

Safety-related parameters

| | |
|-------------------|-------------|
| MTTF _D | 1,735 years |
| DC _{avg} | 0% |

Reduction factors

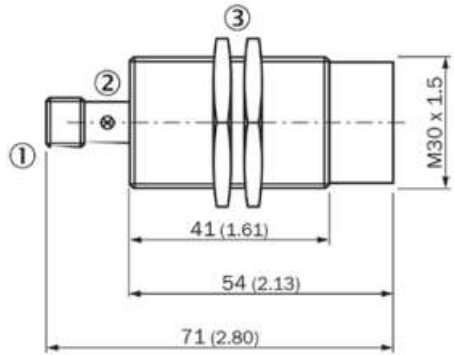
| | |
|----------------------------|--|
| Note | The values are reference values which may vary |
| St37 steel (Fe) | 1 |
| Stainless steel (V2A, 304) | Approx. 0.77 |
| Aluminum (Al) | Approx. 0.44 |
| Copper (Cu) | Approx. 0.37 |
| Brass (Br) | Approx. 0.46 |

Installation note

| | |
|--------|---------------------------------------|
| Remark | Associated graphic see "Installation" |
| A | 80 mm |
| B | 180 mm |
| C | 30 mm |
| D | 114 mm |
| E | 35 mm |
| F | 380 mm |

Dimensional drawing (Dimensions in mm (inch))

IME30 Standard, connector, non-flush



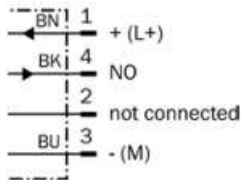
- 1 Connection
- 2 Indication LED
- 3 Fastening nuts (2x); width across 36, metal

Connection type



Connection diagram

Cd-007



Instruction for installation

Non-flush installation

