

Datasheet

ENGLISH

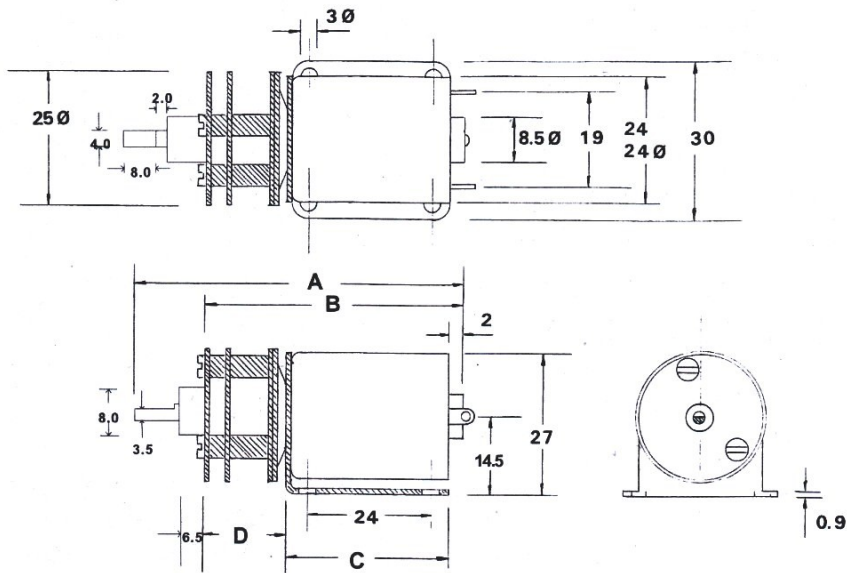
RS PRO, 12 V dc, 1500 gcm, Brushed DC Geared Motor, Output Speed 8 rpm

Stock No: 420-647



Specifications:

Output Speed	8 rpm
Supply Voltage	12 V dc
Maximum Output Torque	1500 g.cm
DC Motor Type	Brushed
Shaft Diameter	4mm
Power Rating	1.31 W
Gearhead Type	Spur
Length	53.3mm
Width	27mm
Current Rating	190 mA
Weight	89g



Operating relative humidity 20% ~ 85%
 Operating temperature range -10°C ~ +60°C

Ratio	A	B	C	D
1024:1	69.5mm	53.3mm	33.5mm	19.3mm

Gearbox Housing material	Metal
Backlash at no-load	< 2°
Bearing at output	Sleeve bearings
Radial load (10mm from flange)	< 0.3 kgf
Shaft axial load	< 0.2 kgf
Shaft press fit force max	< 2 kgf
Radial play of shaft	< 0.05mm
Thrust play of shaft	< 0.3mm

Reduction Table RPM SUPPLY VOLTAGE	6v	12v	18v	24v
420-647	4	8	12	16

Note: Motor speeds may vary by (+) or (-) 12.5%