

Datasheet

RS Pro Steel Zinc Plated Toggle Latch, Lockable, Lock not included, 357kgf Op.Tension

RS Stock No: **436-9971**



Product Details

RS Pro toggle latch is made of durable steel with zinc plated finish. The lockable latch with out lock, has an operating tension of 357 kgf. This shock resistant latch withstands heavy vibration. It features locking mechanism to prevent accidental opening.

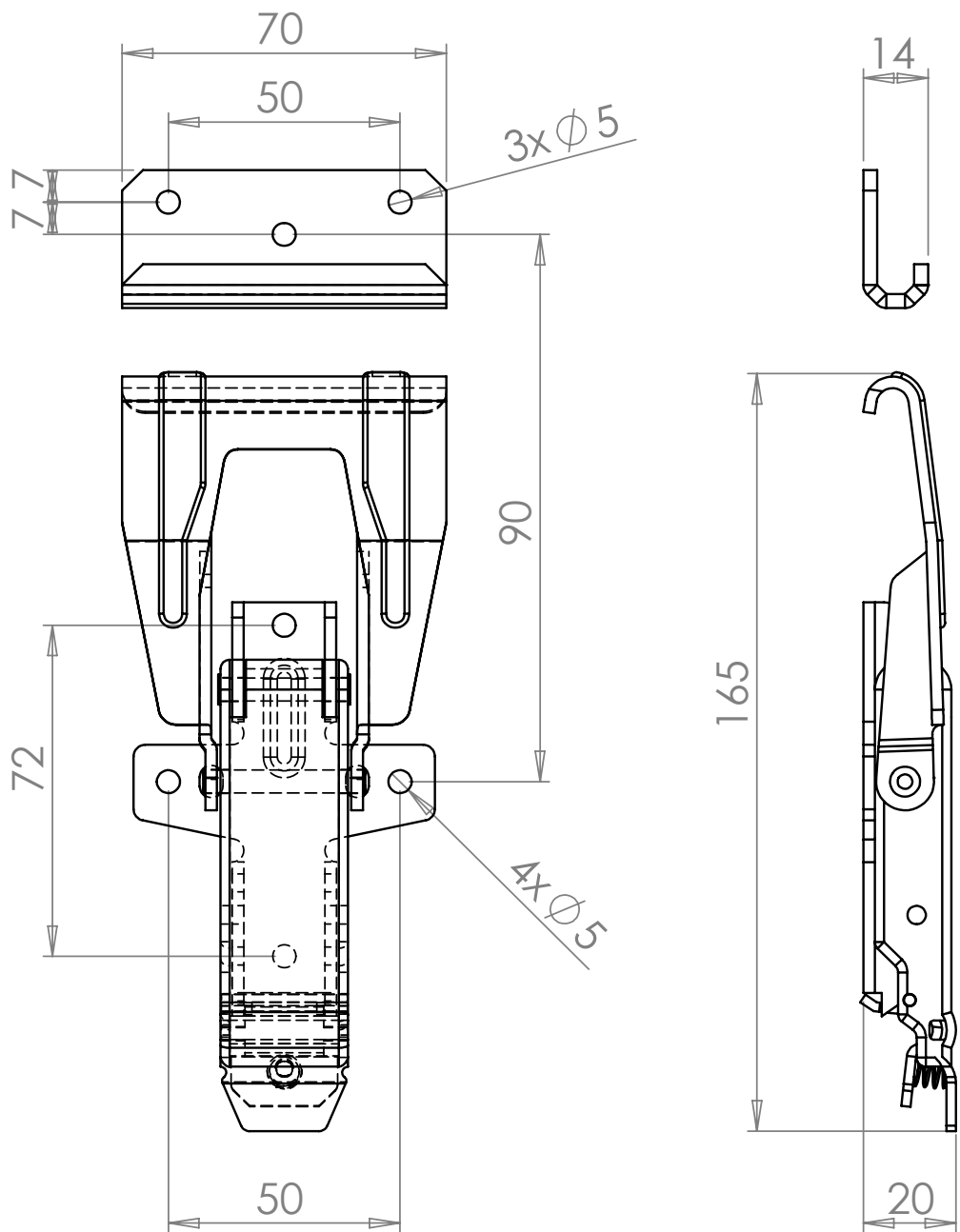
Features and Benefits

- High strength latch plus catch
- Comes in black colour
- Plastic, steel construction
- 3.5 mm fixing holes
- Holding force of 13 kg



Specifications:

Depth	19 mm
Finish	Zinc Plated
Lockable	Yes, Lock Not Included
Material	Steel
Operating Tension	357 kgf
Width	70 mm



436-9971 : Zinc plated steel
 436-9993 : Stainless steel