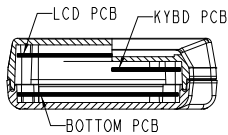
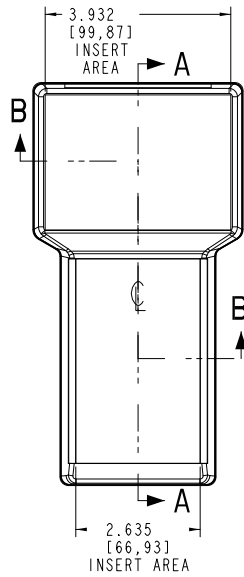
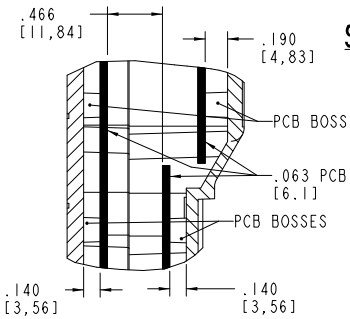


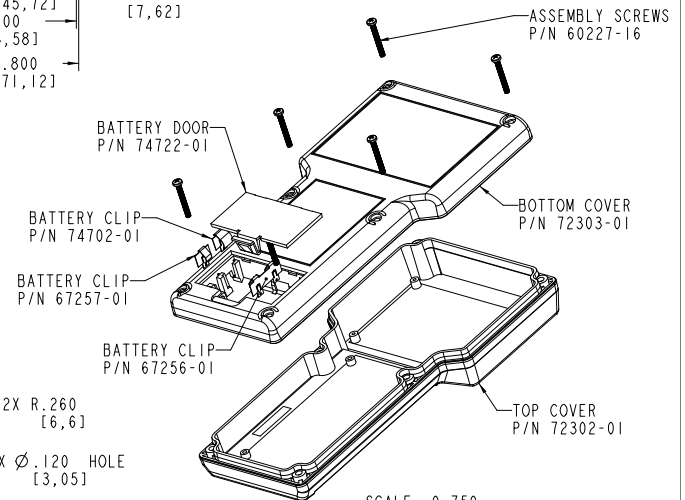
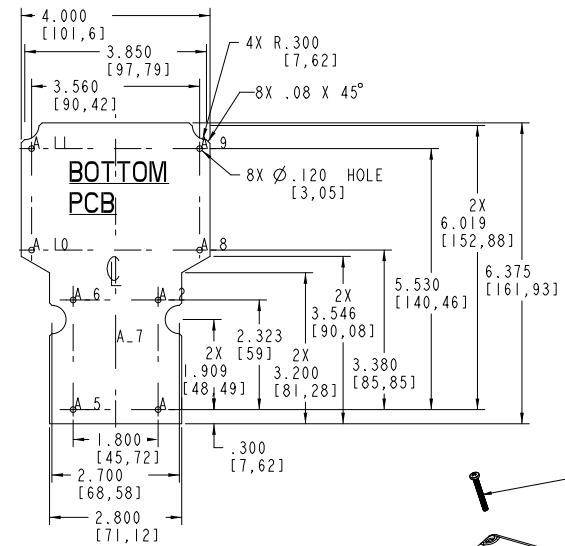
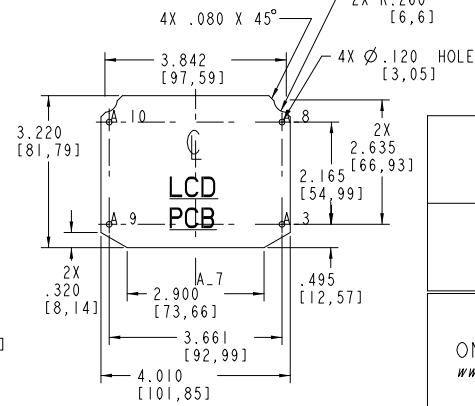
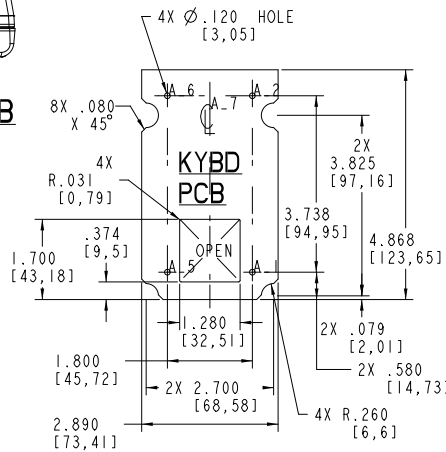
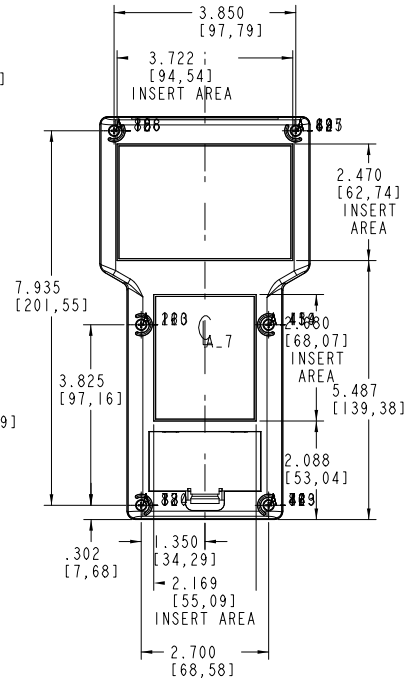
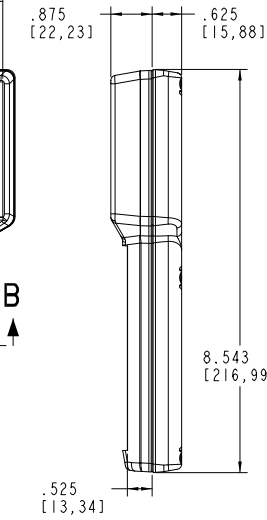
SECTION A-A



SECTION B-B



DETAIL C
SCALE 2.000



SCALE 0.750

PACNTEC®
1-610-361-4200

TT-9VB/2AA

VISIT **PACNTEC®**
ON THE WORLD WIDE WEB
www.pactecenclosures.com

COLOR / MATERIAL CODE		
COLOR	94HB	94VO
BLACK	000	028
P. C. BONE	039	060

DRAWING NUMBER	REV
75209	D