

SIRIUS soft starter 200-480 V 470 A, 110-250 V AC spring-type terminals Analog output



Figure similar

Product brand name	SIRIUS
Product category	Hybrid switching devices
Product designation	Soft starter
Product type designation	3RW50
Manufacturer's article number	<ul style="list-style-type: none"> • of HMI module usable 3RW5980-0HS01 • of HMI-Modul high-feature usable 3RW5980-0HF00 • of communication module PROFINET standard usable 3RW5980-0CS00 • of communication module PROFIBUS usable 3RW5980-0CP00 • of communication module Modbus TCP usable 3RW5980-0CT00 • of communication module Modbus RTU usable 3RW5980-0CR00 • of communication module Ethernet/IP 3RW5980-0CE00 • of circuit breaker usable at 400 V 3VA2580-6HN32-0AA0; Type of assignment 1, Iq = 65 kA • of circuit breaker usable at 500 V 3VA2580-6HN32-0AA0; Type of assignment 1, Iq = 65 kA • of the gG fuse usable up to 690 V 2x3NA3365-6; Type of coordination 1, Iq = 65 kA • of full range R fuse link for semiconductor protection usable up to 690 V 3NE1 436-2; Type of coordination 2, Iq = 65 kA

- of back-up R fuse link for semiconductor protection usable up to 690 V
- of line contactor usable up to 480 V
- of line contactor usable up to 690 V

[3NE3 340-8; Type of coordination 2, I_q = 65 kA](#)

3RT1076

3RT1076

General technical data

Starting voltage [%]	30 ... 100 %
Stopping voltage [%]	50 ... 50 %
Start-up ramp time of soft starter	0 ... 20 s
Stopping time of soft starter	0 ... 20 s
Current limiting value [%] adjustable	130 ... 700 %
Accuracy class acc. to IEC 61557-12	5 %
Certificate of suitability	
• CE marking	Yes
• UL approval	Yes
• CSA-approval	Yes
Product component	
• is supported HMI-Standard	Yes
• is supported HMI-High Feature	Yes
Product feature integrated bypass contact system	Yes
Number of controlled phases	2
Trip class	CLASS 10A / 10E (preset) / 20E; acc. to IEC 60947-4-2
Recovery time	300 s
Insulation voltage	
• rated value	600 V
Degree of pollution	3, acc. to IEC 60947-4-2
Impulse voltage rated value	6 V
Blocking voltage of the thyristor maximum	1 600 V
Service factor	1
Protection class IP	IP00; IP20 with additional terminal covers for vertical touching from the front
Reference code acc. to DIN EN 81346-2	Q
Product function	
• ramp-up (soft starting)	Yes
• ramp-down (soft stop)	Yes
• Soft Torque	Yes
• Adjustable current limitation	Yes
• pump ramp down	Yes
• Intrinsic device protection	Yes
• motor overload protection	Yes; Electronic motor overload protection
• Evaluation of thermistor motor protection	No
• Auto-reset	Yes
• Manual RESET	Yes

- remote reset
- communication function
- operating measured value display
- error logbook
- via software parameterizable
- via software configurable
- PROFINET energy
- voltage ramp
- torque control
- analog output

Yes; By turning off the control supply voltage

Yes

Yes; Only in conjunction with special accessories

Yes; Only in conjunction with special accessories

No

Yes

Yes; in connection with the PROFINET Standard communication module

Yes

No

Yes; 4 ... 20 mA (default) / 0 ... 10 V (parameterizable with High Feature HMI)

Power Electronics

Operating current	
• at 40 °C rated value	470 A
• at 50 °C rated value	416 A
• at 60 °C rated value	380 A
Operating voltage	
• rated value	200 ... 480 V
Relative negative tolerance of the operating voltage	-15 %
Relative positive tolerance of the operating voltage	10 %
Operating power for three-phase motors	
• at 230 V at 40 °C rated value	132 kW
• at 400 V at 40 °C rated value	250 kW
• at 500 V at 40 °C rated value	315 kW
Operating frequency 1 rated value	50 Hz
Operating frequency 2 rated value	60 Hz
Relative negative tolerance of the operating frequency	-10 %
Relative positive tolerance of the operating frequency	10 %
Adjustable motor current	
• at rotary encoding switch on switch position 1	200 A
• at rotary encoding switch on switch position 2	218 A
• at rotary encoding switch on switch position 3	236 A
• at rotary encoding switch on switch position 4	254 A
• at rotary encoding switch on switch position 5	272 A
• at rotary encoding switch on switch position 6	290 A
• at rotary encoding switch on switch position 7	308 A
• at rotary encoding switch on switch position 8	326 A
• at rotary encoding switch on switch position 9	344 A
• at rotary encoding switch on switch position 10	362 A
• at rotary encoding switch on switch position 11	380 A

<ul style="list-style-type: none"> • at rotary encoding switch on switch position 12 • at rotary encoding switch on switch position 13 • at rotary encoding switch on switch position 14 • at rotary encoding switch on switch position 15 • at rotary encoding switch on switch position 16 • minimum 	<p>398 A</p> <p>416 A</p> <p>434 A</p> <p>452 A</p> <p>470 A</p> <p>200 A</p>
Minimum load [%]	15 %; Relative to smallest settable le
Power loss [W] for rated value of the current at AC	
<ul style="list-style-type: none"> • at 40 °C to power-up • at 50 °C to power-up • at 60 °C to power-up 	<p>56 W</p> <p>44 W</p> <p>37 W</p>
Power loss [W] at AC at AC	
<ul style="list-style-type: none"> • at 40 °C during startup • at 50 °C during startup • at 60 °C during startup 	<p>5 344 W</p> <p>4 438 W</p> <p>3 876 W</p>
Type of the motor protection	Electronic, tripping in the event of thermal overload of the motor

Control circuit/ Control	
Type of voltage of the control supply voltage	AC
Control supply voltage at AC	
<ul style="list-style-type: none"> • at 50 Hz • at 60 Hz 	<p>110 ... 250 V</p> <p>110 ... 250 V</p>
Relative negative tolerance of the control supply voltage at AC at 50 Hz	-15 %
Relative positive tolerance of the control supply voltage at AC at 50 Hz	10 %
Relative negative tolerance of the control supply voltage at AC at 60 Hz	-15 %
Relative positive tolerance of the control supply voltage at AC at 60 Hz	10 %
Control supply voltage frequency	50 ... 60 Hz
Relative negative tolerance of the control supply voltage frequency	-10 %
Relative positive tolerance of the control supply voltage frequency	10 %
Control supply current in standby mode rated value	30 mA
Holding current in the by-pass mode operating rated value	105 mA
Starting current at close of by-pass contact maximum	2.2 A
Inrush current peak at connect of control supply voltage maximum	12.2 A
Duration of inrush current peak at connect of control supply voltage	2.2 ms
Design of the overvoltage protection	Varistor

Design of short-circuit protection for control circuit	4 A gG fuse (I _{cu} =1 kA), 6 A quick-acting fuse (I _{cu} =1 kA), C1 miniature circuit breaker (I _{cu} = 600 A), C6 miniature circuit breaker (I _{cu} = 300 A); Is not part of scope of supply
---	--

Inputs/ Outputs

Number of digital inputs	1
Number of inputs for thermistor connection	0
Number of digital outputs	3
• not parameterizable	2
Digital output version	2 normally-open contacts (NO) / 1 changeover contact (CO)
Number of analog outputs	1

Installation/ mounting/ dimensions

Mounting position	with vertical mounting surface +/-90° rotatable, with vertical mounting surface +/- 22.5° tiltable to the front and back
Mounting type	screw fixing
Height	230 mm
Width	160 mm
Depth	282 mm
Required spacing with side-by-side mounting	
• forwards	10 mm
• Backwards	0 mm
• upwards	100 mm
• downwards	75 mm
• at the side	5 mm
Installation altitude at height above sea level maximum	5 000 m; Derating as of 1000 m, see manual
Weight without packaging	7.3 kg

Connections/ Terminals

Type of electrical connection	
• for main current circuit	busbar connection
• for control circuit	spring-loaded terminals
Width of connection bar maximum	45 mm
Type of connectable conductor cross-sections	
• for main contacts for box terminal using the front clamping point solid	95 ... 300 mm ²
• for main contacts for box terminal using the front clamping point finely stranded with core end processing	70 ... 240 mm ²
• for main contacts for box terminal using the front clamping point finely stranded without core end processing	70 ... 240 mm ²
• for main contacts for box terminal using the front clamping point stranded	95 ... 300 mm ²

<ul style="list-style-type: none"> • at AWG conductors for main contacts for box terminal using the front clamping point • for main contacts for box terminal using the back clamping point solid • at AWG conductors for main contacts for box terminal using the back clamping point • for main contacts for box terminal using both clamping points solid • for main contacts for box terminal using both clamping points finely stranded with core end processing • for main contacts for box terminal using both clamping points finely stranded without core end processing • for main contacts for box terminal using both clamping points stranded • for main contacts for box terminal using the back clamping point finely stranded with core end processing • for main contacts for box terminal using the back clamping point finely stranded without core end processing • for main contacts for box terminal using the back clamping point stranded 	<p>3/0 ... 600 kcmil</p> <p>120 ... 240 mm²</p> <p>250 ... 500 kcmil</p> <p>min. 2x 70 mm², max. 2x 240 mm²</p> <p>min. 2x 50 mm², max. 2x 185 mm²</p> <p>min. 2x 50 mm², max. 2x 185 mm²</p> <p>min. 2x 70 mm², max. 2x 240 mm²</p> <p>120 ... 185 mm²</p> <p>120 ... 185 mm²</p> <p>120 ... 240 mm²</p>
<p>Type of connectable conductor cross-sections</p> <ul style="list-style-type: none"> • at AWG conductors for main current circuit solid • for DIN cable lug for main contacts stranded • for DIN cable lug for main contacts finely stranded 	<p>2/0 ... 500 kcmil</p> <p>50 ... 240 mm²</p> <p>70 ... 240 mm²</p>
<p>Type of connectable conductor cross-sections</p> <ul style="list-style-type: none"> • for control circuit solid • for control circuit finely stranded with core end processing • at AWG conductors for control circuit solid • at AWG conductors for control circuit finely stranded with core end processing 	<p>2x (0.25 ... 1.5 mm²)</p> <p>2x (0.25 ... 1.5 mm²)</p> <p>2x (24 ... 16)</p> <p>2x (24 ... 16)</p>
<p>Wire length</p> <ul style="list-style-type: none"> • between soft starter and motor maximum • at the digital inputs at AC maximum 	<p>800 m</p> <p>1 000 m</p>
<p>Tightening torque</p> <ul style="list-style-type: none"> • for main contacts with screw-type terminals • for auxiliary and control contacts with screw-type terminals 	<p>14 ... 24 N·m</p> <p>0.8 ... 1.2 N·m</p>
<p>Tightening torque [lbf·in]</p>	

- for main contacts with screw-type terminals
- for auxiliary and control contacts with screw-type terminals

124 ... 210 lbf-in

7 ... 10.3 lbf-in

Ambient conditions

Ambient temperature

- during operation

-25 ... +60 °C; Please observe derating at temperatures of 40 °C or above

- during storage and transport

-40 ... +80 °C

Environmental category

- during operation acc. to IEC 60721

3K6 (no ice formation, only occasional condensation), 3C3 (no salt mist), 3S2 (sand must not get into the devices), 3M6

- during storage acc. to IEC 60721

1K6 (only occasional condensation), 1C2 (no salt mist), 1S2 (sand must not get inside the devices), 1M4

- during transport acc. to IEC 60721

2K2, 2C1, 2S1, 2M2 (max. fall height 0.3 m)

EMC emitted interference

acc. to IEC 60947-4-2: Class A

Communication/ Protocol

Communication module is supported

- PROFINET standard
- EtherNet/IP
- Modbus RTU
- Modbus TCP
- PROFIBUS

Yes

Yes

Yes

Yes

Yes

UL/CSA ratings

Manufacturer's article number

• of the fuse

— usable for Standard Faults up to 575/600 V according to UL

Type: Class L, max. 1600 A; I_q = 30 kA

— usable for High Faults up to 575/600 V according to UL

Type: Class L, max. 1200 A; I_q = 100 kA

Operating power [hp] for three-phase motors

- at 200/208 V at 50 °C rated value
- at 220/230 V at 50 °C rated value
- at 460/480 V at 50 °C rated value
- at 575/600 V at 50 °C rated value

100 hp

125 hp

250 hp

300 hp

ATEX

Certificate of suitability

- ATEX
- IECEx

Yes

Yes

Hardware fault tolerance acc. to IEC 61508 relating to ATEX

0


PFDavg with low demand rate acc. to IEC 61508 relating to ATEX

0.09

PFHD with high demand rate acc. to EN 62061 relating to ATEX	0.000009 1/h
Safety Integrity Level (SIL) acc. to IEC 61508 relating to ATEX	SIL1
T1 value for proof test interval or service life acc. to IEC 61508 relating to ATEX	3 y

Certificates/ approvals

General Product Approval	For use in hazardous locations
 CCC  CSA  UL	 EAC  IECEX  ATEX

Declaration of Conformity	Test Certificates	other
 EG-Konf.	Miscellaneous Type Test Certificates/Test Report	Confirmation

Further information

Information- and Downloadcenter (Catalogs, Brochures,...)

<https://www.siemens.com/ic10>

Industry Mall (Online ordering system)

<https://mall.industry.siemens.com/mall/en/en/Catalog/product?mlfb=3RW5076-2AB14>

Cax online generator

<http://support.automation.siemens.com/WW/CAXorder/default.aspx?lang=en&mlfb=3RW5076-2AB14>

Service&Support (Manuals, Certificates, Characteristics, FAQs,...)

<https://support.industry.siemens.com/cs/ww/en/ps/3RW5076-2AB14>

Image database (product images, 2D dimension drawings, 3D models, device circuit diagrams, EPLAN macros, ...)

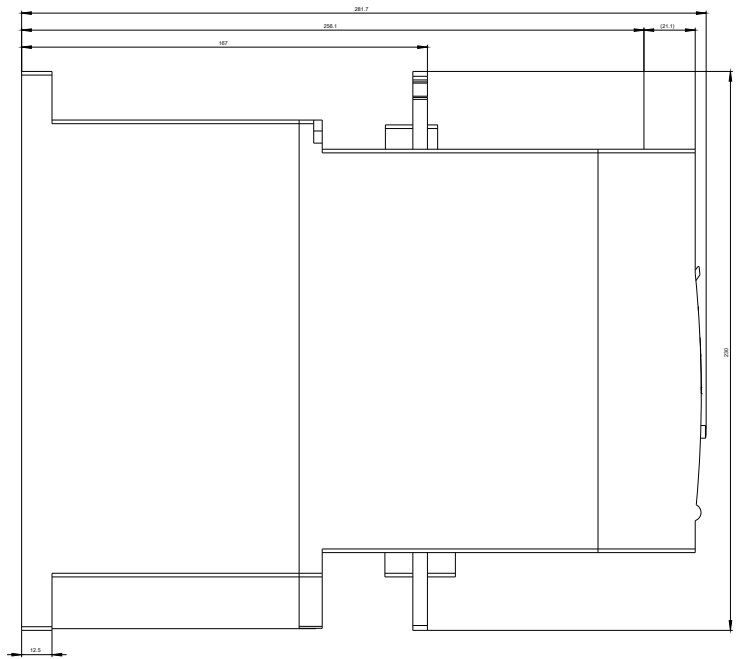
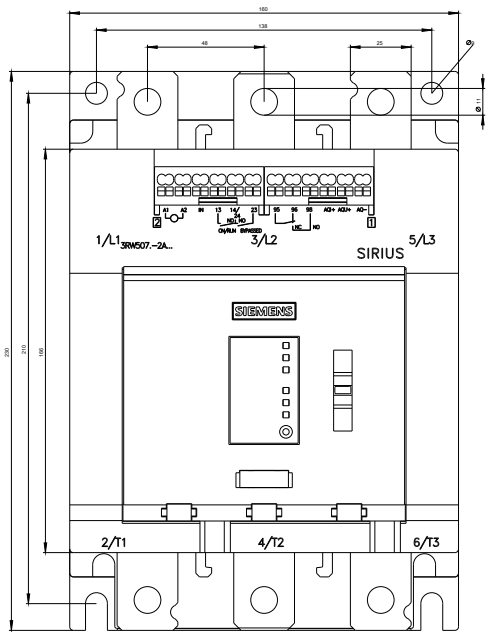
http://www.automation.siemens.com/bilddb/cax_de.aspx?mlfb=3RW5076-2AB14&lang=en

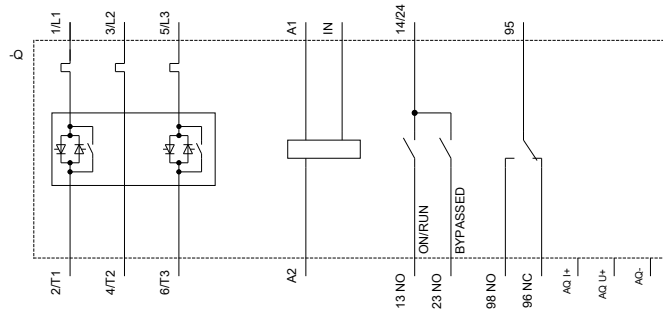
Characteristic: Tripping characteristics, I²t, Let-through current

<https://support.industry.siemens.com/cs/ww/en/ps/3RW5076-2AB14/char>

Characteristic: Installation altitude

<http://www.automation.siemens.com/bilddb/index.aspx?view=Search&mlfb=3RW5076-2AB14&objecttype=14&gridview=view1>





SIEMENS

3RW50.-.A._IEC.DXF

Format / Size: Hybrid quer

last modified:

02/11/2020