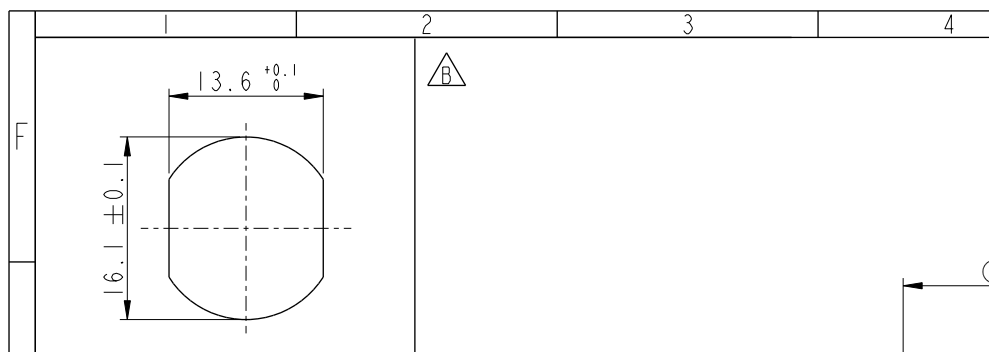
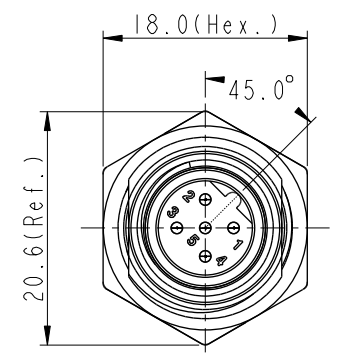
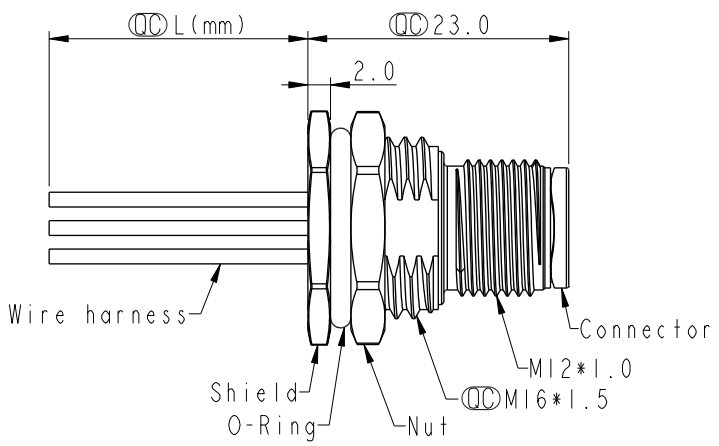
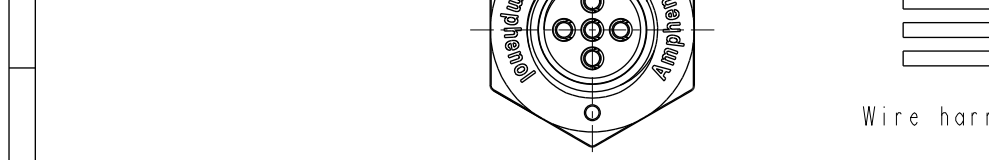


THIS DOCUMENT IS SUBJECT TO CHANGE WITHOUT NOTICE. IT IS CONFIDENTIAL AND A PROPERTY OF Amphenol LTW. DISCLOSURE TO THIRD PARTY HAS TO BE AUTHORIZED BY Amphenol LTW.

REV.	ECN NO.	DATE	SIGN	DESCRIPTION
D	C201473	2020/09/24	Vicky	△D X3
E	C210024	2021/01/12	Vicky	△E X2
F	C210593	2021/04/16	Ruru	△F X3

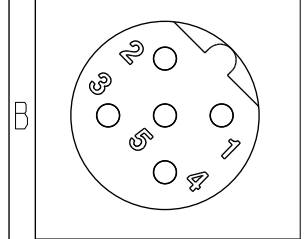


Recommended Panel Cut-Out



5	Gray	灰
4	Black	黑
3	Blue	藍
2	White	白
1	Brown	棕

Pin #	Wire
	Pin Out



Pin Assignments Front View

△C △D △E △F
M12B-XXPMMC-SF8CXX

XX: No. Of Pin

- 10: 100mm
- 15: 150mm
- 20: 200mm
- ∫
- 95: 950mm
- Cable Pitch Unit=50mm
- A0: 1000mm
- ∫
- A5: 1500mm
- Cable Pitch Unit=100mm
- Wire Length (L): 150~1500 mm

Note: △C △D △E △F

- * RoHS Compliant
- * Ⓞ Important dimension
- * Waterproof rate: IPX8, unmated 1m/24h
- * Connector
- Housing: Thermoplastic, Black
- Pin: Copper alloy, Gold plated
- * Shield: Metal
- * Nut: Metal
- * O-Ring: Rubber, Black
- * Wire harness: UL1061, 22AWG
- * For panel thickness max: 4.5mm
- * O-Ring and nut are assembled on connectors
- * Wire harness tolerance:
 - 100mm < L ≤ 300mm: ±15mm
 - 300mm < L ≤ 1000mm: ±20mm
 - 1000mm < L ≤ 1500mm: ±50mm

UNIT:mm		
TOLERANCE	.X ±0.25	
	.XX ±0.1	
	.XXX ±0.05	
ANGLES	±1°	

TITLE N SEN, M12 B, SCREW RECEPTACLE, M, M, FI/PANEL CRIMP △F			
SCALE 2:1	SIZE A4	SHEET 1 OF 1	
REV. F	WC-REV. A.5	Ⓞ: Inspection item	

Amphenol LTW
安費諾亮泰企業股份有限公司

ITEM NO	DWG NO	DRAWN BY	DATE
	△ M12B-XXPMMC-SF8CXX	Ruru	2019-09-19
CUSTOMER	APPROVED BY	CHECKED BY	DATE
ALTW	Max	Rita	2019-09-19
			2019-09-19