



# Midget<sup>PLUS</sup> Micro USB Car Charger

Dual charging while on the move!



The RS Midget<sup>PLUS</sup> Micro USB is a handy USB charger for the car, motorbike, truck, camper and boat. Thanks to the integrated Micro USB charging cable devices can be connected to the charger. An additional USB Port provides the opportunity to simultaneously charge a second USB device easily in the cigarette lighter socket (standard – 12V).



## Specifications

- USB charger for car, motorbike, truck, camper and boat
- Easy charging in the cigarette lighter socket
- Coiled cable with Micro USB Connector included
- 1 additional USB port
- Input: 10–16V DC
- Output voltage: 5V DC
- Output current: 2.1A (shared)

## Weight

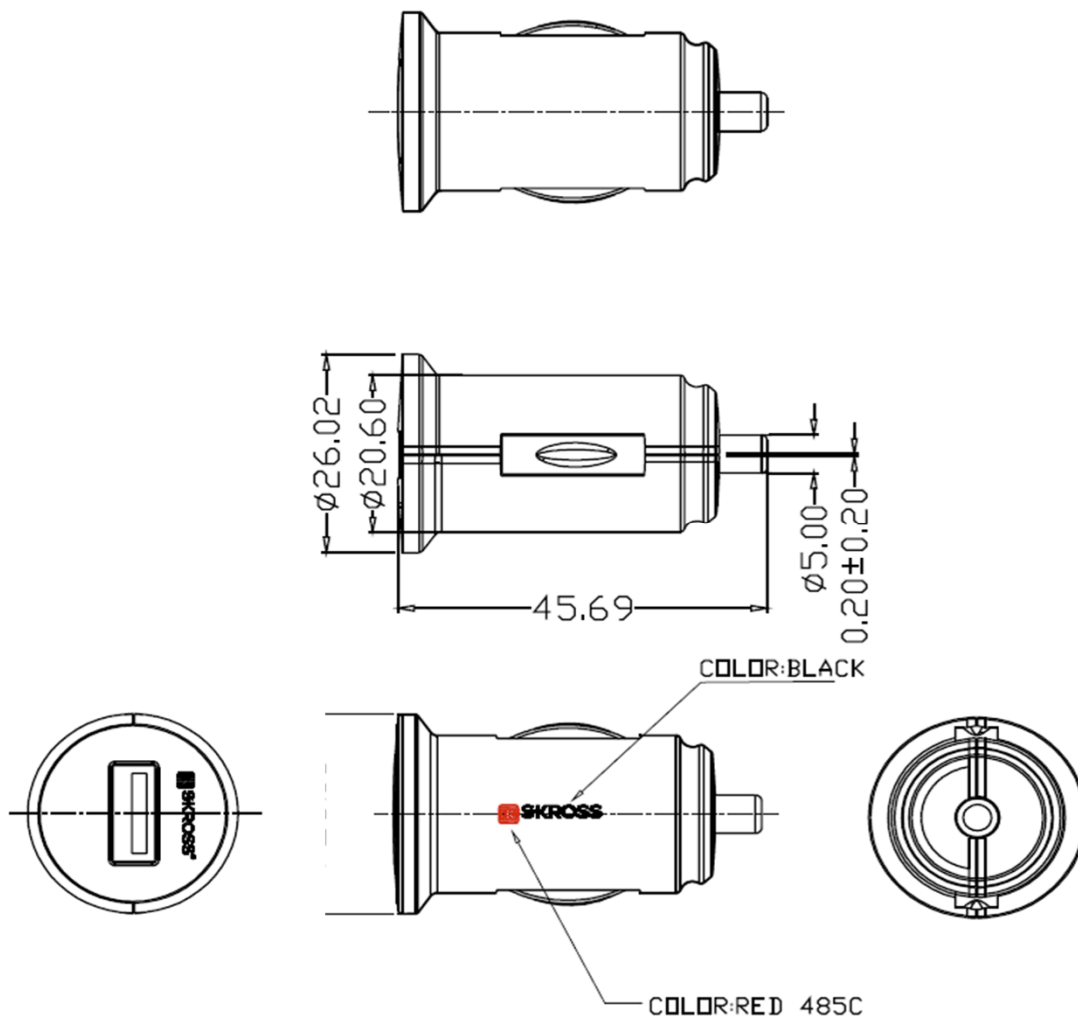
USB Charger incl. cable: 76 g  
Retail packaging: 25 g

## Dimensions

USB Charger: L 30 mm W 30 mm H 54.5 mm  
Cable length (coiled cable): 600mm – 1219 mm  
Retail packaging: L 225 mm W 100 mm H 35 mm

Standard colour: white





Dimension		Tolerance					
		A	B	C	✓	D	
linear	$\leq 3$	$\pm 0.05$	$\pm 0.10$	$\pm 0.20$		$\pm 0.50$	
	$> 3-6$	$\pm 0.05$	$\pm 0.10$	$\pm 0.30$		$\pm 0.50$	
	$> 6-30$	$\pm 0.10$	$\pm 0.20$	$\pm 0.50$		$\pm 1.0$	
	$> 30-120$	$\pm 0.15$	$\pm 0.30$	$\pm 0.80$		$\pm 1.5$	
	$> 120-400$	$\pm 0.20$	$\pm 0.50$	$\pm 1.2$		$\pm 2.5$	
radlur/ chamer	$\leq 3$	$\pm 0.20$	$\pm 0.20$	$\pm 0.40$		$\pm 0.40$	
	$> 3-6$	$\pm 0.5$	$\pm 0.5$	$\pm 1.0$		$\pm 1.0$	
	$> 6-30$	$\pm 1.0$	$\pm 1.0$	$\pm 2.0$		$\pm 2.0$	
Angle (the shorter edge)	$\leq 10$	$\pm 1^\circ$	$\pm 1^\circ$	$\pm 1^\circ 30'$		$\pm 3^\circ$	
	$> 10-50$	$\pm 30'$	$\pm 30'$	$\pm 1^\circ$		$\pm 2^\circ$	
	$> 50-120$	$\pm 20'$	$\pm 20'$	$\pm 30'$		$\pm 1^\circ$	

General tolerance unless otherwise noted, please refer to 3D for unshow dimensions