

Current transformer - PACT MCR-V2-3015- 60- 80- 5A-1



2277831

<https://www.phoenixcontact.com/gb/products/2277831>

Please be informed that the data shown in this PDF document is generated from our Online Catalog. Please find the complete data in the user documentation. Our General Terms of Use for Downloads are valid.



Window-type current transformer, 80 A AC primary current; 5 A AC secondary current; accuracy class 1; 1.25 VA rated power

Current transformer - PACT MCR-V2-3015- 60- 80- 5A-1



2277831

<https://www.phoenixcontact.com/gb/products/2277831>

Commercial Data

Item number	2277831
Packing unit	1 pc
Minimum order quantity	1 pc
Sales Key	CK4A11
Product Key	CK4A11
Catalog Page	Page 212 (C-5-2019)
GTIN	4046356502191
Weight per Piece (including packing)	306.8 g
Weight per Piece (excluding packing)	200 g
Customs tariff number	85043129
Country of origin	DE

Current transformer - PACT MCR-V2-3015- 60- 80- 5A-1

2277831

<https://www.phoenixcontact.com/gb/products/2277831>

Technical Data

Product properties

Product type	Current transformer
--------------	---------------------

Electrical properties

Rated insulation voltage	1 kV (Phase/neutral conductor)
--------------------------	--------------------------------

General

Can be calibrated	no
Converter type	Plug-on converters

Input data

Current transformers

Rated power	1.25 VA
Thermal rated short-time current	$I_{th} = 60 * I_n$
Thermal rated continuous current	$I_d = 1.2 * I_n$
Rated surge current	$I_{dyn} = 2.5 * I_{th}$
Primary rated current I_{pn}	0 A AC ... 80 A AC
Primary rated current range	1 A AC ... 4000 A AC (depends on type)
Can be calibrated	no
Converter type	Plug-on converters

Output data

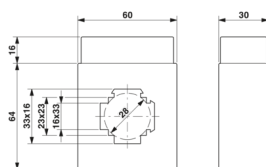
Signal

Designation	Current output
Secondary rated current I_{sn}	5 A AC
Surge current limitation factor	FS 5
Accuracy class	1

Connection data

Connection method	Screw connection
Conductor cross section flexible	2x 2.5 mm ² ... 4 mm ² (Secondary terminals)

Dimensions

Dimensional drawing	
Width	30 mm
Height	80 mm
Depth	60 mm

Current transformer - PACT MCR-V2-3015- 60- 80- 5A-1



2277831

<https://www.phoenixcontact.com/gb/products/2277831>

Primary round conductor (diameter)	28 mm
------------------------------------	-------

Alternative assembly

Width	60 mm
Height	80 mm
Depth	30 mm

Material specifications

Housing material	PA 6.6
------------------	--------

Environmental and real-life conditions

Ambient conditions

Ambient temperature (operation)	-25 °C ... 40 °C
Ambient temperature (storage/transport)	-25 °C ... 40 °C
Altitude	≤ 1000 m
Permissible humidity (operation)	Use only indoors, non-condensing

Approval data

UL, USA / Canada

Identification	XODW8.E323953
----------------	---------------

Standards and regulations

Standards/regulations	EN 61869
-----------------------	----------

Mounting

Mounting type	DIN rail mounting
---------------	-------------------

Current transformer - PACT MCR-V2-3015- 60- 80- 5A-1

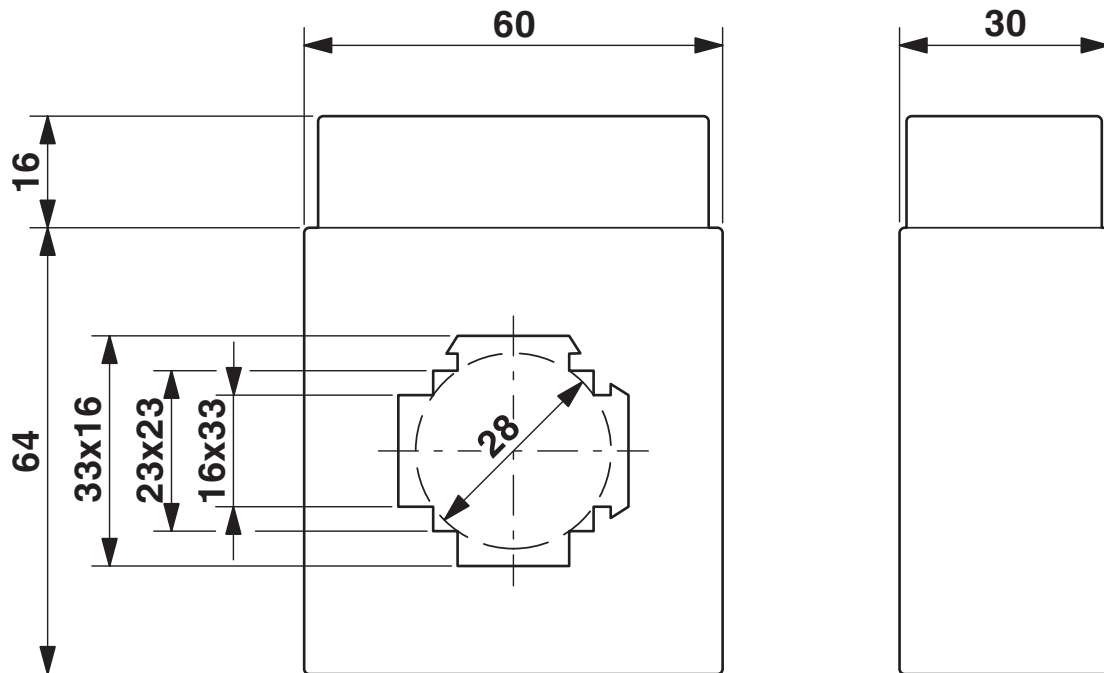


2277831

<https://www.phoenixcontact.com/gb/products/2277831>

Drawings

Dimensional drawing



Current transformer - PACT MCR-V2-3015- 60- 80- 5A-1



2277831

<https://www.phoenixcontact.com/gb/products/2277831>

Approvals



EAC

Approval ID: RU*DE*08.B.01187/19



EAC

Approval ID: RU*DE*08.B.01187/19

Current transformer - PACT MCR-V2-3015- 60- 80- 5A-1



2277831

<https://www.phoenixcontact.com/gb/products/2277831>

Classifications

ECLASS

ECLASS-9.0	27210902
ECLASS-10.0.1	27210902
ECLASS-11.0	27210902

ETIM

ETIM 8.0	EC002048
----------	----------

UNSPSC

UNSPSC 21.0	39121000
-------------	----------

Current transformer - PACT MCR-V2-3015- 60- 80- 5A-1



2277831

<https://www.phoenixcontact.com/gb/products/2277831>

Environmental Product Compliance

China RoHS	Environmentally Friendly Use Period = 50 years For information on hazardous substances, refer to the manufacturer's declaration available under "Downloads"
------------	--

Current transformer - PACT MCR-V2-3015- 60- 80- 5A-1



2277831

<https://www.phoenixcontact.com/gb/products/2277831>

Accessories

Mounting material

Mounting material - PACT-FAST-MNT-W16-L65 - 2276641

<https://www.phoenixcontact.com/gb/products/2276641>



The transformer quick-action mechanism enables the lightning-fast mounting of PACT current transformers on the power rail. The installation can be completed easily by hand without the use of tools. Fixing pins: 65 mm, holding latches: 16 mm

Mounting material

Mounting material - PACT-FAST-MNT-W16-L40 - 2276638

<https://www.phoenixcontact.com/gb/products/2276638>



The transformer quick-action mechanism enables the lightning-fast mounting of PACT current transformers on the power rail. The installation can be completed easily by hand without the use of tools. Fixing pins: 40 mm, holding latches: 16 mm

Phoenix Contact 2022 © - all rights reserved

<https://www.phoenixcontact.com>

PHOENIX CONTACT Ltd

Halesfield 13, Telford

Shropshire, TF7 4PG

01952 681700

info@phoenixcontact.co.uk