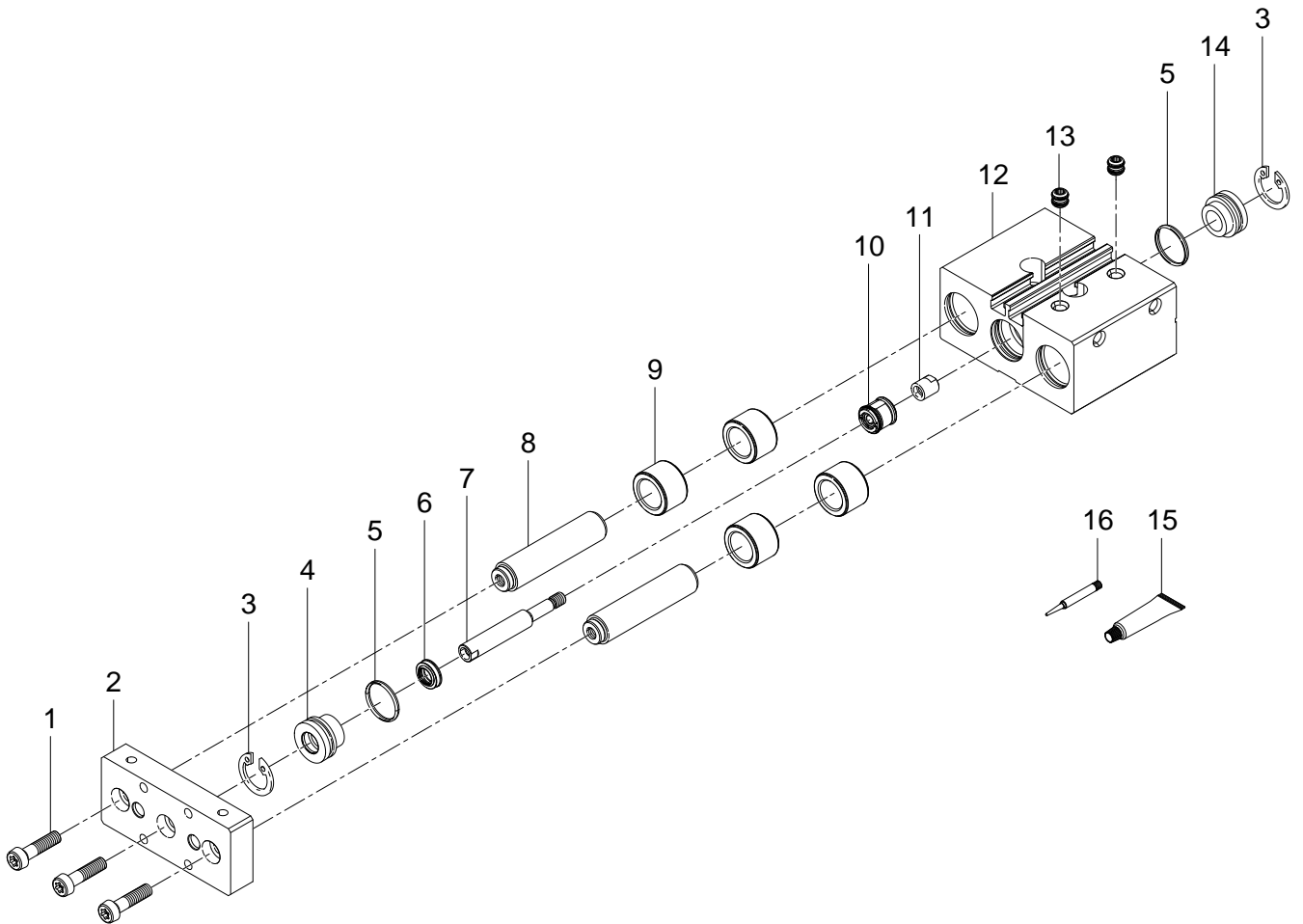


170826 DFM-12-25-P-A-GF Guided drive - Series from 07-2017



170826 DFM-12-25-P-A-GF Guided drive - Series from 07-2017

Pos.	Part no.	Type	Note	Qty.	Unit
A	8047213	DFM-12-PA :FR 02-2015 Set of wearing parts	Spare parts: 3, 5, 6, 10, 15, 16 ▶ Replacing the wearing parts	1	PC
1		ISO 14580-M4X16-8.8 Socket head screw	Not available Tightening torque 2.2 Nm / 1.6 lbf ft	3	PC
2		DFM-12 End plate	Not available	1	PC
3		DIN 472-14X1 Retaining ring	Not available separately, see position A	2	PC
4		DFM-12 Bearing cap	Not available Grease using during assembly. See position 15	1	PC
5		B-12X1-N-NBR75 O-ring ISO3601	Not available separately, see position A Grease using during assembly. See position 15	1	PC
6		WIFC1-6X9X2,8-TPE-U Wiper seal	Not available separately, see position A Grease using during assembly. See position 15	1	PC
7		IRA-06-S0042,3-B Piston rod	Not available	1	PC
8		DFM-12-25-GF Guide rod	Not available	2	PC
9		SINT-B50 10,01X15X10 Cylinder bearing	Not available	4	PC
10		BA-K10D-012-A Complete piston	Not available separately, see position A Grease using during assembly. See position 15	1	PC
11	709439	DSNU-12 Nut	Tightening torque 1 Nm / 0.7 lbf ft Use locking compound. See position 16	1	PC
12		DFM-12-25 Housing	Not available Grease using during assembly. See position 15	1	PC
13	369947	M5X5 Plug screw module		2	PC
14		DFM-12 End cap	Not available	1	PC
15	684474	LUB-KC1 SILIKONFREI 20ML Lubricating grease		1	PC
16	8181256	CYBERBOND TM44 TB1ML Adhesive bonding agent		1	PC