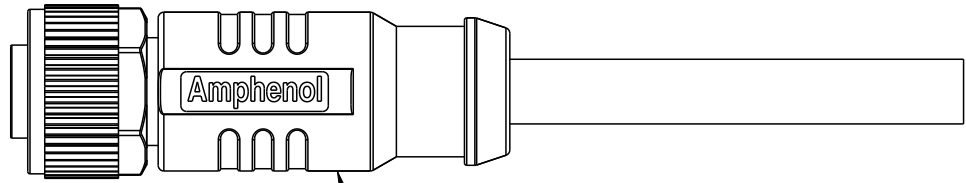
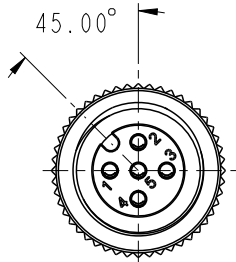
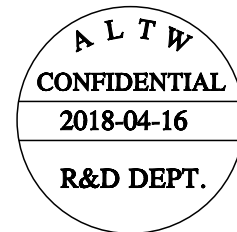
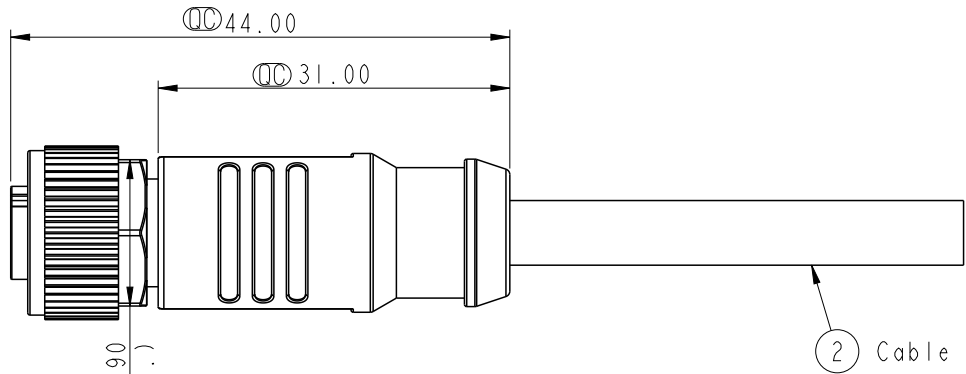


REV.	ECN NO.	DATE	SIGN	DESCRIPTION
A		2018/04/16	Brady	New Initial



- Notes:
- * ④ Important Dimension.
 - * Waterproof Rate: IP68(Under water 1M for 24Hrs).
 - * Connector: Nylon+GF, Black.
 - * Female Pin: Copper Alloy, Gold Plated.
 - * Screw Nut: Zinc Alloy, Nickel Plated.
 - * Outer Mold: PP, Black.
 - * Cable: UL2517, Shield, PVC Jacket,UV resistant. Black.
UL20549,Shield, PU Jacket, Black.
 - * Rated Voltage: 3 & 4Pin 250V dc. or ac.
5Pin 60V dc. or ac.
6~12Pin 30V dc. or ac.
 - * Rated Current: 3~5Pin 4A
6~8Pin 2A
10~12Pin 1.5A
 - * Operating Temperature: -25~85°C

UNIT:mm	
TOLERANCE	±0.5mm

TITLE M12 Shielded A Code Cable Female Conn.		
SCALE 3:2	SIZE A4	SHEET 1 OF 3
REV. A	WC-REV. A.3	④: Inspection item

Amphenol LTW
安費諾亮泰企業股份有限公司

ITEM NO	DRAWN BY Brady	DATE 2018/04/16
DWG NO MSAS-XXBFFM-SL8XXX	CHECKED BY Neo	DATE 2018/04/16
CUSTOMER ALTW	APPROVED BY Max	DATE 2018/04/16

THIS DOCUMENT IS SUBJECT TO CHANGE WITHOUT NOTICE. IT IS CONFIDENTIAL AND A PROPERTY OF Amphenol LTW. DISCLOSURE TO THIRD PARTY HAS TO BE AUTHORIZED BY Amphenol LTW.

THIS DOCUMENT IS SUBJECT TO CHANGE WITHOUT NOTICE. IT IS CONFIDENTIAL AND A PROPERTY OF Amphenol LTW. DISCLOSURE TO THIRD PARTY HAS TO BE AUTHORIZED BY Amphenol LTW.

1 2 3 4 5 6 7 8

12P	PU	6.4	26	MSAS-12BFFM-SL8EXX
8P		5.8	24	MSAS-08BFFM-SL8EXX
5P		5.7	22	MSAS-05BFFM-SL8EXX
12P	PVC	6.4	26	MSAS-12BFFM-SL8DXX
8P		5.8	24	MSAS-08BFFM-SL8DXX
5P		5.7	22	MSAS-05BFFM-SL8DXX
Contacts	Cable Jacket	Cable OD	AWG	Item No.



M SAS - XX B F F M - S L 8 X XX

12A: A-Code Shielded

05: 5Pin
08: 8Pin
12: 12Pin

B: Cable Without S/R (線端無網尾)

M: Female Connector (母座)

M: Female Pin (母Pin)

XX: 01~99Meters
01: 01Meter
02: 02Meters
:
99: 99Meters

D: PVC UL2517 Cable, Black (PVC黑色外被線材)
E: PU UL20549 Cable, Black (PU黑色外被線材)

8: IP68 (防水等級68)

L: Straight (180° 線端)

S: Screw (螺紋式)

M: Molding Type (射出成型)

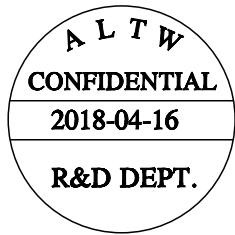
UNIT: mm TOLERANCE ±0.5mm

TITLE M12 Shielded A Code Cable Female Conn.			
SCALE 3:2	SIZE A4	SHEET 2 OF 3	
REV. A	WC-REV. A.3	QC: Inspection item	

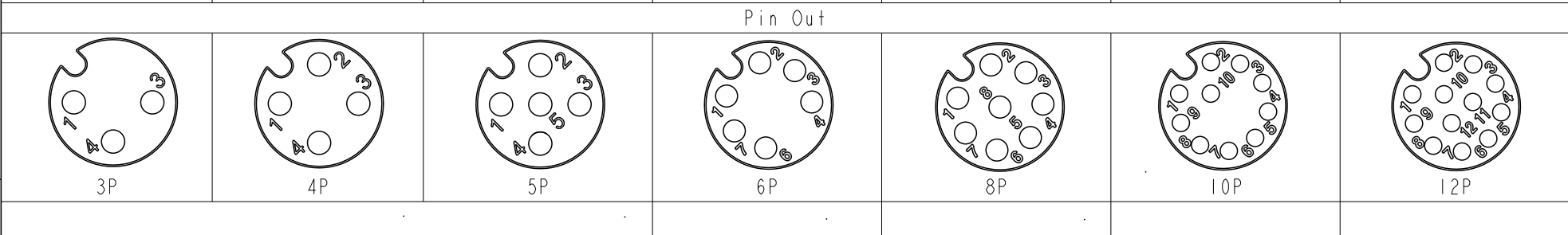
Amphenol LTW
安費諾亮泰企業股份有限公司

ITEM NO	DRAWN BY Brady	DATE 2018/04/16
DWG NO MSAS-XXBFFM-SL8XXX	CHECKED BY Neo	DATE 2018/04/16
CUSTOMER ALTW	APPROVED BY Max	DATE 2018/04/16

1 2 3 4 5 6 7 8 W10814-03-2001A1



5	--		5	--		5	Gray	灰	8	--		8	Red	紅	12	--		12	Red/Blue	紅/藍
4	Black	黑	4	Black	黑	4	Black	黑	7	Blue	藍	7	Blue	藍	11	--		11	Gray/Pink	灰/粉
3	Blue	藍	3	Blue	藍	3	Blue	藍	6	Pink	粉	6	Pink	粉	10	Violet	紫	10	Violet	紫
2	--		2	White	白	2	White	白	5	--		5	Gray	灰	9	Black	黑	9	Black	黑
1	Brown	棕	1	Brown	棕	1	Brown	棕	4	Yellow	黃	4	Yellow	黃	8	Red	紅	8	Red	紅
									3	Green	綠	3	Green	綠	7	Blue	藍	7	Blue	藍
									2	Brown	棕	2	Brown	棕	6	Pink	粉	6	Pink	粉
									1	White	白	1	White	白	5	Gray	灰	5	Gray	灰
															4	Yellow	黃	4	Yellow	黃
															3	Green	綠	3	Green	綠
															2	Brown	棕	2	Brown	棕
															1	White	白	1	White	白



UNIT:mm TOLERANCE ±0.5mm		TITLE M12 Shielded A Code Cable Female Conn.		<h1 style="text-align: center;">Amphenol LTW</h1> <h2 style="text-align: center;">安費諾亮泰企業股份有限公司</h2>		ITEM NO MSAS-XXBFFM-SL8XXX	DRAWN BY Brady	DATE 2018/04/16
		SCALE 3:2	SIZE A4			SHEET 3 OF 3	CHECKED BY Neo	DATE 2018/04/16
		REV. A	WC-REV. A.2	(CC): Inspection item	CUSTOMER ALTW	APPROVED BY Max	DATE 2018/04/16	