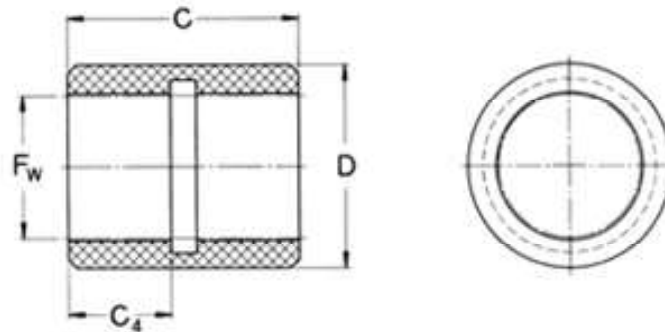


Scheda tecnica prodotto

LPBR 30

Manicotto a strisciamento



C [mm]:	50
C4 [mm]:	20
D = Da [mm]:	40.27
Fw [mm]:	30
Cdyn 0,1:	4800
Cdyn 4 [N]:	120

Data: 27/05/2020

The contents of this report are the copyright of the publisher and may not be reproduced (even extracts) unless permission is granted. Every care has been taken to ensure the accuracy of the information contained in this report but no liability can be accepted for any loss or damage whether direct, indirect or consequential arising out of the use of the information contained herein.

Scheda tecnica prodotto

LPBR 30

Manicotto a strisciamento

CO:	17000
Massa [kg]:	0.033

Data: 27/05/2020

The contents of this report are the copyright of the publisher and may not be reproduced (even extracts) unless permission is granted. Every care has been taken to ensure the accuracy of the information contained in this report but no liability can be accepted for any loss or damage whether direct, indirect or consequential arising out of the use of the information contained herein.