

Stacked Coin Type

Series: **RG**

■ Features

- Endurance: 85 °C 2000 h
- Can be discharged mA current
- RoHS directive compliant

■ Recommended Applications

- Backup of data/RTC of base station, electronic meter, and industrial equipment
- For assist of rapid load change

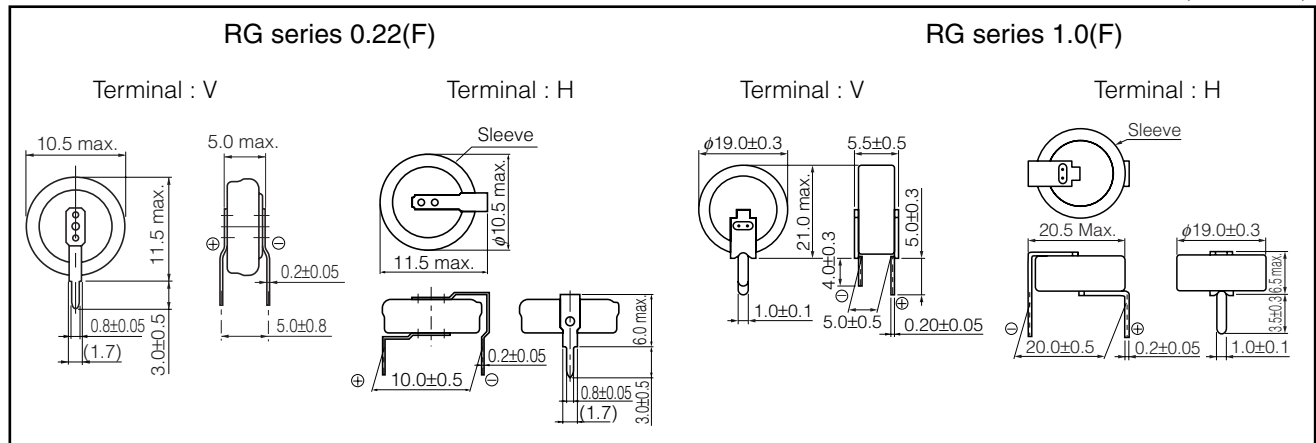


■ Specifications

Category temp. range		-25 °C to +85 °C	
Maximum operating voltage		3.6 V DC	
Nominal capacitance		0.22 F	1.0 F
Capacitance tolerance		-20 % to +80%	
Characteristics at Low Temperature		Capacitance change	±30 % of initial measured value at +20 °C (at -25 °C)
		Internal resistance	≤5 times of initial measured value at +20 °C (at -25 °C)
After 2000 hours application of maximum operating voltage at +85 °C			
Endurance	Capacitance change	±30 % of initial measured value at 20 °C	±30 % of initial measured value at 20 °C
	Internal resistance	100 Ω or less	40 Ω or less
After 2000 hours storage at +85 °C without load (voltage)			
Shelf life	Capacitance change	Capacitance change shall meet the specified limits for Endurance	
	Internal resistance	Internal resistance shall meet the specified limits for Endurance	

■ Dimensions in mm(not to scale)

(Unit : mm)



■ Standard Products

Maximum operating voltage (V DC)	Capacitance (F)	Internal resistance (Initial specified value) (Ω) at 1 kHz	Recommended discharge current (mA)	Parts number	Mass (g)	Min. packaging Q'ty (pcs)
3.6	0.22	≤50	1 or less	EECRG0V224()	1.0	200
	1.0	≤20	20 or less	EECRG0V105()	4.1	100

Do not use reflow soldering (IR, Atmospheric heating methods, etc.) Please refer to the page of "Application Guidelines".

(): Please use V or H to indicate terminal type.

The recommended discharge current is a reference value. Please design your equipment (circuit) in consideration of IR drop.

Design and specifications are each subject to change without notice. Ask factory for the current technical specifications before purchase and/or use. Should a safety concern arise regarding this product, please be sure to contact us immediately.