



## Product Compliance

[For compliance documentation, visit the product page on TE.com>](#)

EU RoHS Directive 2011/65/EU	Compliant
EU ELV Directive 2000/53/EC	Compliant
China RoHS 2 Directive MIIT Order No 32, 2016	有害物质含量符合标准要求 No Restricted Substance(s) Above Threshold
EU REACH Regulation (EC) No. 1907/2006	Current ECHA Candidate List: JUNE 2025 (250) Candidate List Declared Against: JUNE 2022 (224) Does not contain REACH SVHC
Halogen Content	Not Yet Reviewed for halogen content
Solder Process Capability	Not reviewed for solder process capability

### Product Compliance Disclaimer

This information is provided based on reasonable inquiry of our suppliers and represents our current actual knowledge based on the information they provided. This information is subject to change. The part numbers that TE has identified as EU RoHS compliant have a maximum concentration of 0.1% by weight in homogenous materials for lead, hexavalent chromium, mercury, PBB, PBDE, DBP, BBP, DEHP, DIBP, and 0.01% for cadmium, or qualify for an exemption to these limits as defined in the Annexes of Directive 2011/65/EU (RoHS2). Finished electrical and electronic equipment products will be CE marked as required by Directive 2011/65/EU. Components may not be CE marked. Additionally, the part numbers that TE has identified as EU ELV compliant have a maximum concentration of 0.1% by weight in homogenous materials for lead, hexavalent chromium, and mercury, and 0.01% for cadmium, or qualify for an exemption to these limits as defined in the Annexes of Directive 2000/53/EC (ELV). Regarding the REACH Regulation, the information TE provides on SVHC in articles for this part number is based on the latest European Chemicals Agency (ECHA) 'Guidance on requirements for substances in articles' posted at this URL: <https://echa.europa.eu/guidance-documents/guidance-on-reach>

## Also in the Series | DEUTSCH 38999 Series III



Circular Connector Backshells & Clamps(7)



Connector Backshells(7)



Standard Circular Connectors(117)

## Customers Also Bought



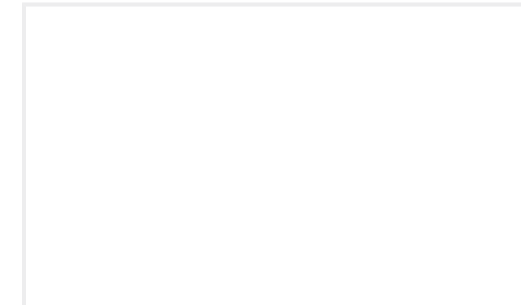
TE Part #931901-000  
2021D0309-0



TE Part #HDP26-18-14SN  
PLG, 14P, BLK, N, 16, S



TE Part #DT04-08PA-P026  
REC, 8P, GRY, BUSBAR 2X4, NICKEL, A



TE Part #ACT00AB-E-EL00N  
S RELIEF STR



TE Part #ZPF000000000121739  
182-0862-22



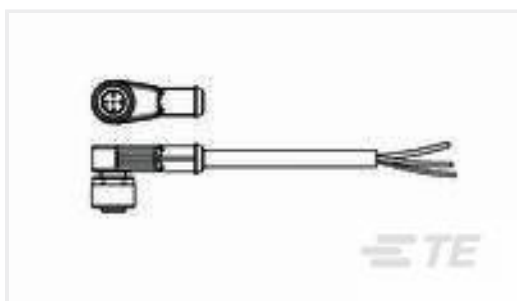
TE Part #1027-014-0800  
CLIP, STEEL, ZINC, 8.2MM HOLE, ST,  
DT8PIN



TE Part #1-968853-1  
AMP MCP 2.8, CONTACT



TE Part #2273003-1  
M8 x 1.0 straight socket Pigtail



TE Part #2273104-1  
M12 x 1.0 angled socket pigt SH 2 LED  
A



TE Part #828904-2  
SINGLE WIRE SEAL FOR J.P.T.CON

## Documents

### Datasheets & Catalog Pages

#### MATERIAL AND FINISH DETAILS

English