

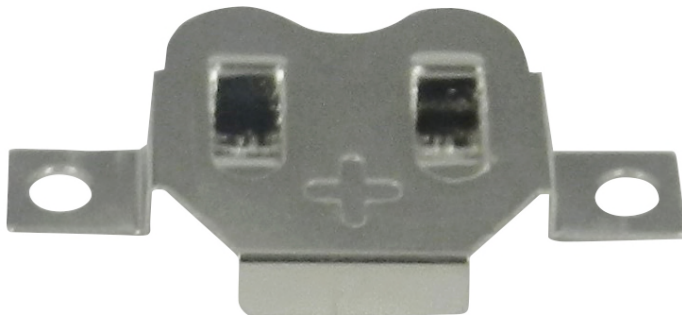


ENGLISH

Datasheet

RS Article:1854666

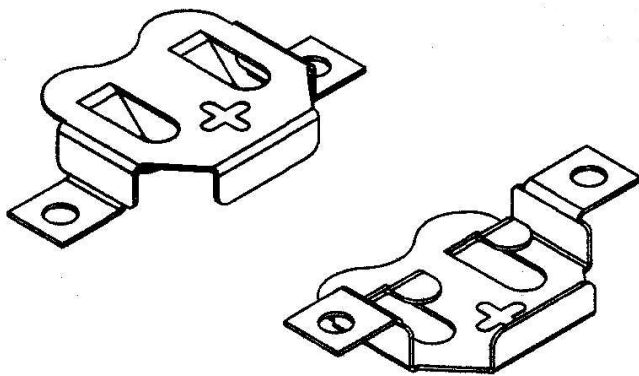
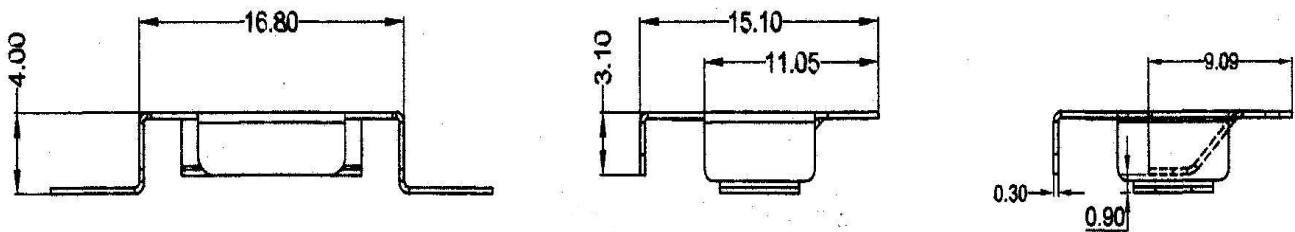
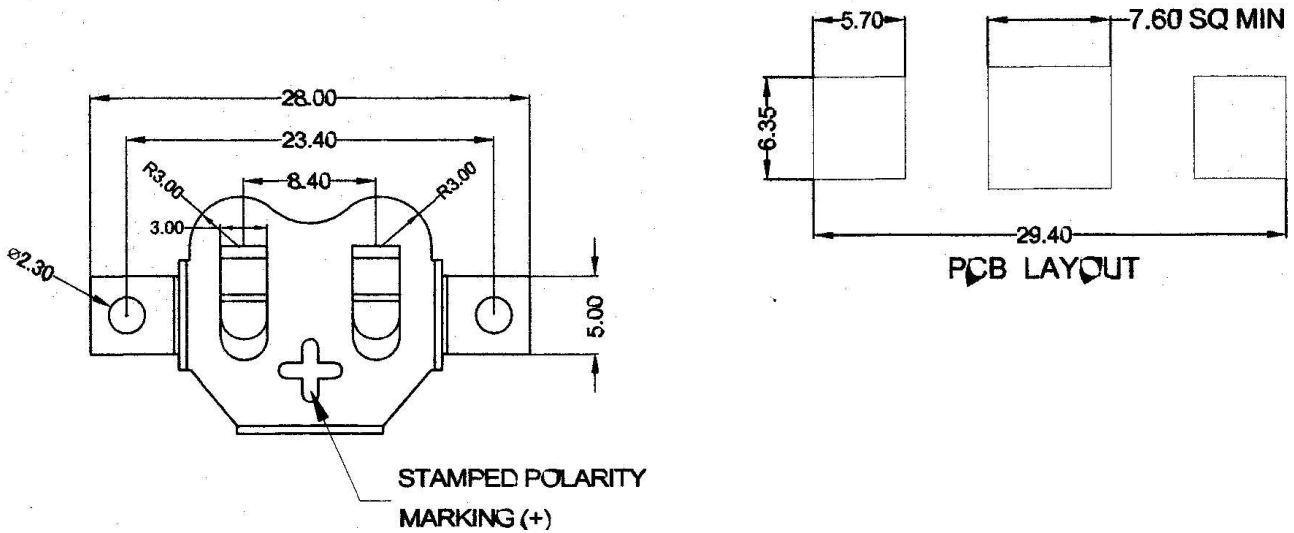
RS Pro Battery Holder



1. Preface:

The purpose of this product specification is to Dimension and drawing

Metal Coin Cell Holder CR1602



SPECIFICATION

- (1) ITEM NO: 1854666
- (2) MATERIAL: 0.30MM PHOSPHOR BRONZE
NICKEL PLATED
- (3) USE MINIMUM BEND RADII
- (4) RoHS COMPLIANT

Measure: mm