



SERIES 1930 - DOUBLE-POLE ROCKER SWITCHES IP 65

TO 20 (4) A 250 V AC



PRODUCT FEATURES

- Illuminated and non-illuminated variants with various switching functions
- IP 65 with integrated gasket for high dust and water protection
- Inrush current (capacitive) up to 120 A
- Approval for 400 V
- 100 million times proven switching principle
- Modern rocker design
- High, flexible variety

ON REQUEST

- Other switching functions (e.g. Changeover switch)
- Other terminal types
- Other colors
- Other printing variants
- Other lamp variants
- Cable assembly

Mechanical life endurance	5E4
Operating force	3 - 8 N
Inrush current (capacitive)	120 A 100 A (basic type 1939) 50 A (basic type 1934)
Contact resistance (new condition)	< 100 mOhm (1 A 12 V DC)
Insulation resistance (new condition)	> 100 MOhm (500 V DC)
Proof tracking	250 PTI
Protection type	IP 40 (terminal side), IP 65 (actuating side)
Ambient temperature	terminal side -30 °C ... +105 °C actuating side -30 °C ... +55 °C
Flammability	UL 94 V-2 UL 94 V-0 (housing and socket only)
Glow wire test temperature	850 °C
Material actuator housing terminals	PC / TPU (bellows) PA silver plated
Plug force of the terminals	≤ 80 N
Approval marks	
Suitable for appliances of protection class II	



SERIES 1930 - DOUBLE-POLE ROCKER SWITCHES IP 65

TO 20 (4) A 250 V AC

<p>double-pole</p>		ON / OFF switch (DPST)														
Lighting voltage (V)		1935.3135	1935.3137	1935.3112	1935.3113	1935.3114	1935.3118	1935.3119	1935.3129	1935.3134	1935.3128	1935.3131	1935.3138	1932.1113	1932.3112	1932.3113
Actuator color / printing																
Housing color		Black														
20 (4) A 250 V AC 1E4		<input type="radio"/>	<input type="radio"/>	<input type="radio"/>	<input type="radio"/>	<input type="radio"/>	<input type="radio"/>	<input type="radio"/>	<input type="radio"/>	<input type="radio"/>	<input type="radio"/>	<input type="radio"/>	<input type="radio"/>	<input type="radio"/>	<input type="radio"/>	<input type="radio"/>
12 (4) A 250 V AC 1E4																
10 (8) A 400 V AC 5E4		<input type="radio"/>	<input type="radio"/>													
10 (8) A 250 V AC 5E4		<input type="radio"/>	<input type="radio"/>	<input type="radio"/>	<input type="radio"/>	<input type="radio"/>	<input type="radio"/>	<input type="radio"/>	<input type="radio"/>	<input type="radio"/>	<input type="radio"/>	<input type="radio"/>		<input type="radio"/>	<input type="radio"/>	<input type="radio"/>
10 A 12 V DC													<input type="radio"/>			
6 (4) A 250 V AC 5E4																
16 A 250 V AC 1 HP		<input type="radio"/>	<input type="radio"/>	<input type="radio"/>	<input type="radio"/>	<input type="radio"/>	<input type="radio"/>	<input type="radio"/>	<input type="radio"/>	<input type="radio"/>	<input type="radio"/>	<input type="radio"/>		<input type="radio"/>	<input type="radio"/>	<input type="radio"/>
16 A 125 V AC 3/4 HP		<input type="radio"/>	<input type="radio"/>	<input type="radio"/>	<input type="radio"/>	<input type="radio"/>	<input type="radio"/>	<input type="radio"/>	<input type="radio"/>	<input type="radio"/>	<input type="radio"/>	<input type="radio"/>		<input type="radio"/>	<input type="radio"/>	<input type="radio"/>
16 A 125 V AC 1/3 HP												<input type="radio"/>				
14 A 250 V AC 3/4 HP																
14 A 250 V AC 1/2 HP																
14 A 125 V AC 1/3 HP																
14 A 125 V AC 1/4 HP																
12 A 250 V AC 1 HP																
12 A 125 V AC 1/2 HP																
Terminal type																
Terminal description		6.3	6.3	6.3	6.3	6.3	6.3	6.3	6.3	6.3	6.3	6.3	6.3	4.8	6.3	6.3
Contact distance (mm)		Ag ≥ 3	Ag ≥ 3	Ag ≥ 3	Ag ≥ 3	Ag ≥ 3	Ag ≥ 3	Ag ≥ 3	Ag ≥ 3	Ag ≥ 3	Ag ≥ 3	Ag ≥ 3	Ag ≥ 3	Ag ≥ 3	Ag ≥ 3	Ag ≥ 3
Contact material		Ag	Ag	Ag	Ag	Ag	Ag	Ag	Ag	Ag	Ag	Ag	Ag	Ag	Ag	Ag
EN 60335 cap. 30 conform "G"																
Miscellaneous								bellows anthracite								
Stock version				<input checked="" type="radio"/>	<input checked="" type="radio"/>	<input checked="" type="radio"/>	<input checked="" type="radio"/>								<input checked="" type="radio"/>	

ROCKER SWITCHES
 PUSHBUTTON SWITCHES
 TOGGLE SWITCHES
 SLIDE SWITCHES
 ROTARY SWITCHES
 FOOT SWITCHES
 TACT AND KEY SWITCHES
 SMP-ACTION SWITCHES
 MICRO-SIGNAL SWITCHES
 SENSORS
 ECO
 PUSH N' DRIVE



SERIES 1930 - DOUBLE-POLE ROCKER SWITCHES IP 65

TO 20 (4) A 250 V AC

double-pole		ON / OFF switch (DPST)								Normally closed contact (DPNC)		Normally open contact (DPNO)		
		1932.3114	1932.3116	1932.3118	1932.3130	1932.3131	1932.3132	1932.3136	1932.3137	1932.3412	1932.3312	1932.3314	1935.3218	1932.3413
Lighting voltage (V)													250	
Actuator color / printing														
Housing color														
20 (4) A 250 V AC 1E4		○	○	○	○	○	○	○	○	○				
12 (4) A 250 V AC 1E4														
10 (8) A 400 V AC 5E4														
10 (8) A 250 V AC 5E4		○	○	○	○	○	○	○	○	○				
10 A 12 V DC														
6 (4) A 250 V AC 5E4														
16 A 250 V AC 1 HP		○	○	○	○	○	○	○	○	○				
16 A 125 V AC 3/4 HP		○	○	○	○	○	○	○	○	○				
16 A 125 V AC 1/3 HP					○									
14 A 250 V AC 3/4 HP														
14 A 250 V AC 1/2 HP														
14 A 125 V AC 1/3 HP														
14 A 125 V AC 1/4 HP														
12 A 250 V AC 1 HP														
12 A 125 V AC 1/2 HP														
Terminal type														
Terminal description		6.3	6.3	6.3	6.3	6.3	6.3	6.3	6.3	6.3	6.3	6.3	6.3	6.3
Contact distance (mm)		Ag ≥ 3	Ag ≥ 3	Ag ≥ 3	Ag ≥ 3	Ag ≥ 3	Ag ≥ 3	Ag ≥ 3	Ag ≥ 3	Ag ≥ 3	Ag ≥ 3	Ag ≥ 3	Ag ≥ 3	Ag ≥ 3
Contact material		Ag	Ag	Ag	Ag	Ag	Ag	Ag	Ag	Ag	Ag	Ag	Ag	Ag
EN 60335 cap. 30 conform "G"					○	○	○			○				
Miscellaneous						bellows white		bellows red		single-pole occupied				
Stock version														○

ROCKERSWITCHES

PUSHBUTTON SWITCHES

TOGGLE SWITCHES

SLIDE SWITCHES

ROTARY SWITCHES

FOOT SWITCHES

TACT AND KEY SWITCHES

SNAP-ACTION SWITCHES

MIKRO-SIGNALSCHALTER

SENSORS

ECO

PUSH'N'DRIVE



SERIES 1930 - DOUBLE-POLE ROCKER SWITCHES IP 65

TO 20 (4) A 250 V AC

		Changeover switch (DPDT)			Changeover switch with OFF position in the center (DPDT - Center OFF)						
		1934.3112	1934.3114	1934.2114	1939.3119	1939.3125	1939.3312	1939.3314	1939.3318	1939.0454	
Lighting voltage (V)											
Actuator color / printing											
Housing color											
20 (4) A 250 V AC 1E4											
12 (4) A 250 V AC 1E4					<input type="checkbox"/>	<input type="checkbox"/>	<input type="checkbox"/>	<input type="checkbox"/>	<input type="checkbox"/>		
10 (8) A 400 V AC 5E4											
10 (8) A 250 V AC 5E4		<input type="checkbox"/>	<input type="checkbox"/>								
10 A 12 V DC											
6 (4) A 250 V AC 5E4				<input type="checkbox"/>							
16 A 250 V AC 1 HP											
16 A 125 V AC 3/4 HP											
16 A 125 V AC 1/3 HP											
14 A 250 V AC 3/4 HP					<input type="checkbox"/>	<input type="checkbox"/>					
14 A 250 V AC 1/2 HP							<input type="checkbox"/>	<input type="checkbox"/>	<input type="checkbox"/>		
14 A 125 V AC 1/3 HP					<input type="checkbox"/>	<input type="checkbox"/>					
14 A 125 V AC 1/4 HP							<input type="checkbox"/>	<input type="checkbox"/>	<input type="checkbox"/>		
12 A 250 V AC 1 HP		<input type="checkbox"/>	<input type="checkbox"/>	<input type="checkbox"/>							
12 A 125 V AC 1/2 HP		<input type="checkbox"/>	<input type="checkbox"/>	<input type="checkbox"/>							
Terminal type											
Terminal description		6.3	6.3		6.3	6.3	6.3	6.3	6.3		
Contact distance (mm)		Ag ≥ 3	Ag ≥ 3	Ag ≥ 3	Ag ≥ 3	Ag ≥ 3	Ag < 3	Ag < 3	Ag < 3	Au < 3	
Contact material		Ag	Ag	Ag	Ag	Ag	Ag	Ag	Ag	Au	
EN 60335 cap. 30 conform "G"											
Miscellaneous							momentary function both sides	momentary function both sides	momentary function both sides	single-pole occupied momentary function both sides	
Stock version		<input type="checkbox"/>			<input type="checkbox"/>		<input type="checkbox"/>	<input type="checkbox"/>			

ROCKER SWITCHES
 PUSHBUTTON SWITCHES
 TOGGLE SWITCHES
 SLIDE SWITCHES
 ROTARY SWITCHES
 FOOT SWITCHES
 TACT AND KEY SWITCHES
 SMP-ACTION SWITCHES
 MICRO-SIGNAL SWITCHES
 SENSORS
 ECO
 PUSH N' DRIVE

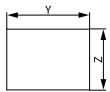


SERIES 1930 - DOUBLE-POLE ROCKER SWITCHES IP 65

TO 20 (4) A 250 V AC

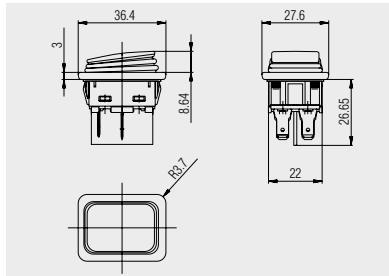


Basic types 1932, 1934, 1935 and 1939 double-pole

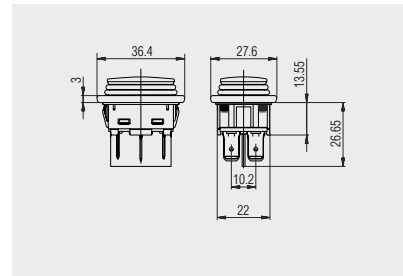


X = Wall thickness

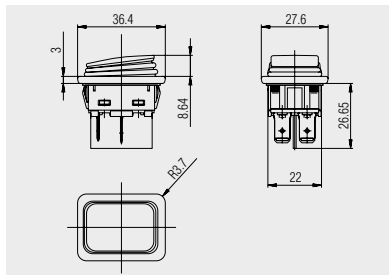
x	y	z
0.75 ... 1.25	30 ^{-0.1}	22 ^{+0.2}
1.25 ... 3	30.2 ^{-0.1}	22 ^{+0.2}



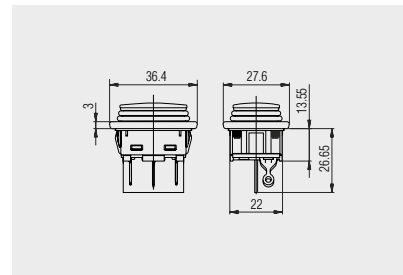
Quick-connect terminal 4.8 x 0.8 basic type 1932



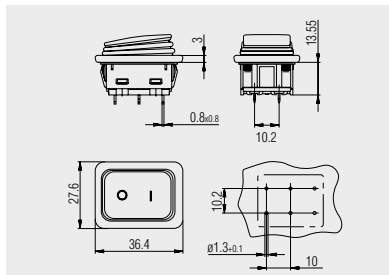
Quick-connect terminal 6.3 x 0.8 basic type 1939



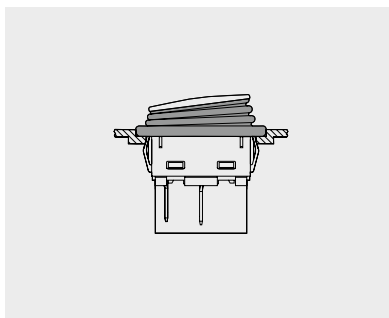
Quick-connect terminal 6.3 x 0.8 basic types 1932, 1934 and 1935



Solder terminal basic type 1939



PCB terminal basic type 1934



Sunken installation recommended for IP 65

A correct assembly and examination on tightness according to IP 65 in the equipment must be ensured by the customer.



Block connector 217.954.011

Block connector for cable connection for the double-pole versions of the rocker switch series 1830 und 1930.

Used with the standard timer plug AMP 0-927 936-1

THIS DRAWING IS THE EXCLUSIVE PROPERTY OF MARQUARDT GMBH. WITHOUT THEIR CONSENT IT MAY NOT BE REPRODUCED OR GIVEN TO THIRD PARTIES.

CONFIDENTIAL

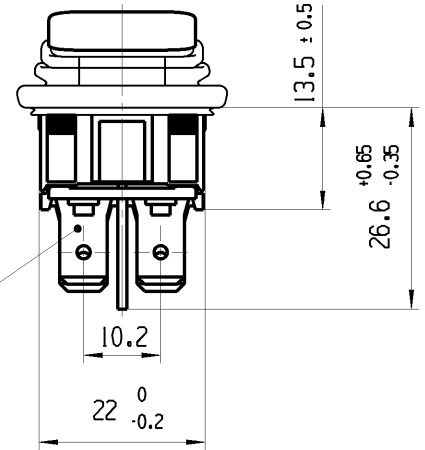
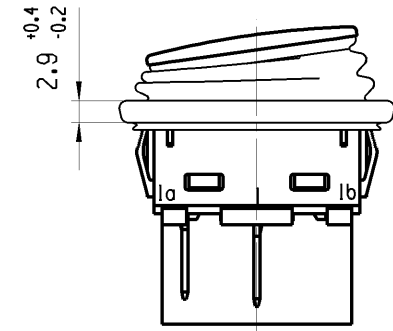
VERTRAULICH

Alle Rechte bei Marquardt GmbH, auch fuer den Fall von Schutzrechtsmeldungen. Jede Verfuugungsbefugnis, wie Kopier- und Weitergaberecht, bei uns.

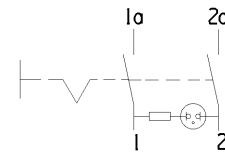
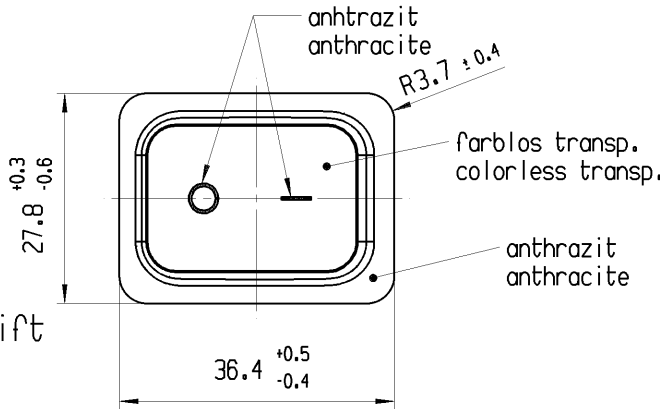
1	2	3	4
Empfohlener Ausschnitt fuer Rastbefestigung (Grat gegenueber Bestueckungsseite recommended cut-out for snap-in fixing (ledge opposite to snap-in direction))	Wanddicke wall thickness	Ausschnittlaenge length of cut-out	Ausschnittbreite width of cut-out
	0.75 bis / to 1.25 1.25 bis / to 3	30 ^{-0,1} 30.2 ^{-0,1}	22 ^{+0,2} 22 ^{+0,2}

Die in unseren Unterlagen angegebene IP Schutzklasse bezieht sich auf die Betaetigungsseite des Schalters, wenn dieser in das Kundengerat eingebaut ist. Die Abdichtung zwischen Schalter und Kundengerat kann ueber die umlaufende Dichtlippe der Betaetigungskappe erfolgen. Die Montage in das Kundengerat und die Pruefung auf Dichtheit an dieser Stelle erfolgen kundenseitig. Schalter mit beschaedigten Betaetigungskappen muessen sofort ausgetauscht werden.

The IP-protection class mentioned in our documents refers to the actuating side of the switch when mounted into the customer appliance. The sealing between switch and customer appliance is realizable through the surrounding sealing lip of the actuating cap. The mounting into the customer appliance and the testing of the tightness have to be effected by the customer. Switches with damaged actuating caps have to be replaced immediately.



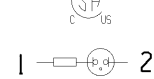
Flachstecker/plug-in
DIN 46244-A6.3x0.8



Aufschrift
Marking

193..
10(18)/250 ~ 5E4
20(4)/250 ~ T105/55
5/120A 250V ~

05
16A 125-250V AC
3/4 HP 125V AC
1 HP 250V AC
R18B



Ausschalter 2-polig
Glimmlampe mit Rv fuer 230V ~
Fuer Gerate der Klasse II geeignet

DPST
neon lamp with Rv for 230V AC
suitable for appliances of class II

Herstellort/-jahr/-woche nach DIN EN 60062
code of manufacture:place/year/week acc. to DIN EN 60062

fuer Form und Lage FOR SHAPE AND LOC.	☉ =	Allgemeintoleranzen UNTOLERANCED DIMENSIONS				Pause COPY	Blatt SHEET 01	TYP K	Zeichn./DRAWING NO. 19353119	Index f
	fuer Winkel FOR ANGLE ± 2	PROJEKTION	Abmasse und Nennmassbereiche Angaben in mm	Laenge LENGTH	Radien RADII					
		☉	0-6 ± 0.15 ± 0.2	>6-15 ± 0.2 ± 0.3	>15-30 ± 0.25 ± 0.5			GERAETESCHALTER		
		☉	ALL DIMENSIONS ARE IN MILLIMETRES	>30-70 ± 0.4	>70-120 ± 0.6 ± 10%			appliance switch		
		☉	>120-200 ± 1			CAD: NX v4.0				
c	36495	17.06.03	HHE			gez./DRAWN BY 02.07.08 HHE		Ersatz fuer/REPLACEMENT OF Zg.gl.Nr.v.20.03.2001		
b	34101	10.06.02	r	60808	21.10.08	gepr./CHECKED BY				
a	33488	13.03.02	GRH	e	59035					
	31087	20.03.01	GRH	d	39865					
Ausg. ISSUE	Aenderung REVISION	gez. DRAWN BY	Ausg. ISSUE	Aenderung REVISION	gez. DRAWN BY			MARQUARDT		