

Pilbara SP



INDEX

[Leaflet](#)

[Catalogue Information](#)

[Technical Drawings](#)

WEB LINKS

[Pilbara SP Information Page](#)

[Ask a question / Send us an enquiry](#)

[Information about B&R](#)

[Local Sales Team Phone Numbers](#)

Features

- Protection rating – IP66
- Approvals
CE marked
Lloyds
- 30° sloping roof to prevent build up of water and solids
- Fully enclosed 3-point locking system on most sizes (excluding SP040425)
- LockSock® protective lock cover (IP55)
- Lift off pintle hinges
- Full welded construction



OVERVIEW

The Pilbara SP is a heavy-duty enclosure, developed and tested for the harsh Australian environment. After consultation with on-site electrical engineers, contractors and designers the Pilbara range has been designed in sizes suitable for the most common mining, mineral processing and infrastructure projects.

APPLICATION

Typical applications include mining, mineral processing and other infrastructure projects. It is typically used in local control stations, mini control consoles or motor isolation control stations.

MATERIALS

- Body – Zinc coated steel or 316 stainless steel
- Body thickness – Zinc 2mm / Stainless steel 1.5mm
- Gasket – FIP polyurethane
- Surface finish – X-15 orange or N4

INCLUSIONS

- Steel mounting pan powdercoated white (2mm thick with return)
- Padlockable swing handle 3-point locking with cover (excluding SP040425)
- LockSock®
- Gland plate
- Mounting flanges
- 3-point locking with cover (excluding SP040425)
- 7mm square turnbuckle lock (NI020/PS)
- Earth strap kit



Pilbara SP

SELECTION GUIDE

Zinc Coated (2mm)	Stainless steel (1.5mm)	Stainless steel with powdercoat (1.5mm)	Dimensions (mm)			Usable Depth**		Total height***		Mounting Pan (mm)		Weight (kg)	
			Height	Width	Depth*	Height	Width	Height	Width	Zinc Coated Steel	Stainless Steel		
SP070522	SP070522/S	SP070522/SRO	700	500	220	190	950	630	430	29.0	21.7		
SP100822	SP100822/S	SP100822/SRO	1000	800	220	190	1250	930	730	57.9	39.8		
SP040425	SP040425/S	SP040425/SRO	400	400	250	220	680	330	330	16.3	13.7		
SP070535	SP070535/S	SP070535/SRO	700	500	350	320	1040	630	430	38.0	28.5		
SP100840	SP100840/S	SP100840/SRO	1000	800	400	370	1367	930	730	75.1	56.3		

* Includes overhang

** Mounting pan to inside of door

*** Includes from bottom of enclosure to top of mounting flange

ACCESSORIES

Product	Description	Catalogue No.
Escutcheon – hinged	400x400mm	SPHE0404
	700x500 mm	SPHE0705
	1000x800 mm	SPHE1008
Hinge – stainless steel	Pintle	SP/H/S
	6mm thick	SPGB32/6
Gland plate – brass	6mm thick	SPGB43/6
	6mm thick	SPGB41/6
	6mm thick	SPGB71/6
	6mm thick	SPGB72/6
	6mm thick	SPGA32/6
Gland plate – aluminium	6mm thick	SPGA41/6
	6mm thick	SPGA43/6
	6mm thick	SPGA71/6
	6mm thick	SPGA72/6

National Sales

P 1300 Enclosures (1300 362 567)

F 1300 796 599

E sales@brenclosures.com.au

brenclosures.com.au

Queensland P +61 7 3714 1111

Nth Queensland P +61 7 4727 1900

New South Wales P +61 2 9915 9555

Newcastle P +61 2 4961 4433

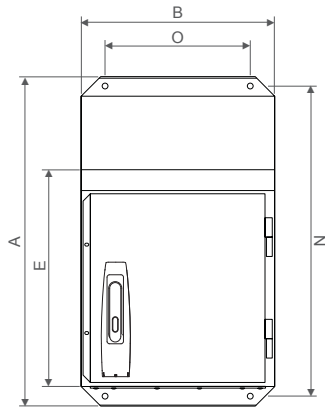
Victoria P +61 3 9552 0552

South Australia P +61 8 8417 6222

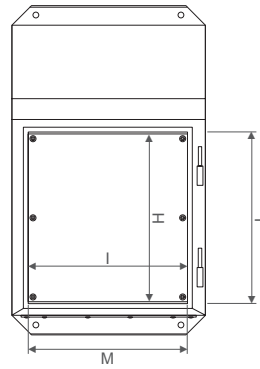
Western Australia P +61 8 6310 4777



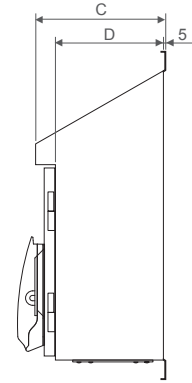
Technical Drawings



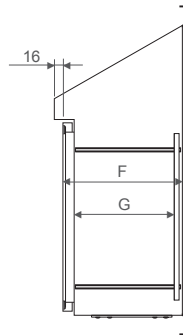
Front View



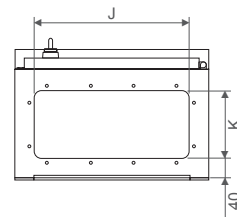
Front View With Internals



Side View



Side View With Internals



Bottom View

Dimensions (mm)

	Zinc Coated Steel	316 Stainless Steel	Stainless Steel X-15-Orange	External				Internal			Mounting Pan		Cable Entry		Opening size		Fixing Centres	
				A	B	C	D	E	F	G	H	I	J	K	L	M	N	O
SP070522	SP070522/S	SP070522/SRO	952	500	221	175	700	150	108	630	430	440	120	640	420	912	400	
SP100822	SP100822/S	SP100822/SRO	1252	800	221	175	1000	150	108	930	730	740	120	940	720	1212	600	
SP040425	SP040425/S	SP040425/SRO	681	400	270	224	400	245	203	330	330	320	140	340	320	641	300	
SP070535	SP070535/S	SP070535/SRO	1040	500	370	324	700	345	303	630	430	420	240	640	420	999	400	
SP100840	SP100840/S	SP100840/SRO	1367	800	420	374	1000	405	353	930	730	640	210	940	720	1327	600	