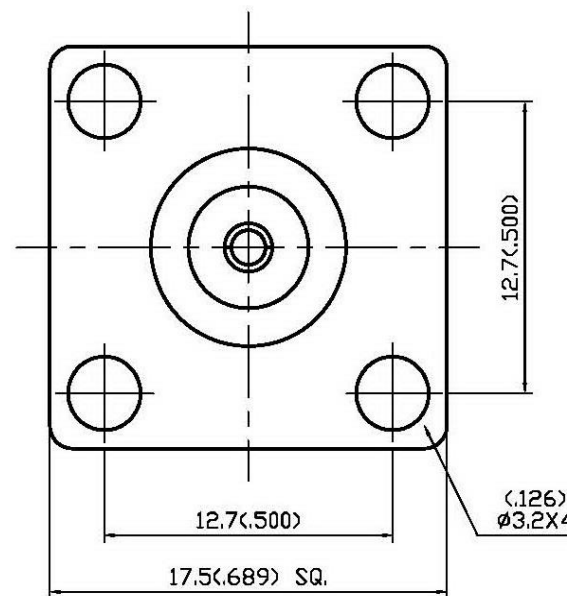
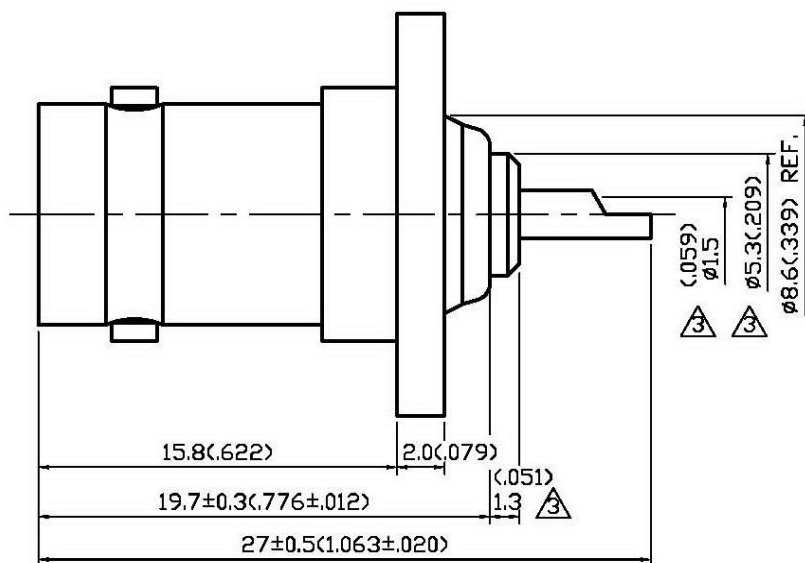


| NO | DESCRIPTION | DATE |
|----|--|-----------|
| ① | BACKGROUND FORMAT UPDATED | 02.26.04 |
| ② | BACKGROUND FORMAT UPDATED | 08.31.10' |
| ③ | ADD 1.3; Ø1.5; Ø5.3 WORKING VOLTAGE —— VOLTAGE RATING DEL PROOF VOLTAGE | 12.31.14' |



1.0 ELECTRICAL

- 1.1 FREQUENCY RANGE: DC-1 GHz
- 1.2 NOMINAL IMPEDANCE: 75 OHMS
- 1.3 VOLTAGE RATING: 500 VOLTS MAX. ③

2.0 MATERIALS

- 2.1 BODIES: BRASS PER JIS-C3604
- 2.2 CENTER CONTACT: BRASS PER JIS-C3604
- 2.3 INSULATION: TEFLON PER ASTM D1457 AND ASTM D1710
- 2.4 SQUARE FLANGE: BRASS PER JIS-C2680

3.0 FINISHES AND OTHERS

- 3.1 SEE BELOW TABLE FOR DETAILS.

4.0 ENVIRONMENTAL

- 4.1 OPERATING TEMPERATURE RANGE: -65° C TO +165° C

| NO | DESCRIPTION | MATERIAL | Q'TY | FINISH |
|----|----------------|----------|------|-------------------|
| 5 | SQUARE FLANGE | BRASS | 1 | NICKEL 100μ" MIN. |
| 4 | INSULATION | TEFLON | 1 | NONE |
| 3 | CENTER CONTACT | BRASS | 1 | GOLD |
| 2 | INSULATION | TEFLON | 1 | NONE |
| 1 | BODY | BRASS | 1 | NICKEL 100μ" MIN. |



APPROVED

by _____ DATE: _____

| DESCRIPTION | | BNC STRAIGHT SQUARE FLANGE JACK RECEPTACLE | | | | | | |
|-------------|----------|--|----|-------------|---------|---------|-------|-----------|
| 製圖 | DRAWN | TOLERANCE | 品名 | 13-22 T.G.N | DATE | 版次 | REV. | |
| | Yoko | | | | | | | .X ±0.2 |
| 檢圖 | CHECK | .XX ±0.1 | 單位 | UNIT | DWG.NO. | 13-0367 | SCALE | |
| | Arc | | | | | | | mm(in) |
| 認定 | APPROVAL | .XXX ±0.05 | 比例 | SCALE | | | | |
| | Angela | | | | | | | ANGLE ±5° |