

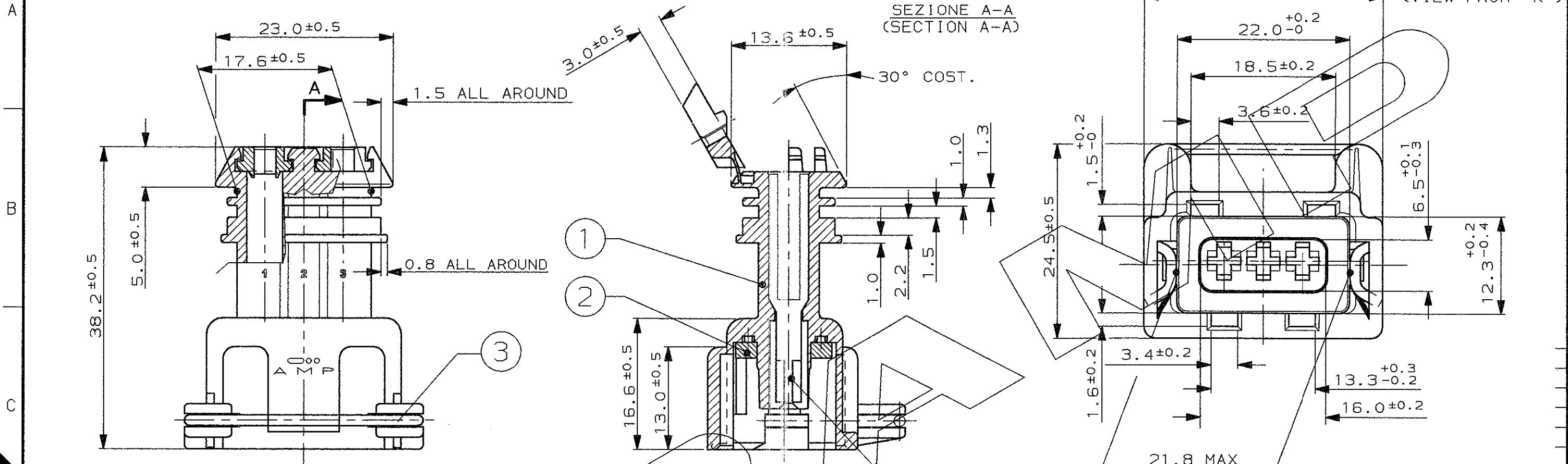
CONNETTORE TIPO A (CON MOLLA DI RITEGNO ESTERNA)
CONNECTOR TYPE A (WITH EXTERNAL SPRING)

SCALA NON IMPEGNATIVA
(DO NOT SCALE)
DIMENSIONI IN mm
(DIMENSIONS IN mm)

METRIC

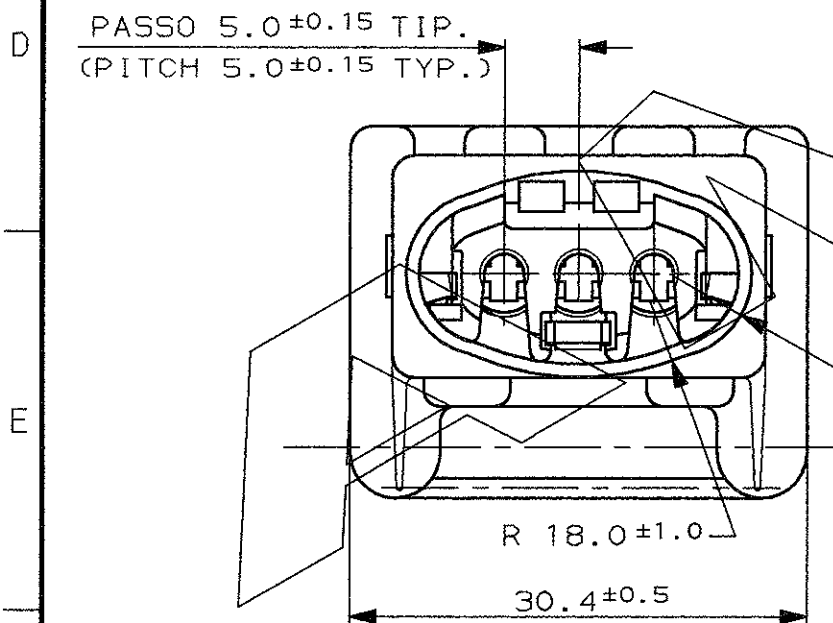
PROIEZIONE EUROPEA
(EUROPEAN PROJECTION)

VISTA DA -K-
(VIEW FROM -K-)



TIP. CAVITA' PER TERMINALI AMP JPT P/N 929939-...
OPPURE 929937-... E RELATIVI GOMMINI
AMP P/N 828904-1, 828905-1, 282536-1.
TAPPO CAVITA' P/N 828906-2

(TYP. CAV. FOR JPT CONT. P/N 929939-... A/O 929937-... AND REL.
SINGLE WIRE SEAL P/N 828904-1, 828905-1, 282536-1
CAVITY PLUG P/N 828906-2)



ASSE CONNETTORE
(CONNECTOR CENTER LINE)

ASSE CAVITA'
(CAVITY CENTER LINE)

3	//////	ACCIAIO INOX (STAINLESS STEEL)	MOLLA (SPRING)
2	NATURALE (NATURAL)	GOMMA (RUBBER)	GUARNIZIONE (RUBBER GASKET)
1	//////	PA 6.6 C.VETRO (PA 6.6 G.F.)	BLOCCHETTO (HOUSING)
N° (ITEM)	FINITURA / COLORE (FINISH / COLOUR)	MATERIALE (MATERIAL)	DESCRIZIONE (DESCRIPTION)

NERO (BLACK)	282545-1	F
COLORE COLOR	NUMERO PART. N°	ASSY REV.
M	REVISED	M.P. ET00-0385-99 2-4 01
L	REVISED	A.F. ET00-0221-96 27-5 96
A	IN PRODUCTION	R.M. ET00-0011-94 11-2 94
1	P/N WAS 93-51118-1	R.M. --- 31-8 93
O	FIRST ISSUE	R.M. ---
REV. (REV. LIT.)	REVISIONI (REVISION RECORD)	DIS. (DR)
		E.C.N. DATA (DATE)

CUSTOMER DWG. FOR REFERENCE ONLY **DISEGNO PER CLIENTE SOLO PER RIFERIMENTO**

THIS DRAWING IS UNPUBLISHED RELEASE FOR PUBLICATION 19

© COPYRIGHT 19 BY AMP INCORPORATED, HARRISBURG, PA. ALL INTERNATIONAL RIGHT RESERVED. AMP PRODUCTS MAY BE COVERED BY U.S. AND FOREIGN PATENT AND/OR PATENT PENDING.

TOLLERANZE, SE NON DIVERSAMENTE SPECIFICATO (TOLERANCES, UNLESS OTHERWISE SPECIFIED)	DIAM. ISOLANTE (INS. DIA. RANGE) 1.5-3.0 (REDUCED INS. CABLE)	RANGO FILO (WIRE RANGE) 0.5-2.5 mm ²	SCALA (SCALE) ***
-----------------------------------------------------------------------------------------	------------------------------------------------------------------	----------------------------------------------------	----------------------

± 0.3

ANGOLI (ANGLES) ± 2°

AMP **AMP ITALIA S.p.A.**
Corso F.lli Cervi, 15
COLLEGGNO (TORINO)

DESCRIZIONE (DESCRIPTION)
3 W. SPLASH PROOF CONN. ASS'Y with SPECIAL POLARIZATION

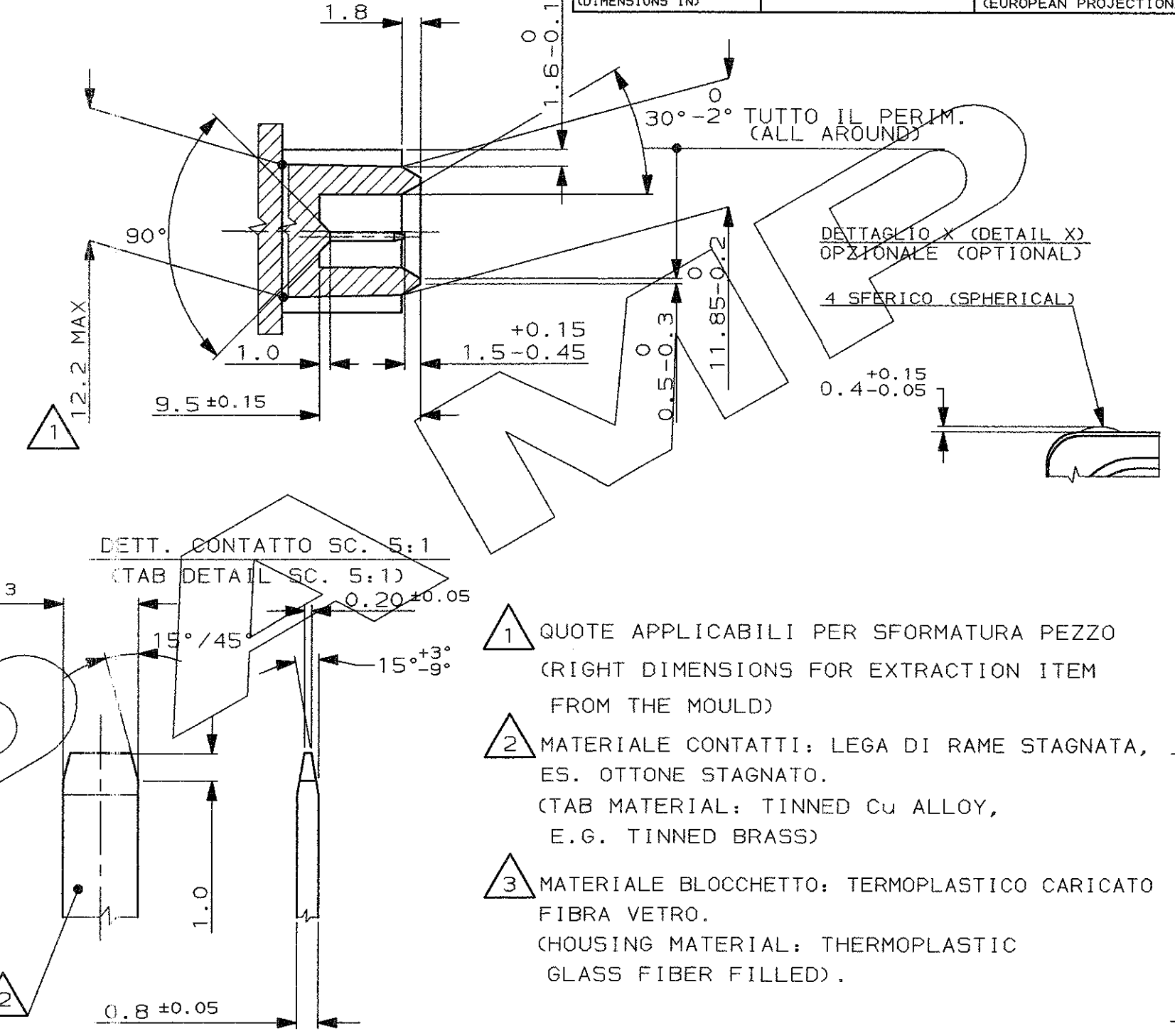
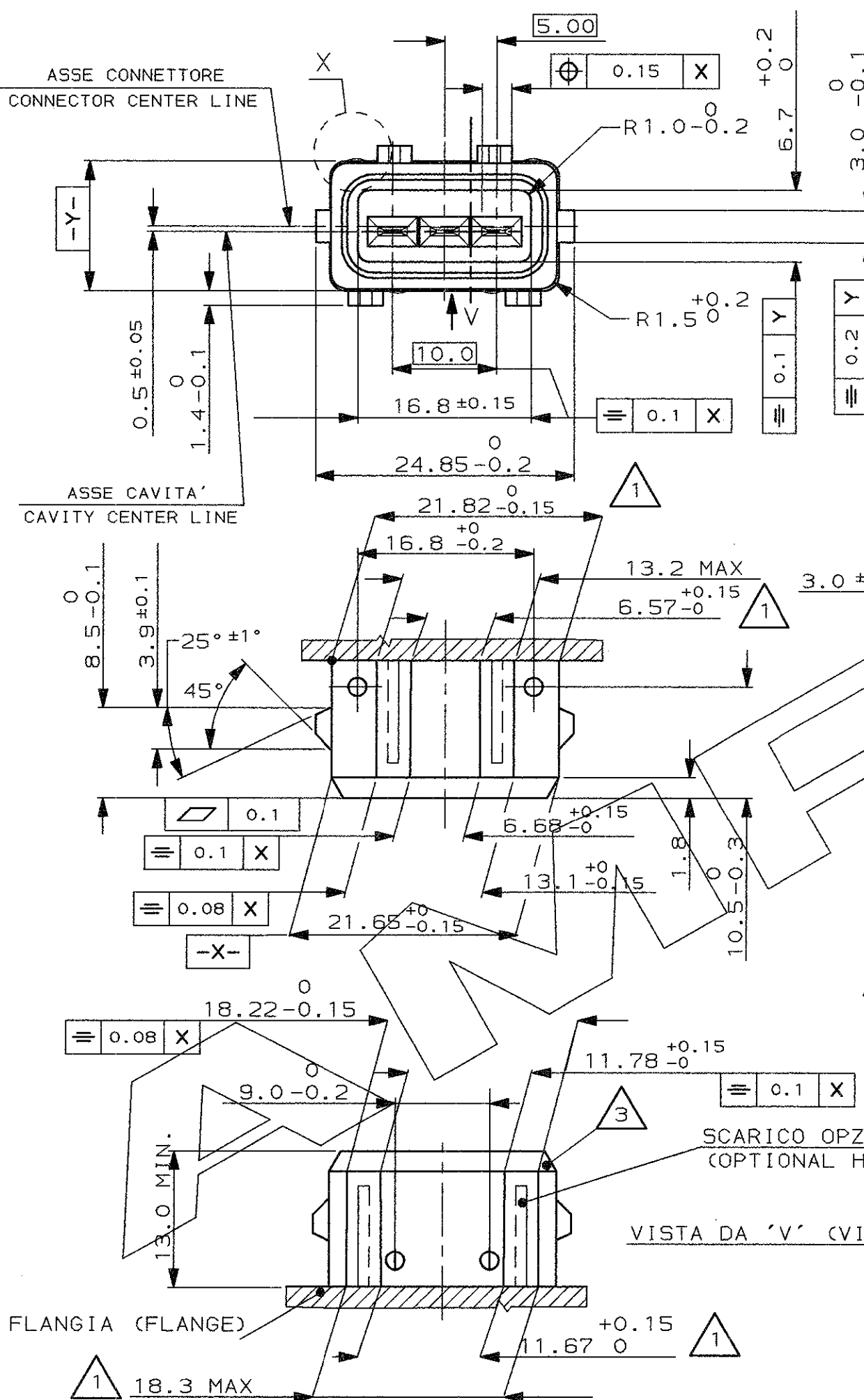
LOC. SIZE (LOC. NO.)	NUMERO (DWG NO.)	REV.	FOGLIO (SHEET)
I A3	C-282545	M	1 DI 2

DISTRIBUZIONE
(PRINT DIST.)

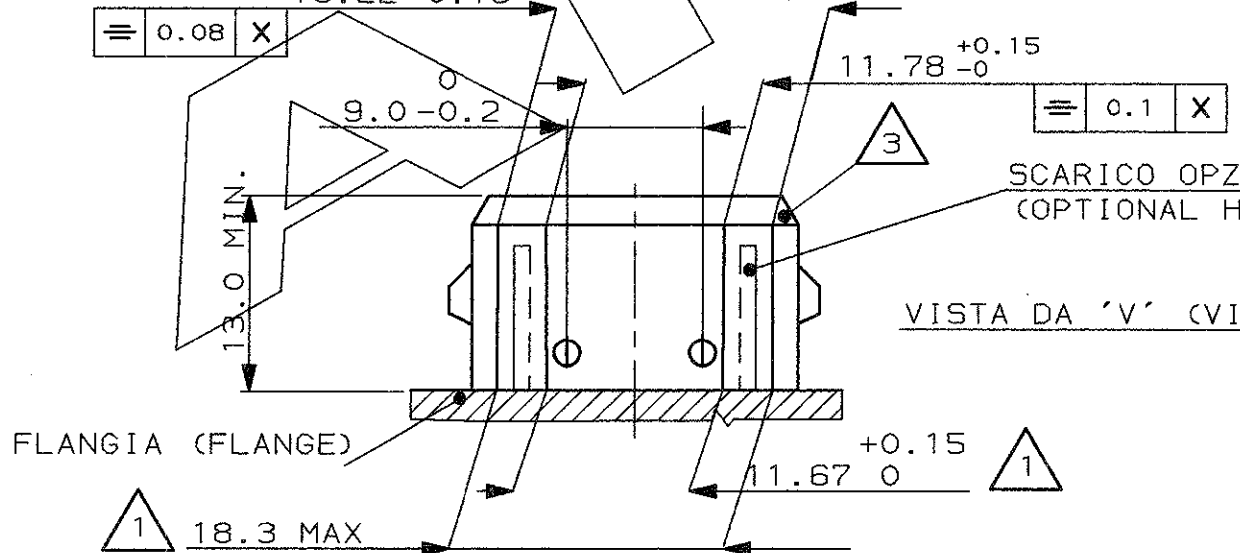
SCALA NON IMPEGNATIVA
(DO NOT SCALE)
DIMENSIONI IN mm
(DIMENSIONS IN IN)

METRIC

PROIEZIONE EUROPEA
(EUROPEAN PROJECTION)



- 1 QUOTE APPLICABILI PER SFORMATURA PEZZO
(RIGHT DIMENSIONS FOR EXTRACTION ITEM FROM THE MOULD)
- 2 MATERIALE CONTATTI: LEGA DI RAME STAGNATA, ES. OTTONE STAGNATO.
(TAB MATERIAL: TINNED CU ALLOY, E.G. TINNED BRASS)
- 3 MATERIALE BLOCCHETTO: TERMOPLASTICO CARICATO FIBRA VETRO.
(HOUSING MATERIAL: THERMOPLASTIC GLASS FIBER FILLED).



FINITURA / COLORE (FINISH / COLOUR)		MATERIALE (MATERIAL)	NUMERO (PART NUMBER)
CUSTOMER DWG. FOR REFERENCE ONLY		DISEGNO PER CLIENTE SOLO PER RIFERIMENTO	
THIS DRAWING IS UNPUBLISHED		RELEASE FOR PUBLICATION	19
© COPYRIGHT 19 BY AMP INCORPORATED, HARRISBURG, PA. ALL INTERNATIONAL RIGHT RESERVED. AMP PRODUCTS MAY BE COVERED BY U.S. AND FOREIGN PATENT AND/OR PATENT PENDING			
TOLLERANZE: SE NON DIVERSAMENTE SPECIFICATO (TOLERANCES: UNLESS OTHERWISE SPECIFIED)	DIAM. ISOLANTE (INS. DIA. RANGE)	RANGO FILO (WIRE RANGE)	SCALA (SCALE)
± 0.3	SEE SHEET 1	SEE SHEET 1	***
ANGOLI (ANGLES)	AMP AMP ITALIA S.p.A. Corso F.lli Cervi, 15 COLLEGNO (TORINO)		
DIS. (DR.)	DESCRIZIONE (DESCRIPTION) 3 W. SPLASH PROOF CONN. ASS'Y WITH SPECIAL POLARIZATION		
CONT. (CHK)	LOC. (LOC)	SIZE (SIZE)	NUMERO (DWG NO)
SEE SHEET 1 OF 2	I A3	C-282545	REV. M
REV. (REV.)	REVISIONI (REVISION RECORD)	DIS. (DR)	DATA (DATE)
			F

DISTRIBUZIONE (PRINT DIST.)