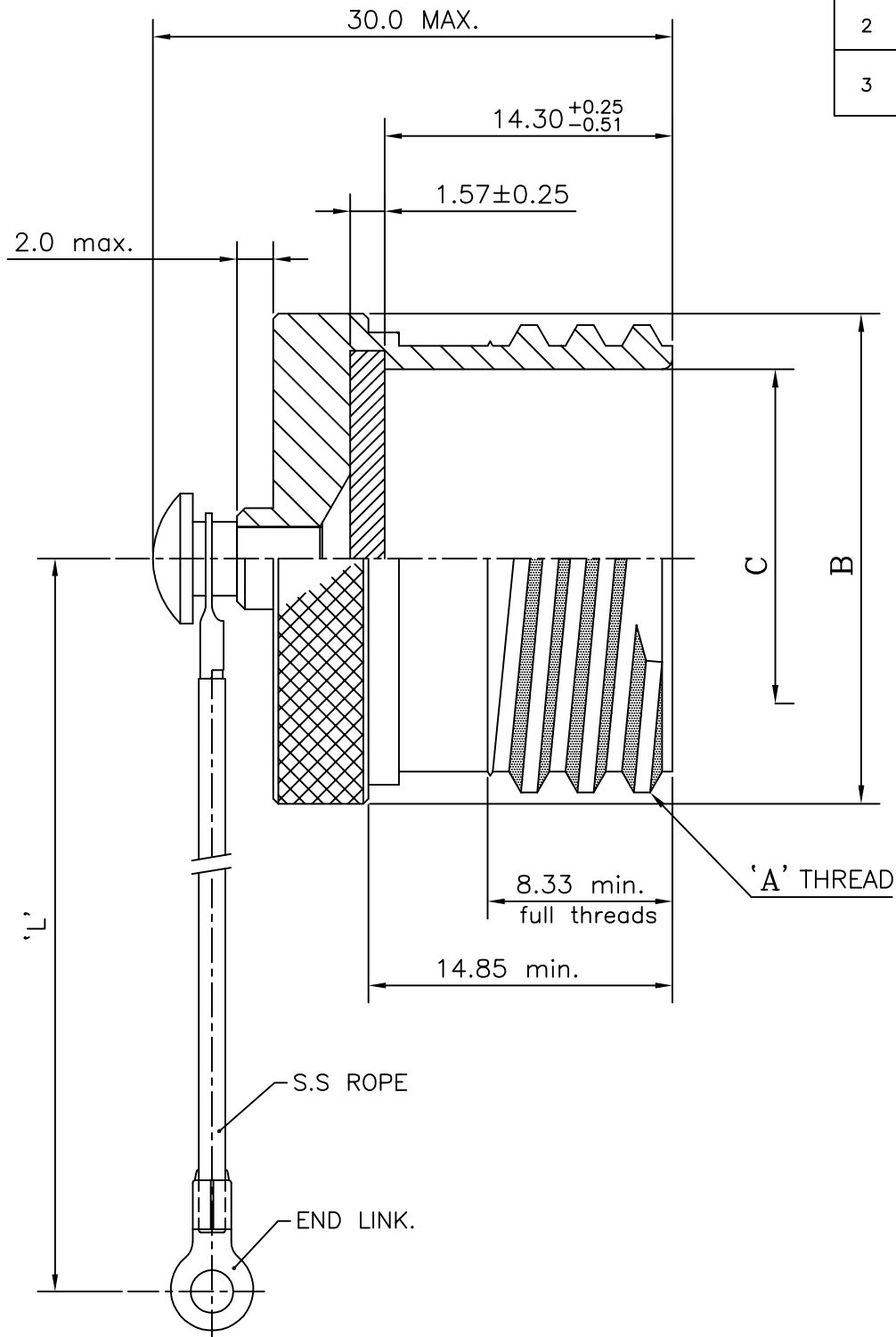
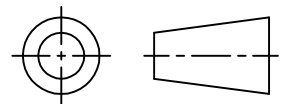


ISSUE NO.	ENG. REF. NO.	DATE	APP. BY
1	-	13/9/11	csmurke
2	-	17/10/14	csmurke
3	-	29/03/16	csmurke



AMPHENOL
Amphenol Interconnect
India Pvt. Ltd.
Pune 411026

TITLE
METAL DUST CAP ASSY.
FOR PLUG (09 TO 25) JAND38999/32



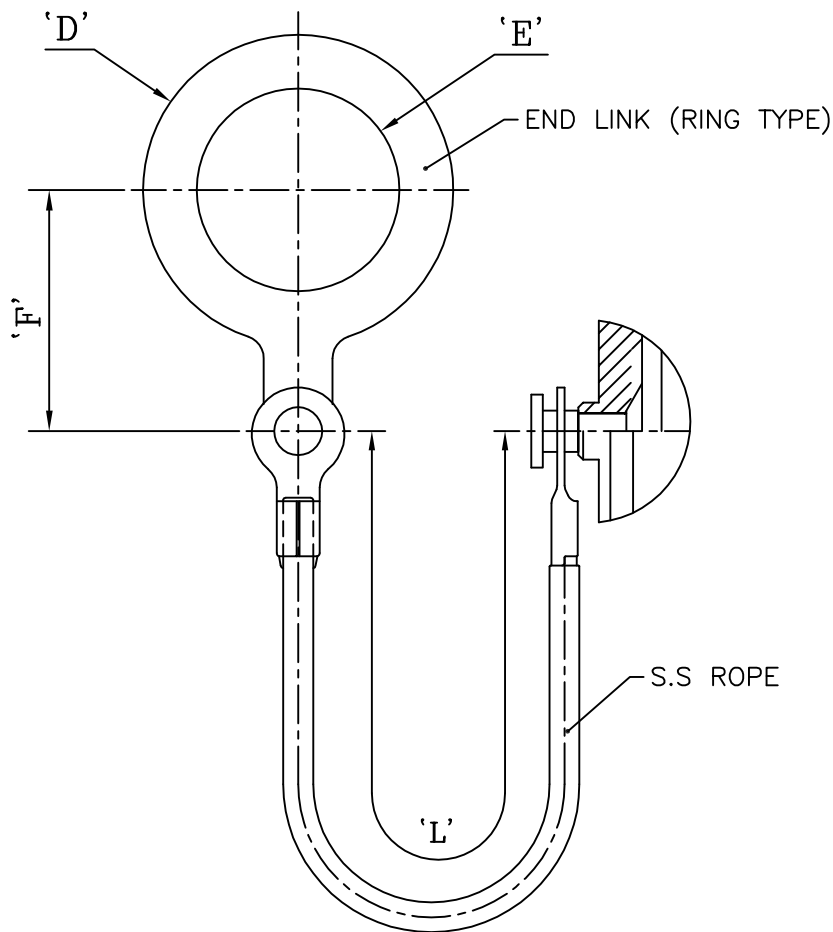
QF-DEV-05 REV-NO. 02	2011	Name	Date
	Drawn by	Kulkarni	12/9/11
	Checked by	PdKumar	13/9/11
	App. by	csmurke	13/9/11

Dwg. Size
A4

Dwg. No.
PSTD-10280

All Dimensions are in
MM/~~INCHES~~

STANDARD



SHELL SIZE	'A' THREAD-2A -0.1P-0.3L-TS	ϕB +0.0 -0.30	'C' +0.0 -0.15	ϕD max	ϕE min	'F'	'L' +13.0 -7.0
09	0.625"	17.20	12.50	24.0	13.0	24.0\14.5	127.0
11	0.750"	20.50	15.75	27.0	18.0	20.5\18.0	
13	0.875"	24.30	19.53	30.0	20.0	27.0\20.0	
15	1.000"	27.40	22.71	31.0	23.0	22.5\18.0	
17	1.1875"	30.60	25.88	37.0	26.0	30.5\23.5	
19	1.250"	33.25	28.55	40.0	29.0	31.5\25.0	
21	1.375"	36.40	31.72	44.0	32.0	33.0\26.5	
23	1.500"	39.70	34.90	46.0	34.0	34.0\27.5	
25	1.625"	42.80	38.07	49.0	39.0	38.0\30.0	

Notes: 1) Dim's are in mmm. except "A threads" which are in inches.
2) Method of attachment to cover and or ring is optional.

AMPHENOL Amphenol Interconnect India Pvt. Ltd. Pune 411026			TITLE METAL DUST CAP ASSY. FOR PLUG (09 TO 25) JAND38999/32			
QF-DEV-05 REV-NO. 02	2011	Name	Date	Dwg. Size	Dwg. No. PSTD-10280	All Dimensions are in MM/ INCHES
	Drawn by	<i>Kulkarni</i>	12/9/11	A4		
	Checked by	<i>PdKumar</i>	13/9/11		Sheet 2 of 4	STANDARD
App. by	<i>csmurke</i>	13/9/11				

REQUIREMENTS:

MATERIAL :-

Cover : Machined Aluminium alloy

Gasket : Silicone elastomer.

Ring : Corrosion resistant steel, passivated.

Rope : Stainless steel teflon coated.

Insulation shall withstand 200°C environment.

Fastener : Stainless steel, passivated.

Option : Aluminium intgral to cover.

MATING CONNECTOR: MIL-DTL-38999, series III.

Gasket shall be mechanically retained.

Rope shall rotate freely on fastener.

Fastener tensile strength: Both axial and longitudinal directions shall be 25 pounds. The load shall be applied to the end of rope.

ORDERING INFORMATION:

JAND38999/32 W 15 R

Designates plug cover

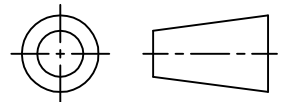
Class:-
 W - Al. alloy 500 Hrs cadmium olive drab.
 F - Al. alloy 48 Hrs. electroless nickel.
 Z - Black Zinc Nickel finish.

Shell size:- 09,11,13,15,17,19,21,23 & 25

Style:-
 N - With s.s rope & ring.
 R - With s.s. rope.

AMPHENOL
 Amphenol Interconnect
 India Pvt. Ltd.
 Pune 411026

TITLE
METAL DUST CAP ASSY.
 FOR PLUG (09 TO 25) JAND38999/32



QF-DEV-05
 REV-NO. 02

2011	Name	Date
Drawn by	<i>Kulkarni</i>	12/9/11
Checked by	<i>P.S. Kumar</i>	13/9/11
App. by	<i>asmurke</i>	13/9/11

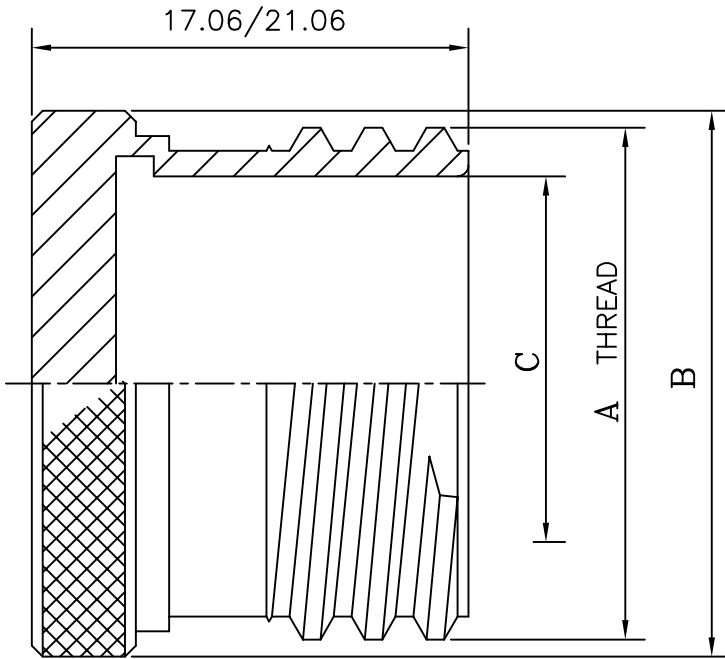
Dwg. Size
A4

Dwg. No.
PSTD-10280
 Sheet 3 of 4

All Dimensions are in
 MM/~~INCHES~~

STANDARD

V3 - NO SEALING GASKET.



SHELL SIZE	'A' THREAD-2A -0.1P-0.3L-TS	ØB +0 -0.30	'C' +0.00 -0.15
09	0.625"	17.20	12.50
11	0.750"	20.50	15.75
13	0.875"	24.30	19.53
15	1.000"	27.40	22.71
17	1.1875"	30.60	25.88
19	1.250"	33.25	28.55
21	1.375"	36.40	31.72
23	1.500"	39.70	34.90
25	1.625"	42.80	38.07

REQUIREMENTS:

MATERIAL :

Cover : Machined Aluminium alloy

MATING CONNECTOR: MIL-DTL-38999, series III. Plug.

ORDERING INFORMATION:

ITV32V3 - 09 - A

Designates plug cover

Shell size : 09,11,13,15,17,19,21,23 & 25

Class
 A - Hard anodic
 W - Aluminium, 500 Hrs cadmium olive drab.
 J - Composite, cadmium olive drab.
 M - Composite electroless nickel.
 F - Aluminium, 48 Hrs. electroless nickel.
 EB - Zinc cobalt olive drab
 T - Nickel PTFE finish.

AMPHENOL Amphenol Interconnect India Pvt. Ltd. Pune 411026			TITLE METAL DUST CAP ASSY. FOR SER-III PLUG (09 TO 25)		
QF-DEV-05 REV-NO. 02	2014	Name	Date	Dwg. Size	PSTD-10280
	Drawn by	Mandar	17/10/14	A4	
	Checked by	R.Senthil	17/10/14		Sheet 4 of 4
App. by	C.S. Murke	17/10/14	All Dimensions are in MM/ INCHES		STANDARD