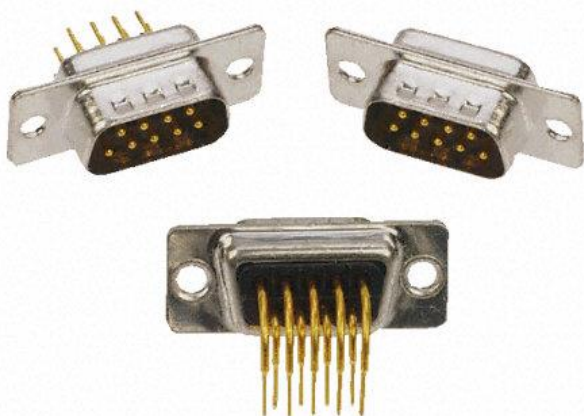


Datasheet

2.77mm Pitch 15 Way Straight Through Hole Mount PCB D-sub Connector, Plug

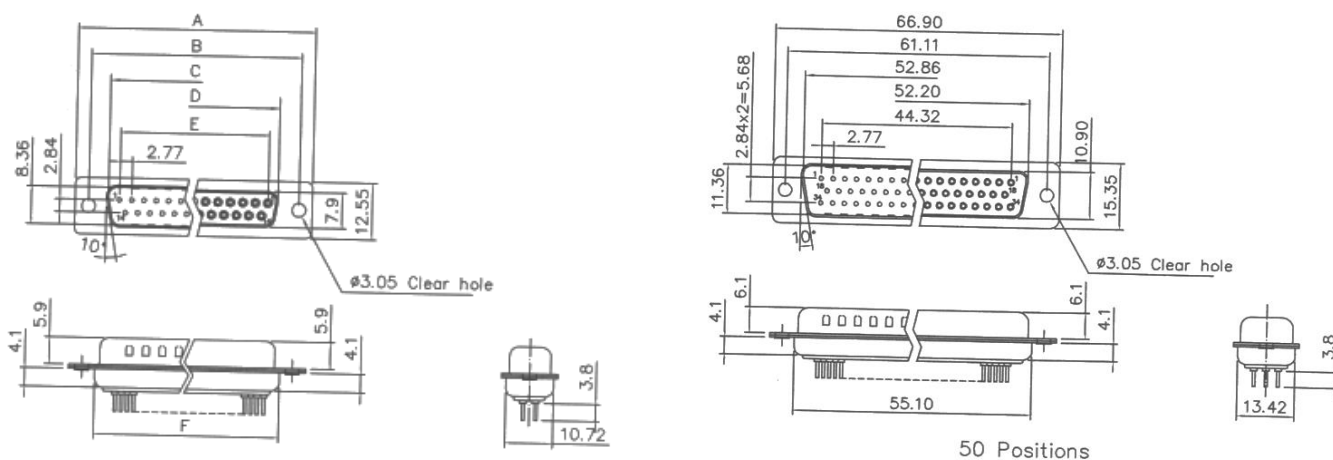
RS Stock number 528-3547



Dimensions

| Positions | A | B | C | D | E | F |
|-----------|-------|-------|-------|-------|-------|-------|
| 9 | 30.81 | 24.99 | 16.92 | 16.33 | 11.08 | 19.20 |
| 15 | 39.14 | 33.32 | 25.50 | 24.66 | 19.39 | 27.70 |
| 25 | 53.04 | 47.04 | 38.96 | 38.38 | 33.24 | 41.10 |
| 37 | 69.32 | 63.50 | 55.42 | 54.84 | 49.86 | 57.30 |

Dimensions: (mm)



Specification

- Insulator Glass – Filled Thermoplastic PBT UL94V-0
- Contact: Turned Copper Alloy
- Shell: Steel, 100u" tin over 50u" min Nickel
- Contact Resistance: 10 milliohms Max at 1 Amp DC
- Insulation Resistance: 1000 megohms at 500 VDC
- Dielectric Withstanding Voltage: 1000 VAC/ rms 60Hz for 1 minute
- Current Rating: 5 Amp all contacts simultaneously
- Voltage Rating: 250 VAC/rms 60Hz
- Temperature Range: -55°C to 125°C
- Contact Type: Machine Pin
- Contact Plating: Gold plated over Nickel