



Brand of NTN Group

Technical data

EXF310

Bearing units

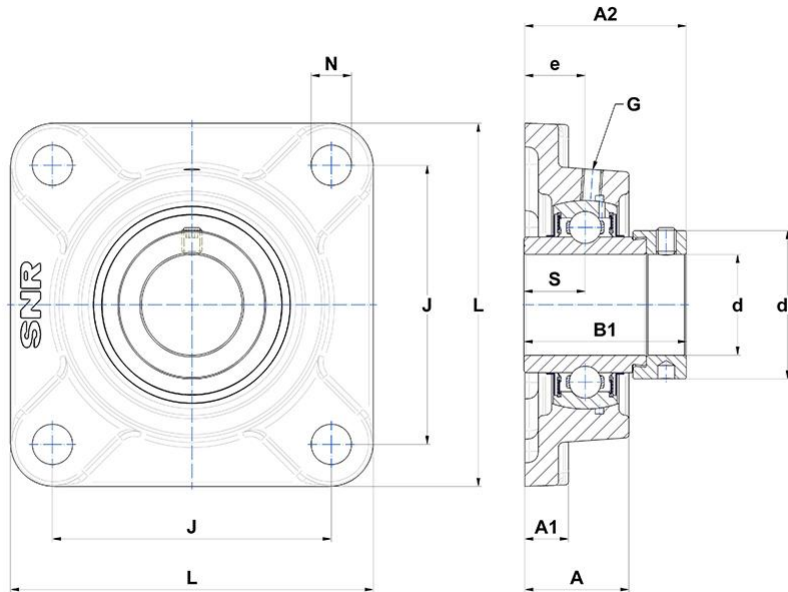


Grey cast housing, radial insert ball bearing with eccentric locking collar, seal with slinger

KIT CONTENT

EX310G2, F310

VISUAL (S)



PRODUCT DEFINITION

Brand	SNR
A - Housing height	48 mm
A1 - Housing foot height / flange height	20 mm
A2 - Total height from mounting surface	70 mm
B - Width of Inner Ring	49,2 mm
B1 - Overall width Inner Ring	66,6 mm



NTN Europe

1 rue des Usines · BP 2017 · 74010 Annecy Cedex · France · Tel. +33 (0)4 50 65 30 00
S.A. au capital de 322 639 919 € · RCS ANNECY B 325 821 072 · Id. Fiscale : FR 48 325 821 072
SIRET 325 821 072 00015 · Code APE 2815 Z · Code NACE 28.15

PRODUCT DEFINITION

d - Shaft diameter	50 mm
d1 - Outer dia of eccent. Lock. collar / nut of adapter sleeve	76,2 mm
e - Distance mounting surface to bearing center	28 mm
G - Grease fitting	M6x1
J - Mounting holes distance	132 mm
L - Housing width / diameter	175 mm
N - Mounting hole dimension	23 mm
S - Distance front side/bearing centre	24,6 mm

PRODUCT PERFORMANCE

C - Dynamic load rating	62000000 mN
C0 - Static load rating	37800000 mN
Operating temperature min.	253,15 °K
Operating temperature max.	373,15 °K

OTHER FEATURES

Mass	4,56 kg
Recommended tightening torque for set screw	22 N-m

