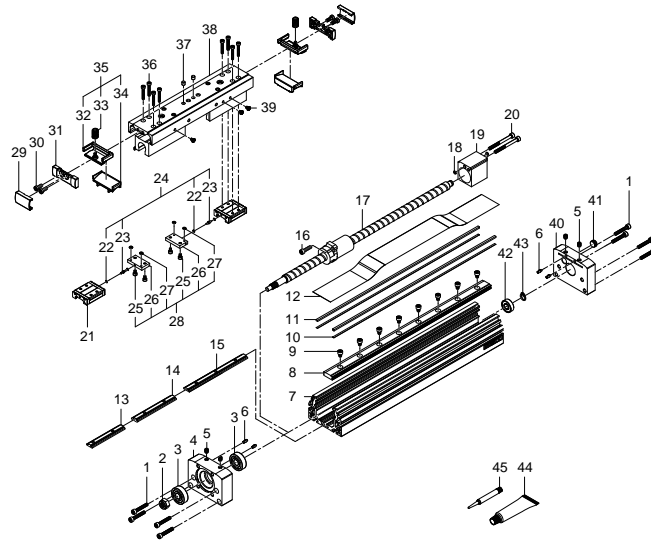


8041822 ELGA-BS-KF-80-100-0H-10P-ML Ball screw axis - Series: All



8041822 ELGA-BS-KF-80-100-0H-10P-ML Ball screw axis - Series: All

Pos.	Part no.	Type	Note	Qty.	Unit
A	739507	EGC/ELGA-80-BS ET Bearing module	Spare parts: 2, 3, 18, 42, 43	1	PC
1	200675	ISO 4762-M5X30-8.8 Socket head screw	Tightening torque 5 Nm / 3.7 lbf ft Use locking compound. See position 45	8	PC
2	717739	GUK 10X0,75 Grooved nut		1	PC
3		DIN 628-7200-B-2RS Angular ball bearing	Not available separately, see position A	2	PC
4	2572971	ELGA-BS-KF-80 clevis foot		1	PC
5	204495	ISO 4028-M6X8-45H Threaded pin	Tightening torque 2 Nm / 1.5 lbf ft	4	PC
6	686823	4,7X7,5 Buffer element		4	PC
7		ELGA-BS-KF-80 Cylinder barrel	Not available	1	PC
8		ELGA-BS-KF-80 Roller track	Not available	1	PC
9	8030874	ISO 4762-M4X7-12.9 Socket head screw	Tightening torque 4.5 Nm / 3.3 lbf ft Use locking compound. See position 45	1	PC
10	4171246	ELGA-TB-KF Adhesive tape		25	M
11	8040752	2X3X10000 Magnetic tape	Attention! Length 10 meter	1	PC
12	8040789	ELGA-YA-BS-KF-80- - Cover strip	When ordering please specify the configuration (see type plate)	1	PC
13	652565	DGEA- 18-....-ZR Slot nut		2	PC
14	652564	DGEA- 18-....-ZR Slot nut		1	PC
15	652563	DGEA- 18-....-ZR Slot nut		1	PC
16	200673	ISO 4762-M5X22-10.9 Socket head screw	Tightening torque 5 Nm / 3.7 lbf ft Use locking compound. See position 45	1	PC
17	8040719	ELGA-YB-BS-KF-80- - Spindle module	When ordering please specify the configuration (see type plate)	1	PC
18	711161	3X1-N-NBR70 O-ring		4	PC
19	2947664	ELGA-BS-KF-80 Retainer module		1	PC
20	371536	ISO 4762-M5X45-10.9 Socket head screw	Tightening torque 3.5 Nm / 2.6 lbf ft Use locking compound. See position 45	2	PC
21	716520	EGC-80-KF-GK/GV Roller carriage	Attention! It is essential that the information in the repair manual be closely observed! Grease using during assembly. See position 44	1	PC
22	200900	B-1,5X1-N-NBR70 O-ring ISO3601		4	PC
23		ELGA-TB-KF-70/80 Oil duct	Not available separately, see position 24	2	PC
24	8049975	ELGA-...-KF-70/80 Oil duct		1	PC
25		ISO 4762-M3X5-8.8 Socket head screw	Not available separately, see position 28 Tightening torque 1.5 Nm / 1.1 lbf ft	4	PC
26		ELGA-BS-KF-80 Lubricating head module	Not available separately, see position 28	2	PC

Pos.	Part no.	Type	Note	Qty.	Unit
27		3X1-N-NBR70 O-ring	Not available separately, see position 28	4	PC
28	8063433	ELGA-...-KF-80 Lubricating head module		1	PC
29	1205680	ELGA-TB-G-80 Clip		2	PC
30	693650	DIN 6912-M4X6-A2-70 Socket head screw	Tightening torque 1.2 Nm / 0.9 lbf ft Use locking compound. See position 45	4	PC
31	1205678	ELGA-TB-G-80 Cover		2	PC
32		ELGA-TB-G-80 Belt reversal	Not available separately, see position 35	2	PC
33		VADM-... Compression spring	Not available separately, see position 35	2	PC
34		ELGA-TB-G-80 Belt reversal	Not available separately, see position 35	2	PC
35	1202754	ELGA-TB-G-80 Belt reversal		2	PC
36	762533	ISO 4762-M3X25-12.9 Socket head screw	Tightening torque 1.5 Nm / 1.1 lbf ft Use locking compound. See position 45	8	PC
37	8137184	ZBH-9-B Centring sleeve		2	PC
38	2857831	ELGA-BS-KF-80 Slide module	No longer available. Please order from product series JN the components with position nos. 35+36+37. Grease using during assembly. See position 44	1	PC
39		D1 M3 Lubrication nipple	Not available Tightening torque 0.5 Nm / 0.4 lbf ft	3	PC
40	2572967	ELGA-BS-KF-80 Bearing cap		1	PC
41		G1/8-AL-SA Sealing plug	Not available	1	PC
42		D616-698-2RS Deep groove ball bearing	Not available separately, see position A	1	PC
43	200617	DIN 471-8X0,8 Retaining ring		1	PC
44	684474	LUB-KC1 SILIKONFREI 20ML Lubricating grease		1	PC
45	8181256	CYBERBOND TM44 TB1ML Adhesive bonding agent		1	PC