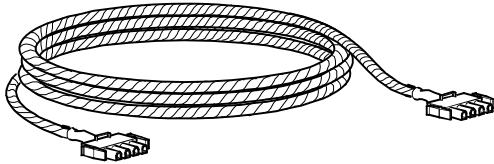
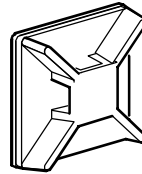


# NetBotz<sup>®</sup> Rope Leak Sensor (NBES0308) Installation Instructions

## Inventory



6.1-m (20-ft) rope leak sensor (1)



Adhesive cable tie holder (18)



4.6-m (15-ft) CAT-5 cable



203-mm (8-in) tie wrap (18)



Rope sensor cable adapter (1)

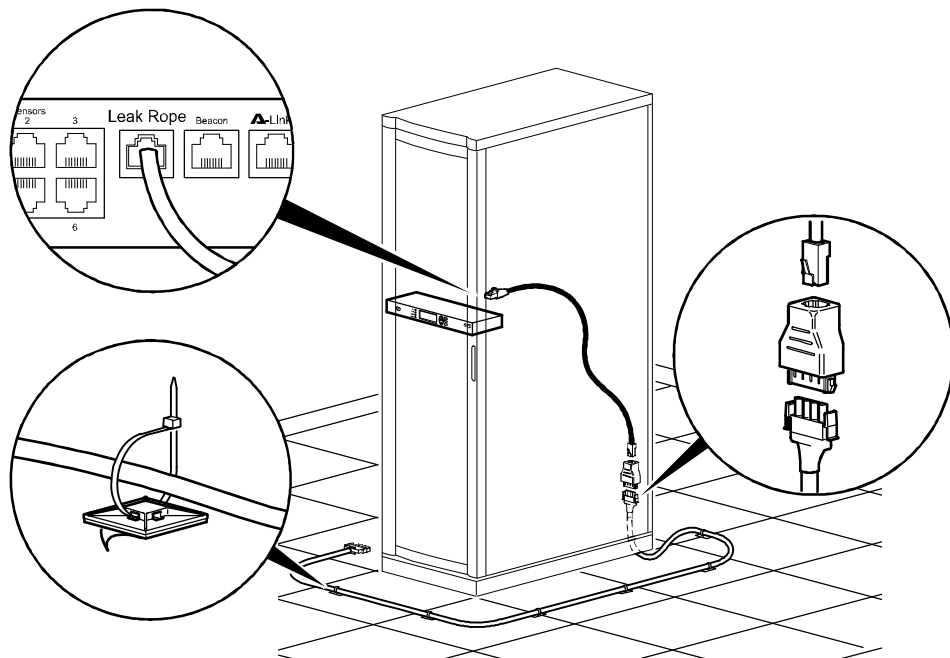
## Installation



**Caution:** Use the Rope Leak Sensor with a NetBotz Rack Monitor 450 or NetBotz Rack Monitor 550 only. Make sure you connect the sensor to the appliance as shown.



**Note:** You can extend the total length of the Rope Leak Sensor up to 30.5 m (100 ft) using NetBotz 6.1-m (20-ft) Rope Leak Sensor Extensions (NBES0309).



Customer support and warranty information is available at the APC Web site, [www.apc.com](http://www.apc.com).

© 2008 American Power Conversion. All rights reserved. All APC trademarks are property of American Power Conversion. Other trademarks are property of their respective owners.

990-3374

5/08

